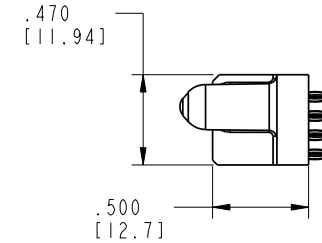
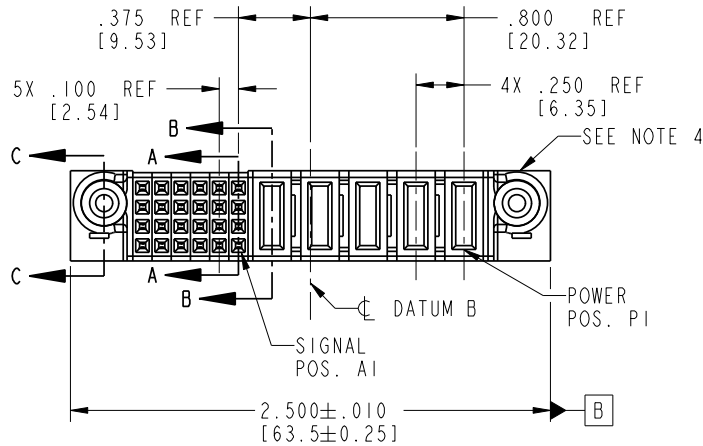


Tous droits strictement reserves. Reproduction ou communication a des tiers interdite sous quelque forme que ce soit sans autorisation ecrite du proprietaire. Propriete de c FCI. Droits de reproduction FCI.

All rights strictly reserved. Reproduction or issue to third parties in any form whatever is not permitted without written authority from the proprietor. Property of FCI. Copyright FCI.



PRODUCT NO.	ROWS	SIGNAL					POWER															
		E2	6	5	4	3	2	1	P5	P4	P3	P2	P1	E1								
51752-021-- NOTE ③	D C B A		F	F	F	F	F	F	F	F	F	F	F	F	F	F	F	F	F	F	F	



CODE	DIM "M" MATING LENGTH	CONTACT TYPE
PF	.092 [2.34]	POWER
F	N/A [N/A]	SIGNAL
PC	.042 [1.07]	POWER

mat'l code				SEE NOTE 2		tolerances unless otherwise specified		CUSTOMER		FCI	
lir	ecn no.	dr	date	linear	.XX±.01/0.X±0.3	projection		www.fciconnect.com			
A	DG06-0119	JMG	03/20/06		.XXY±.005/0.XX±0.13	MM		title 5P + 24S VERTICAL PF RECEPT			
B	DG06-0155	JMG	04/06/06	angles	.XXX±.0020/0.XXX±0.051	scale 1:1		product family PwrBlade		code 213	
				dr	JM GUO 03/20/06			size A		sheet 1 of 4	
				enrg	SLUO 03/20/06			dwg no 51752-021			
				chr	BEER FU 03/20/06						
				appd	JOSEPH HSIA 03/20/06						
sheet index	revision sheet	B 1	B 2	B 3	B 4						

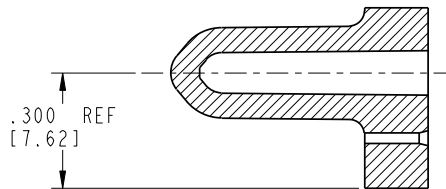
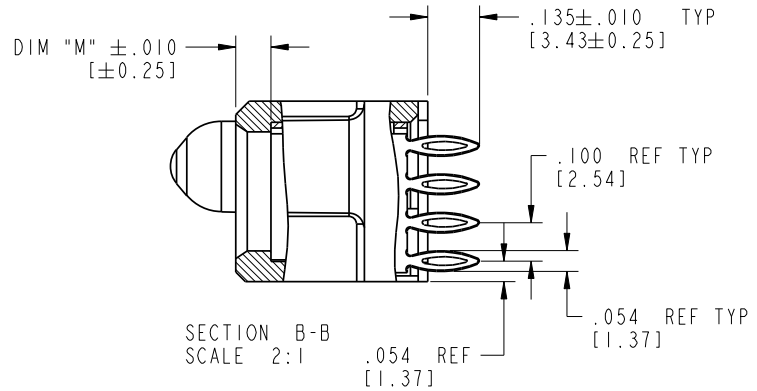
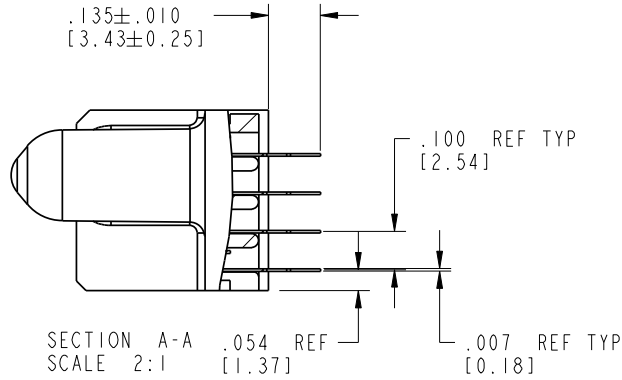
Tous droits strictement reserves. Reproduction ou communication a des tiers interdite sous quelque forme que ce soit sans autorisation ecrite du proprietaire. Propriete de c FCI. Droits de reproduction FCI.

All rights strictly reserved. Reproduction or issue to third parties in any form whatever is not permitted without written authority from the proprietor. Property of FCI. Copyright FCI.



PRODUCT NUMBER

51752-021--
NOTE ③



mol'l code				SEE NOTE 2		tolerances unless otherwise specified		CUSTOMER		 www.fciconnect.com	
lir	ecn no.	dr	date	linear	.XX±.01/0.X±0.3		COPY		title		
B					.XXY±.005/0.XX±0.13		projection		5P + 24S		
					.XXX±.0020/0.XXX±0.051				VERTICAL PF RECEPT		
				angles	0°±2°				product family		code
				dr	JM GUO	03/20/06	scale		PwrBlade		213
				enr	SLUO	03/20/06	1:1		size	dwg no	sheet
				chr	BEER FU	03/20/06			A	51752-021	2 of 4
				appd	JOSEPH HSIA	03/20/06					
sheet index	revision sheet										

cage code 28556

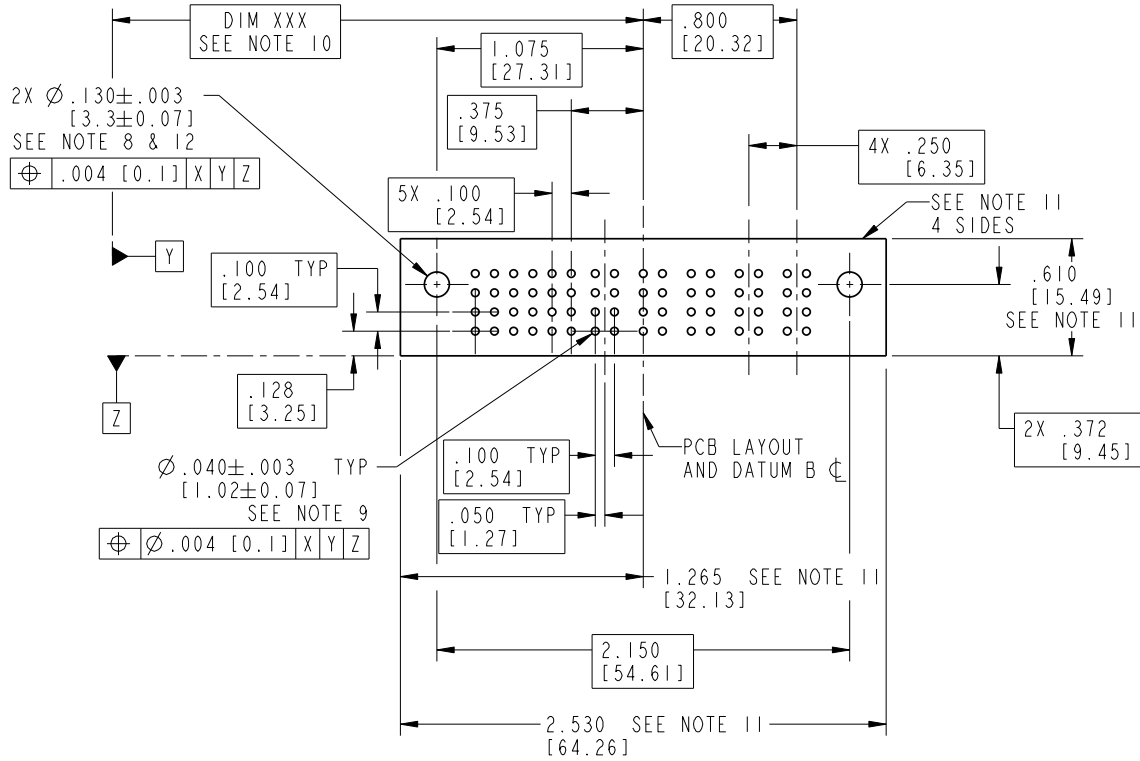
Tous droits strictement réservés. Reproduction ou communication à des tiers interdite sous quelque forme que ce soit sans autorisation écrite du propriétaire. Propriété de c.FCI. Droits de reproduction FCI.

All rights strictly reserved. Reproduction or issue to third parties in any form whatever is not permitted without written authority from the proprietor. Property of FCI. Copyright FCI.



PRODUCT NUMBER

51752-021--
NOTE ③



mol'l code		SEE NOTE 2		tolerances unless otherwise specified		CUSTOMER		www.fciconnect.com	
lir	ecn no.	dr	date	linear	.XX±.01/0.X±0.3	COPY		title	
B				linear	.XX±.005/0.XX±0.13	projection		5P + 24S	
				angles	.XXX±.0020/0.XXX±0.051			VERTICAL PF RECEIPT	
				dr	JM GUO 03/20/06	MM		product family	
				enr	SLUO 03/20/06	scale		PwrBlade	
				chr	BEER FU 03/20/06	1:1		code	
				appd	JOSEPH HSIA 03/20/06			213	
sheet index	revision sheet							size	
								A 51752-021	
								sheet	
								3 of 4	

cage code 2856

Tous droits strictement reserves. Reproduction ou communication a des tiers interdite sous quelque forme que ce soit sans autorisation ecrite du proprietaire. Propriete de c FCI. Droits de reproduction FCI.

All rights strictly reserved. Reproduction or issue to third parties in any form whatever is not permitted without written authority from the proprietor. Property of FCI. Copyright FCI.



1 | 2

3 |

4

PRODUCT NUMBER

51752-021--
NOTE ③

NOTES:

1. DIMENSIONS AND TOLERANCES ARE IN ACCORDANCE WITH ASME Y14.5M, 1994 UNLESS OTHERWISE SPECIFIED.

CONNECTOR NOTES:

- ② HOUSING MATERIAL: UL 94 V-0 GLASS FILLED
HIGH-TEMP THERMOPLASTIC
POWER CONTACT MATERIAL: COPPER ALLOY
SIGNAL PIN MATERIAL: COPPER ALLOY
- 3. PLATING SPEC.
51752-021,51752-021LF PLATING SPEC. WAS SHOWN IN THE PRINT OF 10064183.
- ④ MANUFACTURER'S NAME, P/N, AND DATE CODE TO APPEAR ON THIS SURFACE.
- 5. PRODUCT SPECIFICATION GS-12-149.
APPLICATION SPECIFICATION BUS-20-067.
- 6. PACKAGED IN TRAYS.

PCB NOTES:

- 7. ALL HOLE DIAMETERS ARE FINISHED HOLE SIZE.
- ⑧ MOUNTING HOLES, WHERE APPLICABLE, ARE UNPLATED.
- ⑨ $\varnothing .0453 \pm .0010$ [1.151 \pm 0.025] DRILLED HOLES PLATED WITH .0003 [0.008] MIN SnPb OVER .001 [0.03] TO .003 [0.08] Cu PLATING TO ACHIEVE $\varnothing .040 \pm .003$ [1.02 \pm .07] HOLE.
- ⑩ "DIM XXX" TO BE DETERMINED BY THE CUSTOMER.
- ⑪ CONNECTOR KEEP-OUT ZONE.
- 12. RECOMMENDED RETENTION TO PCB
 $\varnothing .13$ [3.3] THRU HOLE FOR #5 SOCKET HEAD CAP SCREW
MAX. HEAD .205 [5.21] RECOMMENDED SCREW LENGTH 12mm [.472] + PCB THICKNESS.
RECOMMENDED SCREW SEATING TO PCB TORQUE: 2-5 lbf-in (2300-5760 gf-cm).

mol'l code				SEE NOTE 2		tolerances unless otherwise specified		CUSTOMER		 www.fciconnect.com	
lir	ecn no.	dr	date	linear	.XX \pm .01 / 0.X \pm 0.3		projection	COPY		title	
B					.XXX \pm .005 / 0.XX \pm 0.13			5P + 24S		VERTICAL PF RECEPT	
				angles	.XXX \pm .0020 / 0.XXX \pm 0.051		 MM	product family		code	
					$0^\circ + 2^\circ$			PwrBlade		213	
				dr	JM GUO	03/20/06	scale	size		sheet	
				enrg	SLUO	03/20/06		A		4 of 4	
				chr	BEER FU	03/20/06		51752-021			
				appd	JOSEPH HSIA	03/20/06					
sheet index	revision sheet										

1 | 2

Pro/E

PDM: Rev: B

STAT US: Released

Printed: Dec 20, 2010