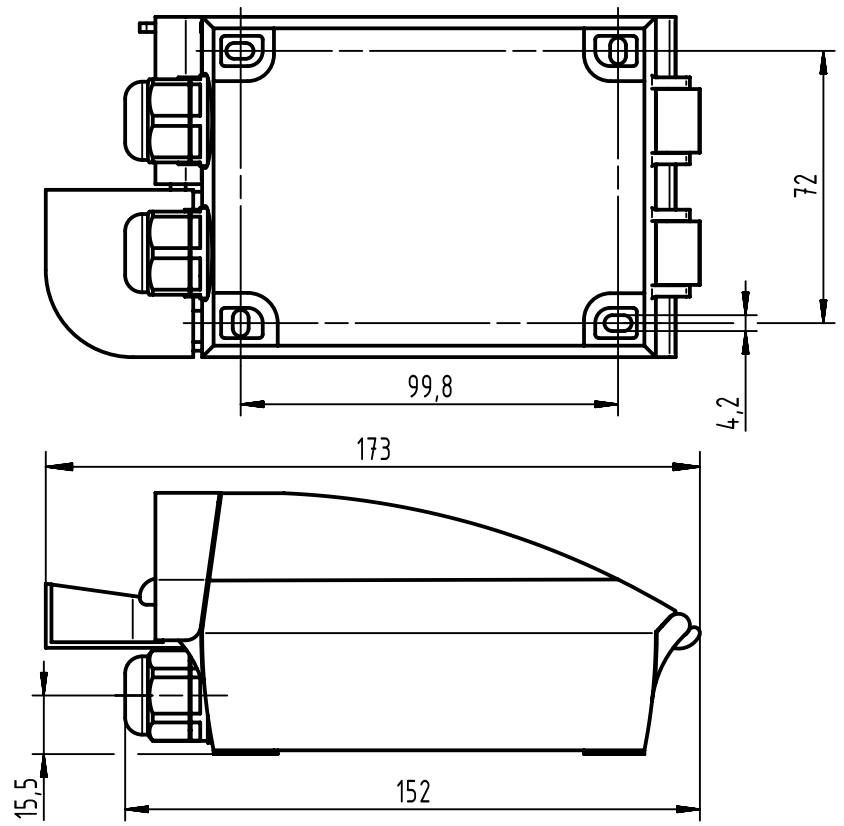


A

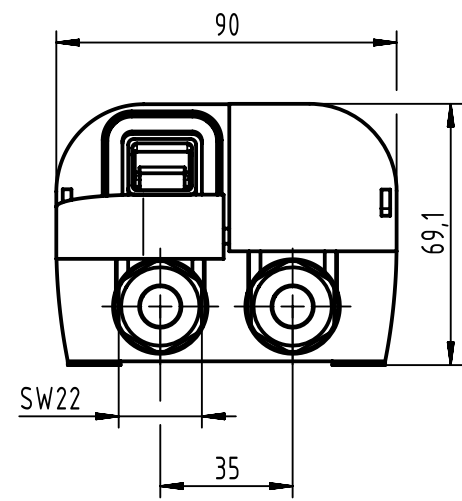
B

C

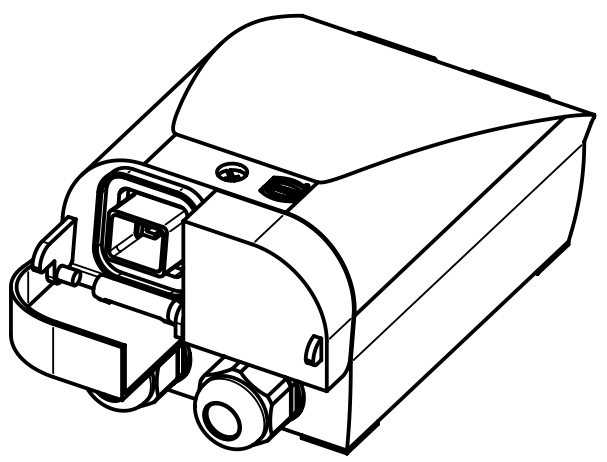
D



- Included in delivery:
1. 2x RJ45 jack
 2. 1x assembly instruction
 3. drilling template
 4. blind grommet



For cable diameter 6-9mm, AWG 22-24



	All rights reserved Department EC PD - DE	All Dimensions in mm Original Size DIN A4			Scale 1:2	Free size tol.	Ref. Sub.
		Created by DRAGHICI	Inspected by WELLMANN	Standardisation HOFFMANN	Date 2013-09-12	State Final Release	
HARTING Electronics GmbH D-32339 Espelkamp		Title RJ Industrial PushPull Outlet				Doc-Key / ECM-Nr. 100198441/UGD/000/A 500000066287	
		Type TB	Number 09458451500			Rev. A	Page 1/1