

DRAWING MADE IN THIRD ANGLE PROJECTION

THIS DRAWING IS UNPUBLISHED. RELEASED FOR PUBLICATION

© COPYRIGHT 19

BY AMP INCORPORATED. ALL INTERNATIONAL RIGHTS RESERVED.

19

MOD 23
LOC BD
DIST 39

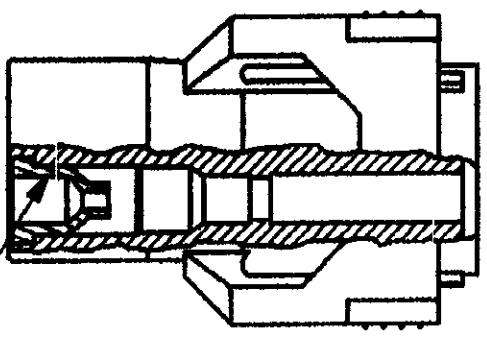
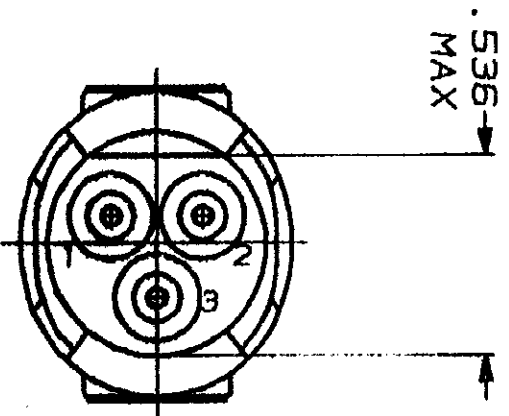
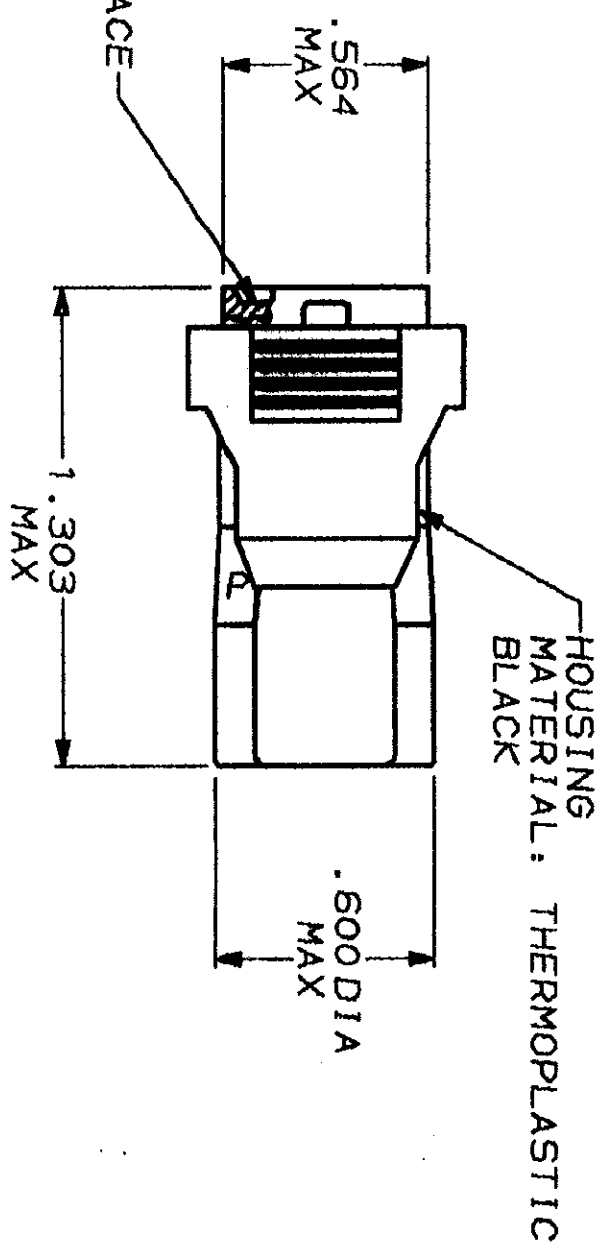
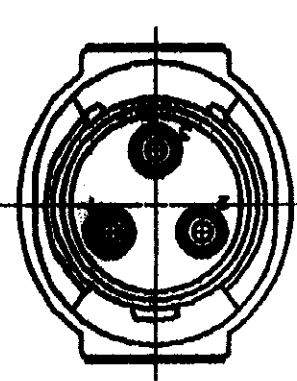
REV	DATE	APPRO	DESCRIPTION
1	8-21-90	KJ	REDRAWN AND REV PER ECN BD4183

4

3

2

1



DISCRETE WIRE SEALS
MATERIAL: ELASTOMER
BLACK

1. WIRE INSULATION SEALING RANGE .070-.130 DIA.
2. THIN MEMBRANE PERMISSIBLE ON SMALL DIAMETER OF WIRE SEALS.

207567-1
PART NUMBER

DO NOT SCALE PRINT. DIMENSIONS SPECIFIED IN INCHES. TOLERANCES ON DIMENSIONS:		DOR B-21-90		NAME	
1 P.C. DEC #	2 P.C. DEC #	3 P.C. DEC #	4 P.C. DEC #	5 P.C. DEC #	6 P.C. DEC #
---	---	---	---	---	---
MATERIAL: SEE CALLOUT		CHK J. Gallucci BS		AMP INCORPORATED	
FINISH: ---		APPD H. B. B. 7-18-91		Hart-Liburg, Pa. 17105	
WEIGHT: ---		PRODUCT SPEC: ---		PLUG, 3 POSITION, STANDARD CIRCULAR SEALED CONNECTOR	
SCALE 2:1		SIZE B		DRAWING NO 207567	
SHEET 1 OF 1		FOOT NO 00779		PART NO 207567	

AMP 1470-15 REV 3-89
06 NOV 1990 11:27:42 AMPT084

AMERICAN INTERNATIONAL BUSINESS MACHINES

CUSTOMER DRAWING