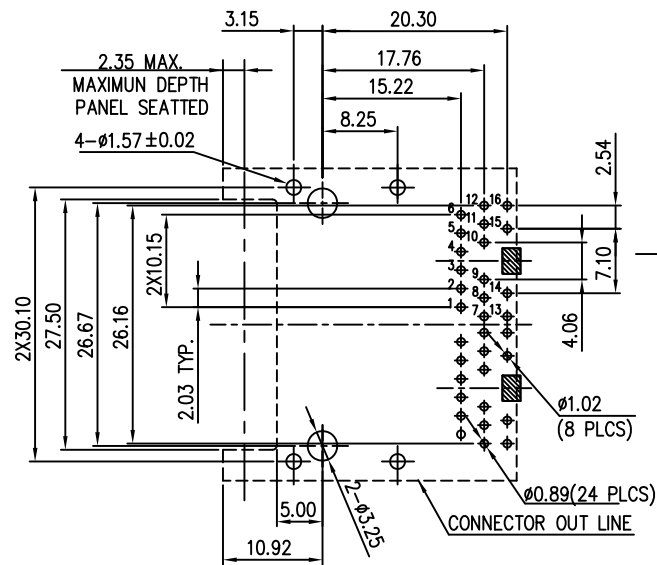
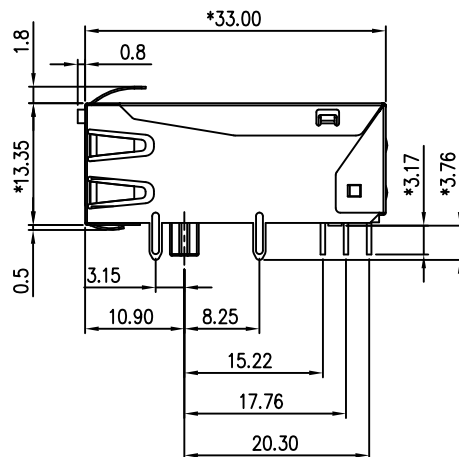
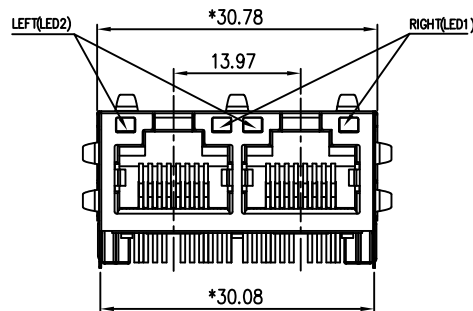
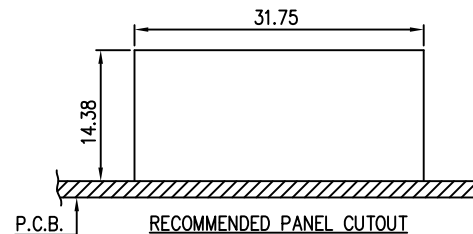
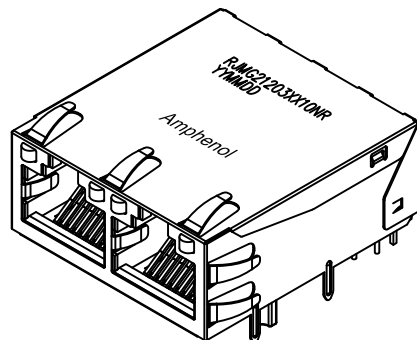
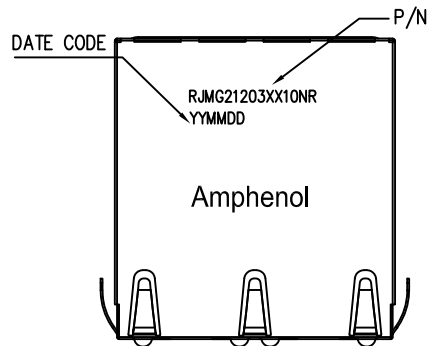


# CUSTOMER DRAWING

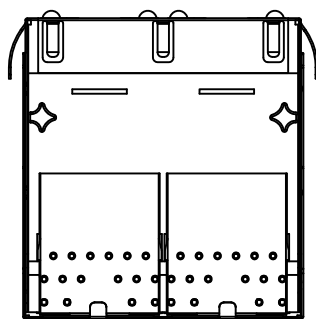
REVISIONS				
SYM	ECN No.	DESCRIPTION	DATE	APPROVED
AX3		UPDATE THE DIMENSIONS	3/20/2012	Roger Tsai

This document is the property of Amphenol Corporation and is delivered on the express condition that it not to be disclosed, reproduced or used, in whole or in part, for manufacture or sale by anyone other than Amphenol Corporation without its prior consent, and that no right is granted to disclose or to use any information in this document.

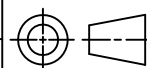
The marking on this product doesn't contain environmental hazardous materials per Material Specification SS-00259 for Sony GP compliant or per directive 2002/95/EC for RoHS compliant.



RECOMMENDED P.C.B LAYOUT (GENERAL TOLERANCE: ±0.05)  
COMPONENT SIDE OF BOARD



TOLERANCE	APPROVALS	DATE	TITLE		Amphenol®					
X. ±0.30	DRAWN Sunky Shang	3/20/2012	RJMG 1X2 SERIES 1000BASE-T With filter and LED		Amphenol Corporation Amphenol Taiwan Corporation					
X.X ±0.20	CHECKED Vivian Wen	3/20/2012								
X.XX ±0.10	APPROVED Roger Tsai	3/20/2012	UNLESS OTHERWISE SPECIFIED	DWG TYPE CUST DWG	PROJECT CODE GT263	UNIT mm SCALE NA	SIZE A3 SHEET 1 OF 4	PART No. RJMG21203XX10NR	DWG No. RJMG21203XX10NR	REV. AX3



# CUSTOMER DRAWING

REVISIONS				
SYM	ECN No.	DESCRIPTION	DATE	APPROVED
AX3		UPDATE THE DIMENSIONS	3/20/2012	Roger Tsai

This document is the property of Amphenol Corporation and is delivered on the express condition that it is not to be disclosed, reproduced or used, in whole or in part, for manufacture or sale by anyone other than Amphenol Corporation without its prior consent, and that no right is granted to disclose or to use any information in this document.

The marking on this product doesn't contain environmental hazardous materials per Material Specification SS-00259 for Sony GP compliant or per directive 2002/95/EC for RoHS compliant.

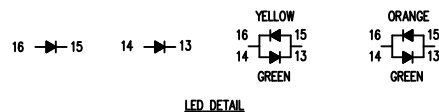
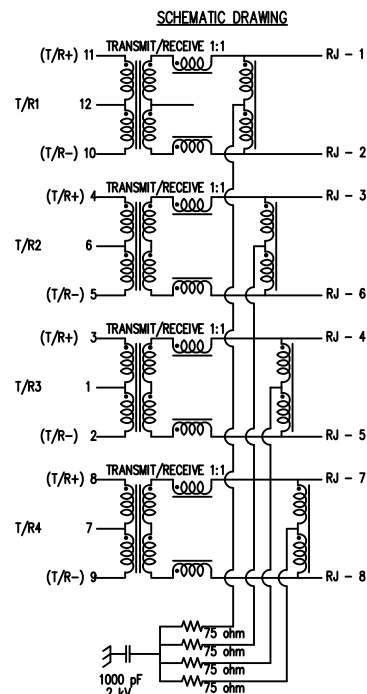
## ELECTRICAL SPECIFICATION(@25° C)

### CONNECTOR PERFORMANCE

PARAMETER	LIMITS (MAX. OR MIN.)	FREQUENCY RANGE/ TEST CONDITIONS
INSERTION LOSS (RX/TX)	-0.8dB MAX. -1.2dB MAX.	0.1-100 MHz 100-125 MHz
RETURN LOSS (RX/TX)	-16dB MIN. -10+20 log(f/80MHz)dB MIN.	0.5-40 MHz 40-100 MHz
CM-CM REJECTION	-30dB MIN.	100 KHz-100 MHz
CM-DM REJECTION	-35dB MIN.	100 KHz-100 MHz
CROSS TALK ISOLATION (RX/TX)	-30+20 log(f/100MHz)dB MIN.	100 KHz-100 MHz
HIPOT (ISOLATION)	1.5kVrms MIN.	60S
OCL	350uH MIN.	100KHz 100mV 8mA
TURN RATIO	1:1±5%	

### LED PERFORMANCE

PARAMETER	SINGLE COLOUR		BICOLOUR				UNITS
	GREEN	YELLOW	GREEN	YELLOW	GREEN	ORANGE	
FORWARD CURRENT IF MAX	30	30	30		30		mA
REVERSE CURRENT IR MAX	10	10	10		10		uA
REVERSE VOLTAGE VR MAX	-5	-5	-5		-5		v
T OPERATURE	-40~+85	-40~+85	-40~+85		-40~+85		°C
T SOLDERING	260+/-5	260+/-5	260+/-5		260+/-5		°C
POWER DISS. Pd	70	70	70		70		mW
PEAK WAVELENGTH	565	585	565	585	565	605	nM
FORWARD VOLTAGE TYP	2.5	2.1	2.2	2.1	2.2	2.0	(@IF=20mA) V
FORWARD VOLTAGE MAX	2.9	2.6	2.6	2.6	2.6	2.6	(@IF=20mA) V



TOLERANCE	APPROVALS	DATE	TITLE	Amphenol®		
X. ±0.30	DRAWN Sunky Shang	3/20/2012	RJMG 1X2 SERIES 1000BASE-T With filter and LED	Amphenol Corporation Amphenol Taiwan Corporation		
X.X ±0.20	CHECKED Vivian Wen	3/20/2012				
X.XX ±0.10	APPROVED Roger Tsai	3/20/2012		UNIT mm	SIZE A3	PART No. RJMG21203XX10NR
ANGULAR ±1°	DWG TYPE CUST DWG	PROJECT CODE GT263		SCALE NA	SHEET 1 OF 4	DWG No. RJMG21203XX10NR
UNLESS OTHERWISE SPECIFIED					REV. AX3	

# CUSTOMER DRAWING

REVISIONS				
SYM	ECN No.	DESCRIPTION	DATE	APPROVED
AX3		UPDATE THE DIMENSIONS	3/20/2012	Roger Tsai

This document is the property of Amphenol Corporation and is delivered on the express condition that is not to be disclosed, reproduced or used, in whole or in part, for manufacture or sale by anyone other than Amphenol Corporation without its prior consent, and that no right is granted to disclose or to use any information in this document.

The marking on this product doesn't contain environmental hazardous materials per Material Specification SS-00259 for Sony GP compliant or per directive 2002/95/EC for RoHS compliant.

**MATERIALS:**

INSULATOR: THERMOPLASTIC POLYESTER,  
 COLOR: BLACK  
 FLAMMABILITY RATING UL 94V-0

CONTACTS (RJMAG): PHOSPHOR BRONZE  
 PLATING: GOLD 30U" PLATING ON MATING SURFACES.  
 120 MICROINCHES PURE TIN ON TAILS.  
 STAINLESS STEEL T=0.20 MM.

SHIELD:  
 DIMENSIONS MARKED WITH "\*" SHALL BE MEASURED.

**MECHANICAL FEATURES:**

SOLDERABILITY: MIL-STD-202, METHOD 208.

PACKAGING: 35PCS/PLASTIC TRAY, 10 TRAYS/CARTON  
 MEET FCC PART 68.500 REQUIREMENTS.

**Environmental**

OPERATING TEMPERATURE: 0°C TO +70°C.

STORAGE TEMPERATURE: -40°C TO +105°C.

WAVE SOLDERING TEMPERATURE: 260°C FOR 10 SECONDS

RJMG-2120 - 3 X- X 1- 0 N R

R: RoHS Compliant;  
 A electrical specifications

LED1 (RIGHT SIDE) SEE LED1 OPTIONS

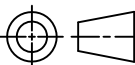
- 0- No LED (Blocked Hole)
- 1- Green
- 2- Yellow
- 4- Bi-color Green/Yellow
- 6- Bi color Green/Orange

PLATING AND PACKAGE  
 N: Gold 30u"

LED2 (LEFT SIDE) SEE LED1 OPTIONS

- 0- No LED (Blocked Hole)
- 1- Green
- 2- Yellow
- 4- Bi-color Green/Yellow
- 6- Bi color Green/Orange

TERMINATION OPTIONS  
 1: 12 cores 1000 pf (2KV)

TOLERANCE	APPROVALS	DATE	TITLE		<h2 style="margin: 0;">Amphenol®</h2> <p style="margin: 0;">Amphenol Corporation Amphenol Taiwan Corporation</p>		
X. ±0.30	DRAWN Sunky Shang	3/20/2012	RJMG 1X2 SERIES 1000BASE-T With filter and LED		PART No. RJMG21203XX10NR		
X.X ±0.20	CHECKED Vivian Wen	3/20/2012					
X.XX ±0.10	APPROVED Roger Tsai	3/20/2012					
ANGULAR ±1°	DWG TYPE CUST DWG	PROJECT CODE GT263		UNIT mm	SIZE A3	SHEET 1 OF 4 DWG No. RJMG21203XX10NR REV. AX3	
UNLESS OTHERWISE SPECIFIED			SCALE NA				

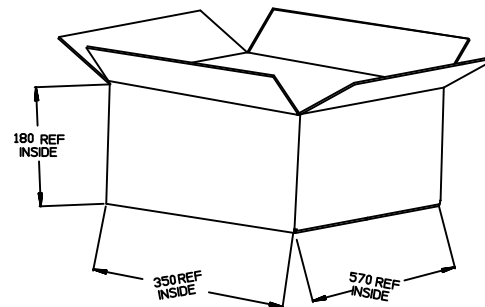
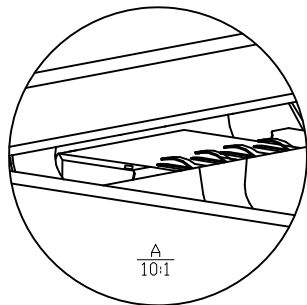
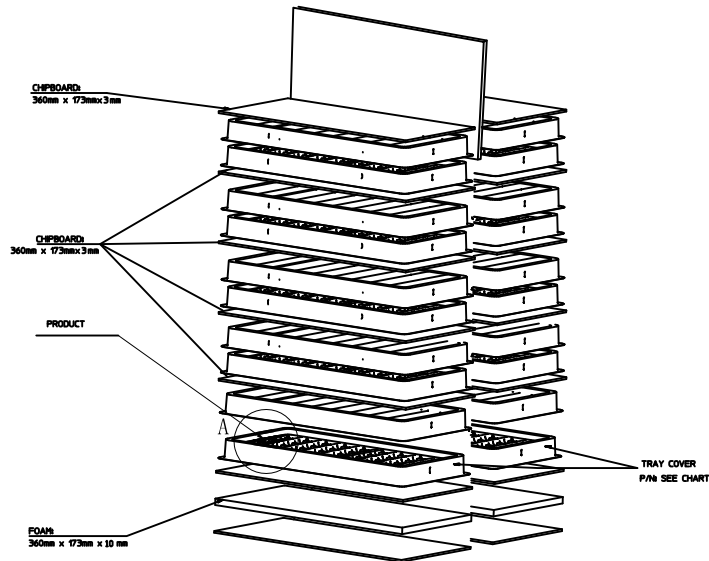
This document is the property of Amphenol Corporation and is delivered on the express condition that it is not to be disclosed, reproduced or used, in whole or in part, for manufacture or sale by anyone other than Amphenol Corporation without its prior consent, and that no right is granted to disclose or to use any information in this document.

The marking on this product doesn't contain environmental hazardous materials per Material Specification SS-00259 for Sony GP compliant or per directive 2002/95/EC for RoHS compliant.

# CUSTOMER DRAWING

REVISIONS				
SYM	ECN No.	DESCRIPTION	DATE	APPROVED
AX3		UPDATE THE DIMENSIONS	3/20/2012	Roger Tsai

PRODUCT		TRAY P/N	COVER P/N	TRAY PER PRIMARY CARTON	TRAY	PCS PER PRIMARY CARTON	PCS PER MASTER CARTON
P/N	PORTS						
RJMG2120XXX10NR					35		350



TOLERANCE	APPROVALS	DATE	TITLE		UNIT		SIZE		PART No.	
X. ±0.30	DRAWN Sunky Shang	3/20/2012	RJMG 1X2 SERIES 1000BASE-T With filter and LED		mm	A3	Amphenol® Amphenol Corporation Amphenol Taiwan Corporation			
X.XX ±0.20	CHECKED Vivian Wen	3/20/2012								
X.XXX ±0.10	APPROVED Roger Tsai	3/20/2012	PROJECT CODE GT263		NA	SHEET 1 OF 4	Part No. RJMG21203XX10NR DWG No. RJMG21203XX10NR REV. AX3			
ANGULAR ±1°	DWG TYPE CUST DWG									
UNLESS OTHERWISE SPECIFIED										