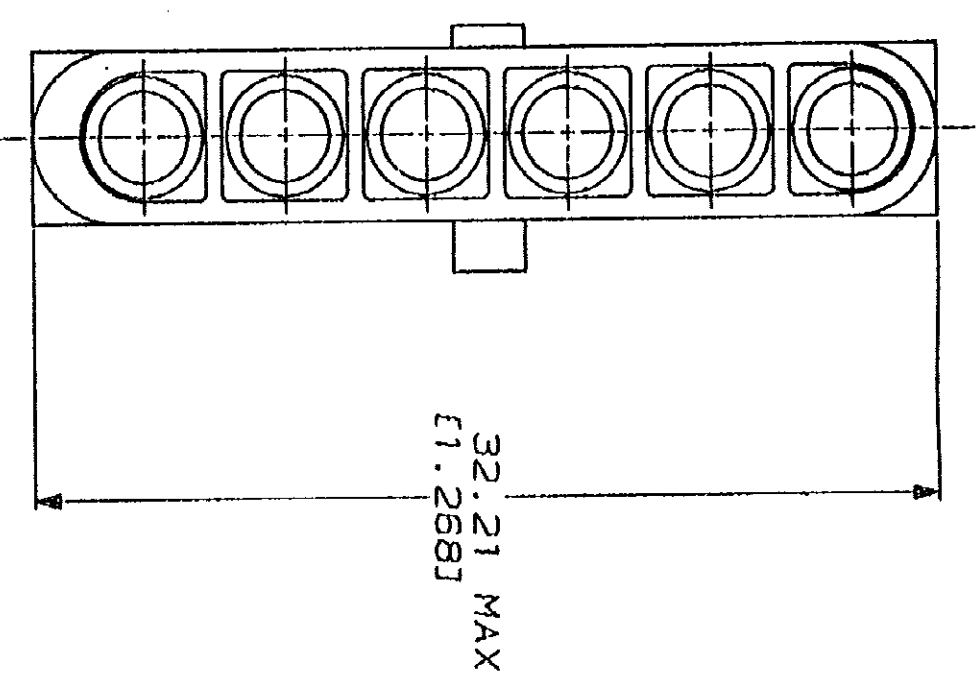
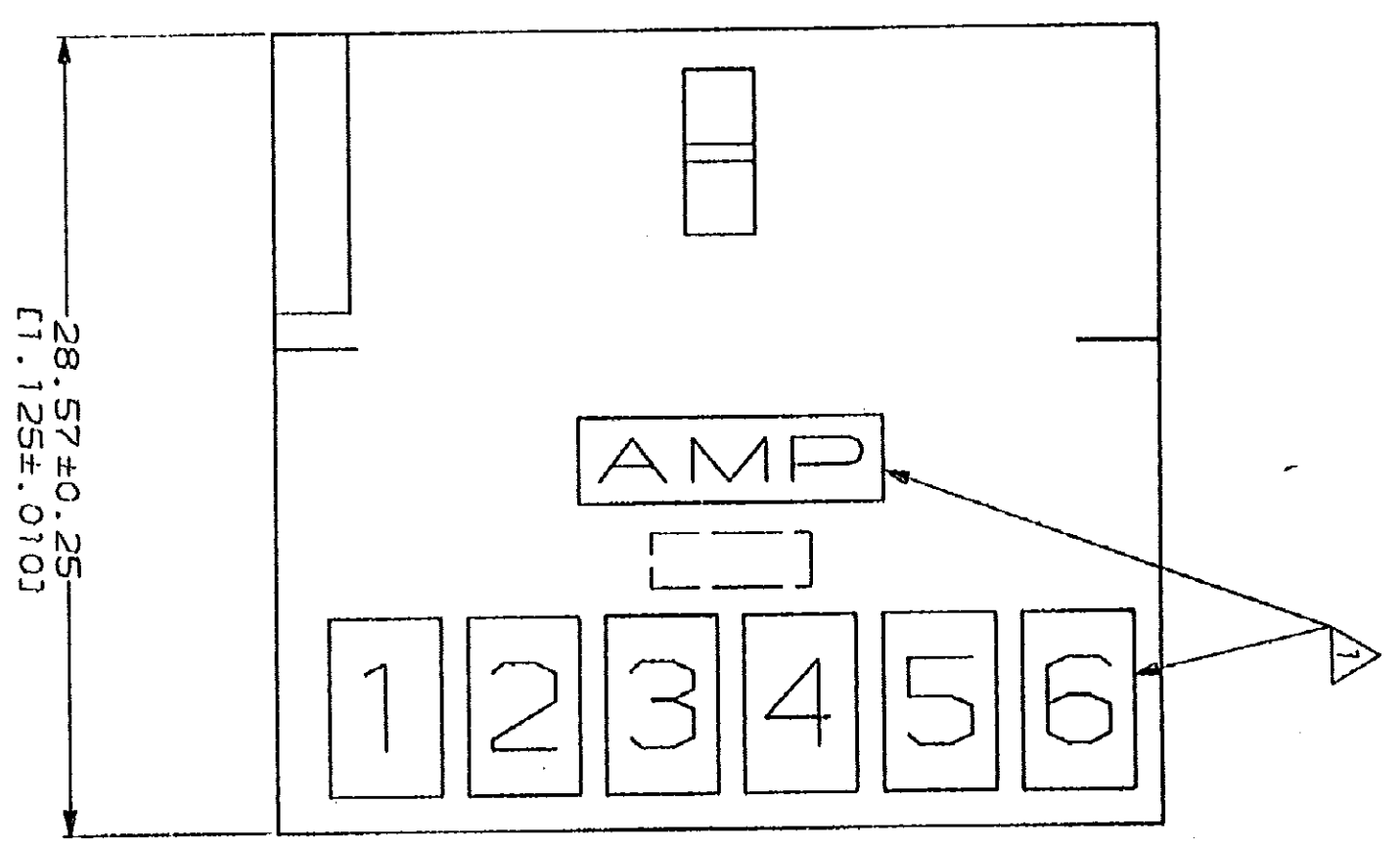
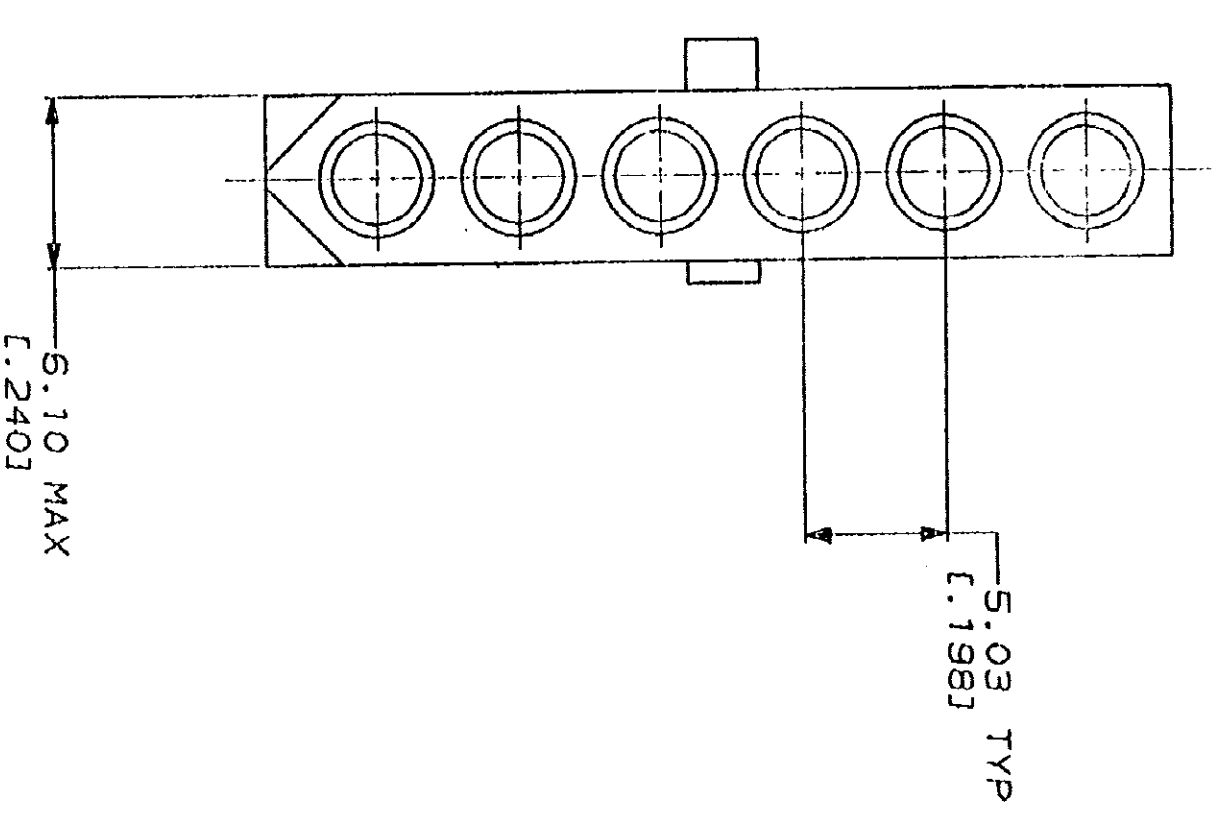


DRAWING MADE IN THIRD ANGLE PROJECTION
 THIS DRAWING IS UNDER RESERVE
 BY AMP INCORPORATED, ALL INFORMATION RIGHTS RESERVED.

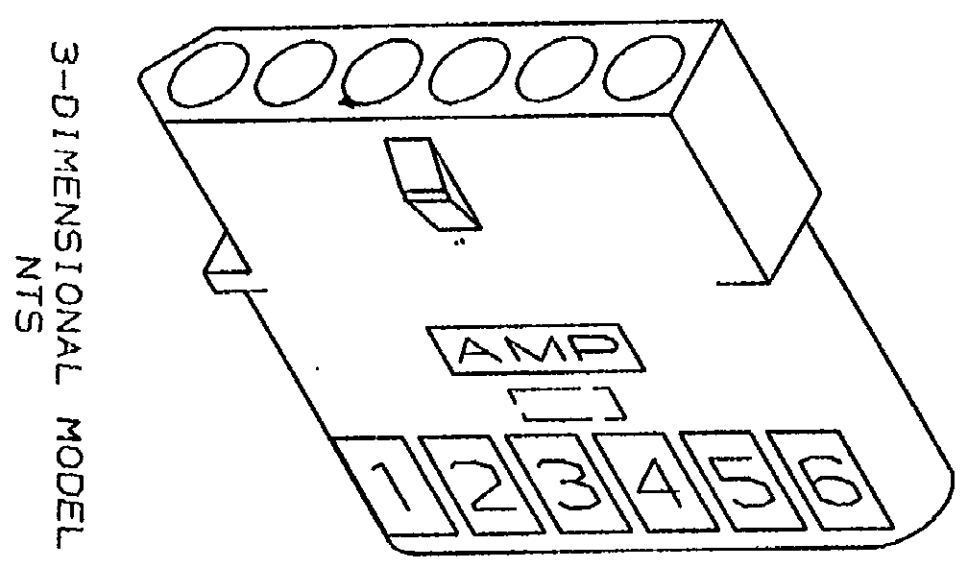
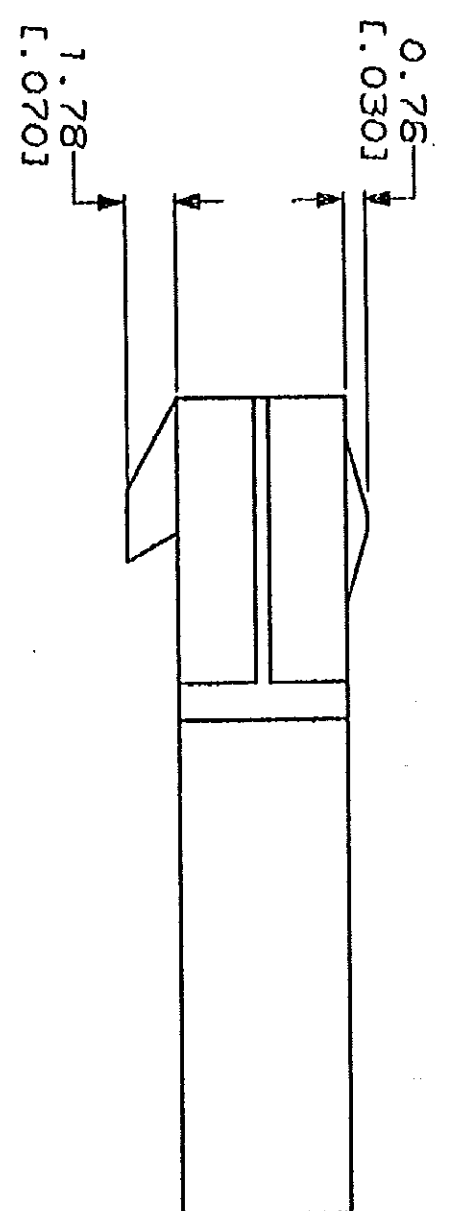
REVISIONS

NO	DATE	APP'D	DESCRIPTION
1	11-6-90		
2	11-6-90		REVISED PER ECM CH-3387

LOC: CM 53
 P: 1
 ZONE: LTR
 REVISED PER ECM CH-3387



△ AMP LOGO AND CIRCUIT NUMBERS LOCATED IN THIS AREA, EITHER SIDE.
 2. DIMENSIONS IN BRACKETS ARE IN INCHES.



METRIC

DO NOT SCALE PRINT. DIMENSIONS IN INCHES TOLERANCES ON: 2 PLG DEC ± 0.13 (1.063) 3 ANG DEC ± 0.13 (1.063) MATERIAL NYLON, UL 94V-2 NATURAL	DR. K. WITZLER CHK. R. SUIRE APP'D. C. CASH	11-6-90 11-6-90 11-6-90	AMP AMP Incorporated Murrysburg, PA 17105-3808
FINISH: -	APPLICATION SPEC: -	SIZE: D SCALE: 4:1	RECEPTACLE, POSITIVE LOCK, 6 CIRCUIT, COMMERCIAL PIN AND SOCKET

CUSTOMER DRAWING