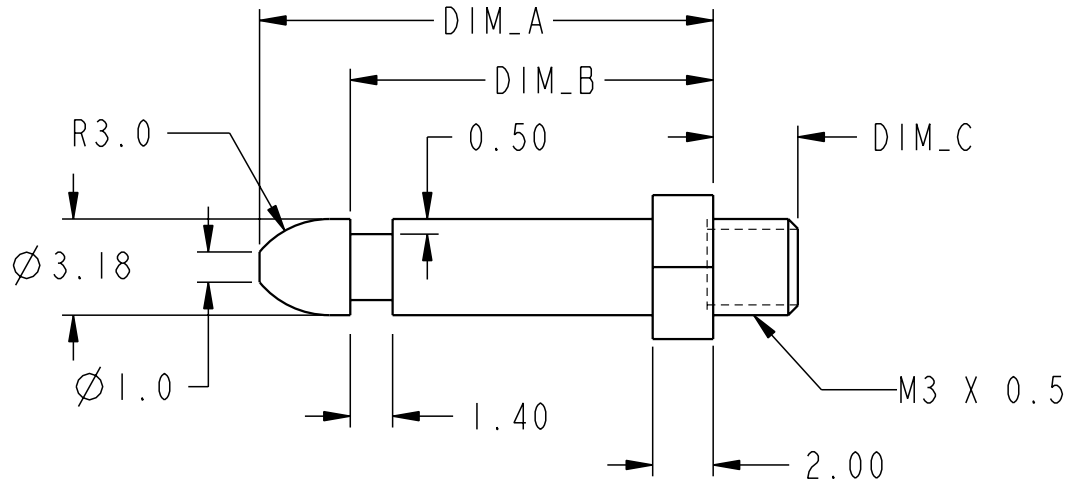
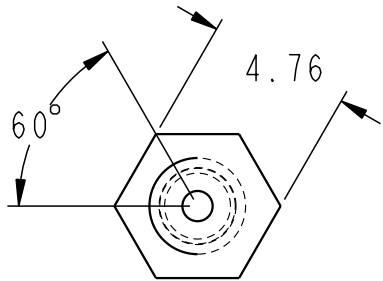


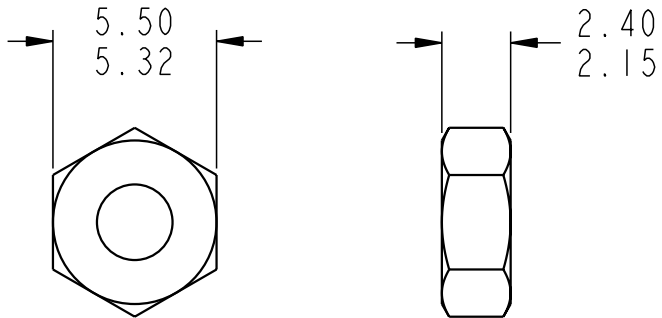
1	2	3	4
PRODUCT NUMBER*	DIM_A	DIM_B	DIM_C
10022830-001	15.00	12.00	2.80
10022830-002	16.55	13.55	3.00
10022830-003	15.00	12.00	12.30

*SEE NOTE 1



NOTES:

① AN M3 NUT MAY BE INCLUDED WITH THE GUIDE PIN BY ADDING A SUFFIX "N" TO THE PART NUMBER, EXAMPLE: 10022830-001N



M3 HEX NUT (NOTE 1)

TOLERANCES UNLESS OTHERWISE SPECIFIED

LINEAR	0.X	±.3	-	-	-
	0.XX	±.10	-	-	-
	0.XXX	±.050	-	-	-
ANGULAR	0°	±2°	-	-	-

rev	ecn no	dr	date
A	V03-0847	GIP	08/04/03
B	V04-0596	TAB	06/07/04
C	V04-0670	TAB	06/23/04
D	V04-0722	TAB	07/15/04

FCI		www.fciconnect.com	surface 1.6 ASME Y14.5	tolerance ASME Y14.5	projection MM	size A4	Scale 4:1
Dr	D.CHOVANEC	4/18/03	Product family MICROPAX		ECN	V04-0596	
Eng	J.ESPINOZA	4/18/03	Spec ref				
Chr	C. GROSS	4/18/03	Material 303 STAINLESS STEEL				
Appr	C. GROSS	4/18/03					
title MICROPAX GUIDE PIN					dwg no 10022830	Rev. D	
catalog no					CUSTOMER	sheet 1 of 3	

Tous droits strictement reserves. Reproduction ou communication a des tiers interdite sous quelque forme que ce soit sans autorisation écrite du propriétaire. Propriete de c FCI. Droits de reproduction FCI.

FCI

All rights strictly reserved. Reproduction or issue to third parties in any form whatever is not permitted without written authority from the proprietor. Property of FCI. Copyright FCI.

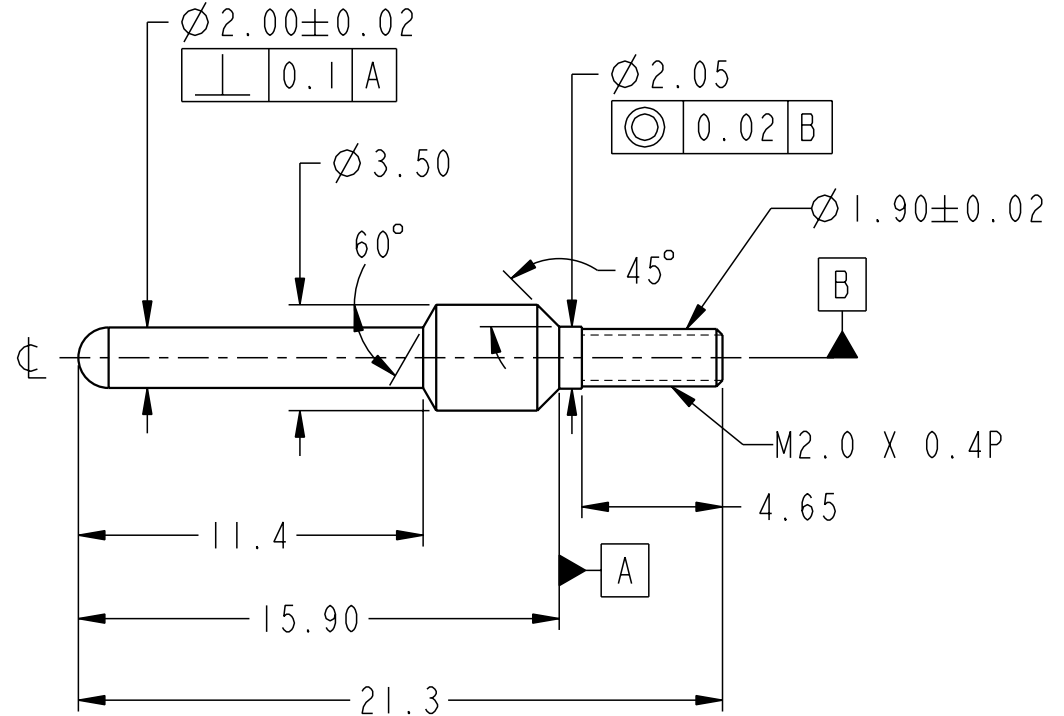
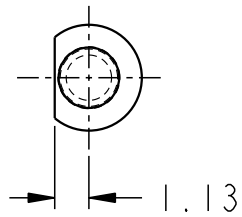
PRODUCT NUMBER

10022830-004

Tous droits strictement reserves. Reproduction ou communication a des tiers interdite sous quelque forme que ce soit sans autorisation écrite du propriétaire. Propriete de c FCI. Droits de reproduction FCI.

A
FCI

All rights strictly reserved. Reproduction or issue to third parties in any form whatever is not permitted without written authority from the proprietor. Property of FCI. Copyright FCI.



title	MICROPAX GUIDE PIN	dwg no	10022830	Rev.	D
catalog no	-	CUSTOMER	sheet 2 of 3		

PDM: Rev:D

STATUS **Released**

4 Printed: Jul 22, 2010

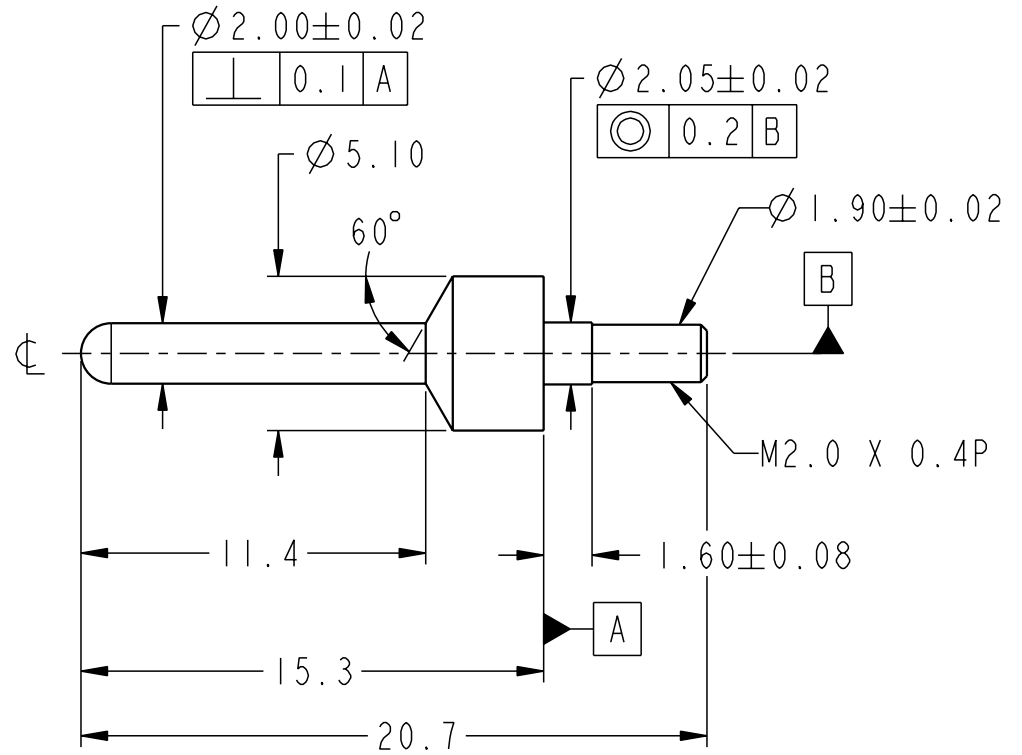
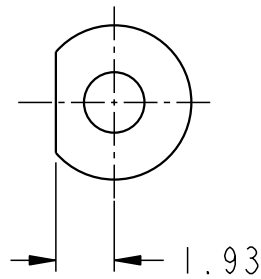
PRODUCT NUMBER

10022830-005

Tous droits strictement reserves. Reproduction ou communication a des tiers interdite sous quelque forme que ce soit sans autorisation écrite du propriétaire. Propriete de c FCI. Droits de reproduction FCI.

A
FCI

All rights strictly reserved. Reproduction or issue to third parties in any form whatever is not permitted without written authority from the proprietor. Property of FCI. Copyright FCI.



title	MICROPAX GUIDE PIN	dwg no	10022830	Rev.	D
catalog no	-	CUSTOMER	sheet 3 of 3		

PDM: Rev:D

STATUS **Released**

4 Printed: Jul 22, 2010