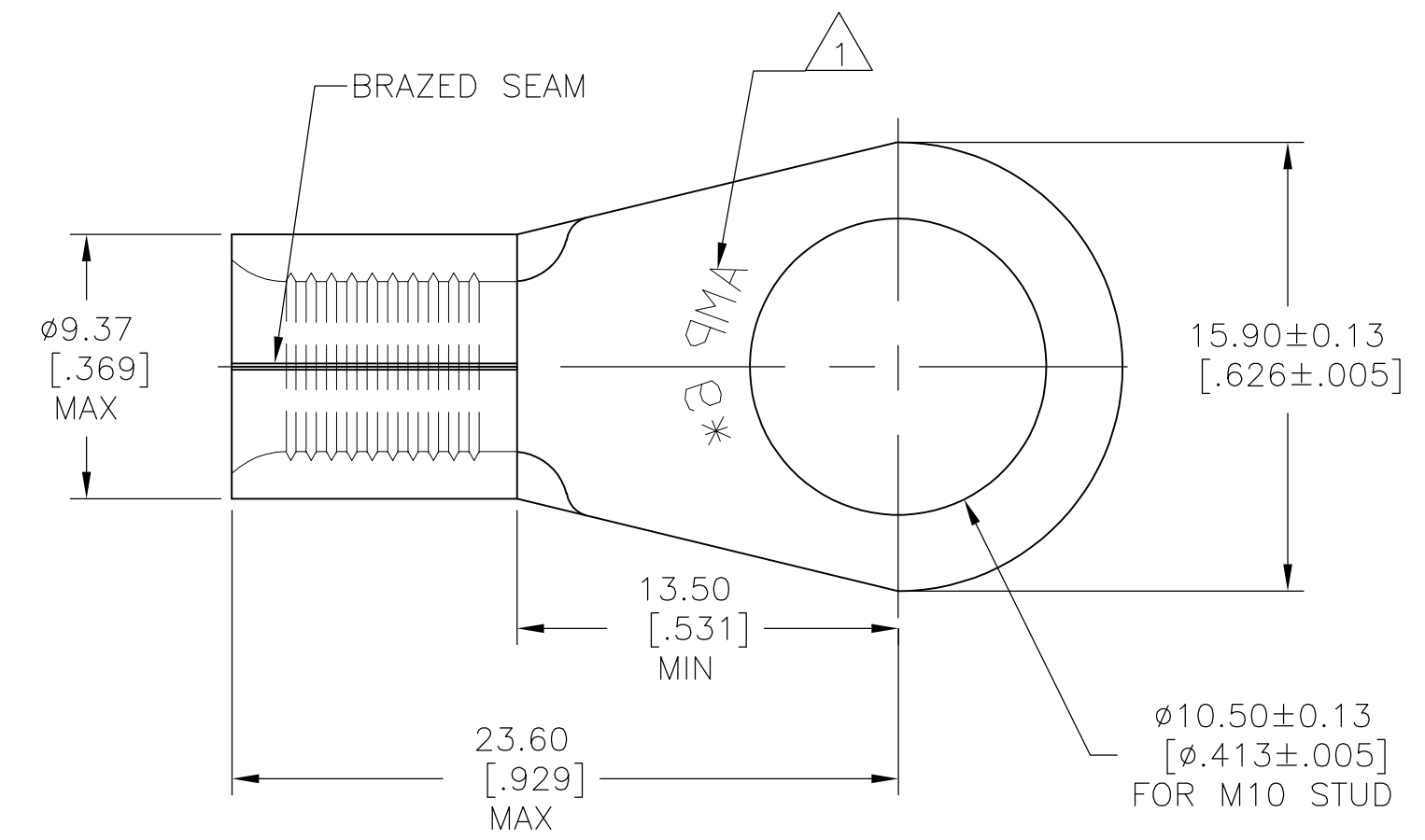


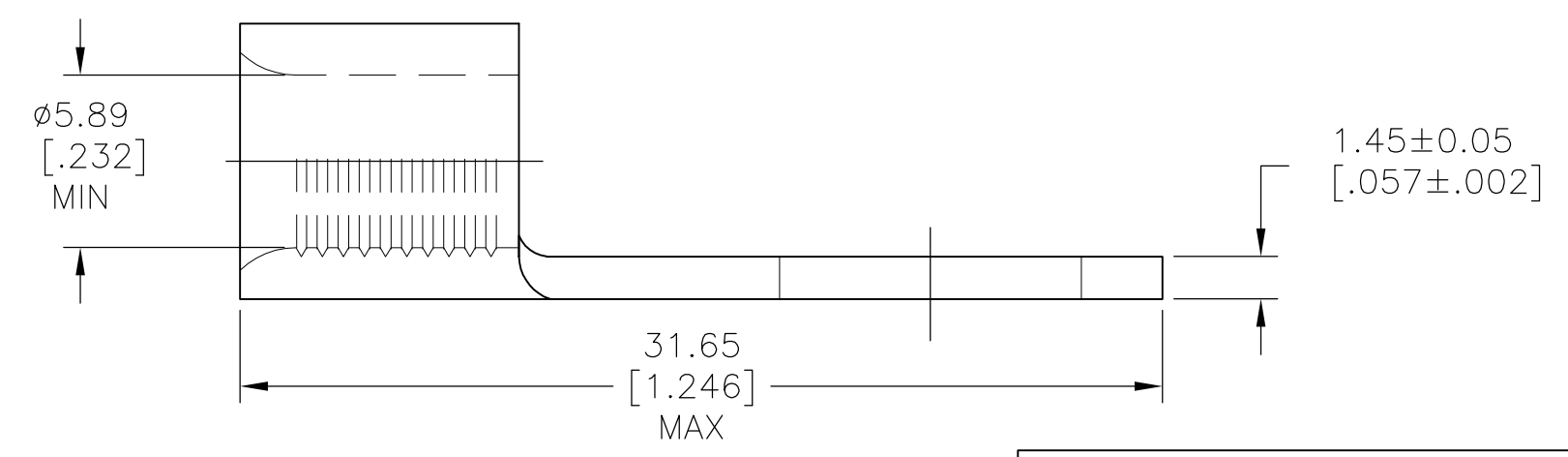
THIS DRAWING IS UNPUBLISHED. RELEASED FOR PUBLICATION
 © COPYRIGHT - BY TYCO ELECTRONICS CORPORATION. ALL INTERNATIONAL RIGHTS RESERVED.

LOC	DIST	REVISIONS					
G	14	P	LTR	DESCRIPTION	DATE	DWN	APVD
			B1	REVISED PER ECO-10-021669	26OCT10	HMR	DR



AMP
 WIRE RANGE
 6 AWG
 SOLID OR STRANDED

- 1 STAMP AMP 6* APPROX AS SHOWN
- 2 MATERIAL: COPPER PER ASTM B-152, ANNEALED
- 3 FINISH: TIN PLATE 0.00254[.000100] MIN EXT THK PER ASTM B-545



160032
 PART NO

THIS DRAWING IS A CONTROLLED DOCUMENT.		DWN jr_ruth 09JUN04	Tyco Electronics Corporation Harrisburg, PA 17105-3608	
DIMENSIONS: mm [INCHES]		CHK T MICHELUTTI 09JUN04	NAME	
TOLERANCES UNLESS OTHERWISE SPECIFIED:		APVD T MICHELUTTI 09JUN04	WIRE TERMINAL SOLISTRAND RING TONGUE 6 AWG - M10	
0 PLC ± -		PRODUCT SPEC	SIZE	CAGE CODE
1 PLC ± -		APPLICATION SPEC	A3	00779
2 PLC ± -		WEIGHT	DRAWING NO	
3 PLC ± -			C-160032	
4 PLC ± -			RESTRICTED TO	
ANGLES ± -				
MATERIAL			SCALE	SHEET
FINISH			4:1	1 OF 1
2			REV	B1
3		CUSTOMER DRAWING		