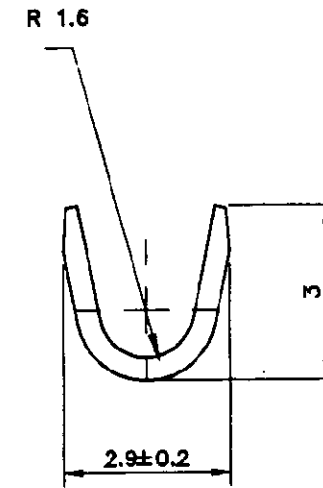
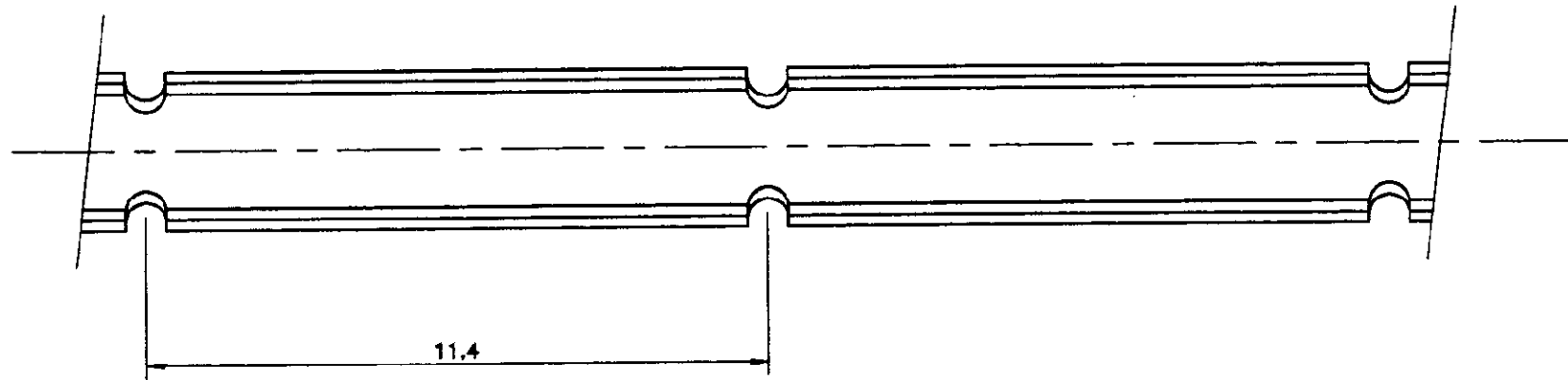


DRAWING MADE IN THIRD ANGLE PROJECTION

NOTE:-

- 1) NO TOOL MARKS TO BE VISIBLE
- 2) BURRS NOT TO EXCEED 0.08
- 3) SURFACE TO BE CLEAN AND FREE FROM STAINS

△ OBSOLETE PART: 190598-2



CONTROLLED

ORIGINAL

THIS INFORMATION IS CONFIDENTIAL AND DISCLOSED TO YOU ON CONDITION THAT NO FURTHER DISCLOSURE IS MADE BY YOU TO OTHER THAN AMP PERSONNEL WITHOUT WRITTEN AUTHORIZATION FROM AUSTRALIAN AMP

△ 4

obsolete	WIRE RANGE: 0.5-1.5 sq mm	-	-	NICKEL SILVER	190598-2
	INSULATION RANGE: Ø	REMARKS	FINISH	MATERIAL	PART No
		SIZE 0.4±0.013X6.6±0.05			
		DATE 24/05/94	CHK VK <i>WJL</i>	AMP Australian AMP Pty. Limited Hudson Avenue, CASTLE HILL NSW	
		DR RB	APP BL <i>BCW</i>	NAME SPLICE, BOOTLACE LOC CODE U	
		SCALE AS 8:1 or SHOWN	SIZE A3	DWG No. C-190596	SHEET 1 OF 1 REV C1
P	F	LTR	REVISION RECORD	APP	DATE

8 7 6 5 4 3 2 1 CUSTOMER DRAWING