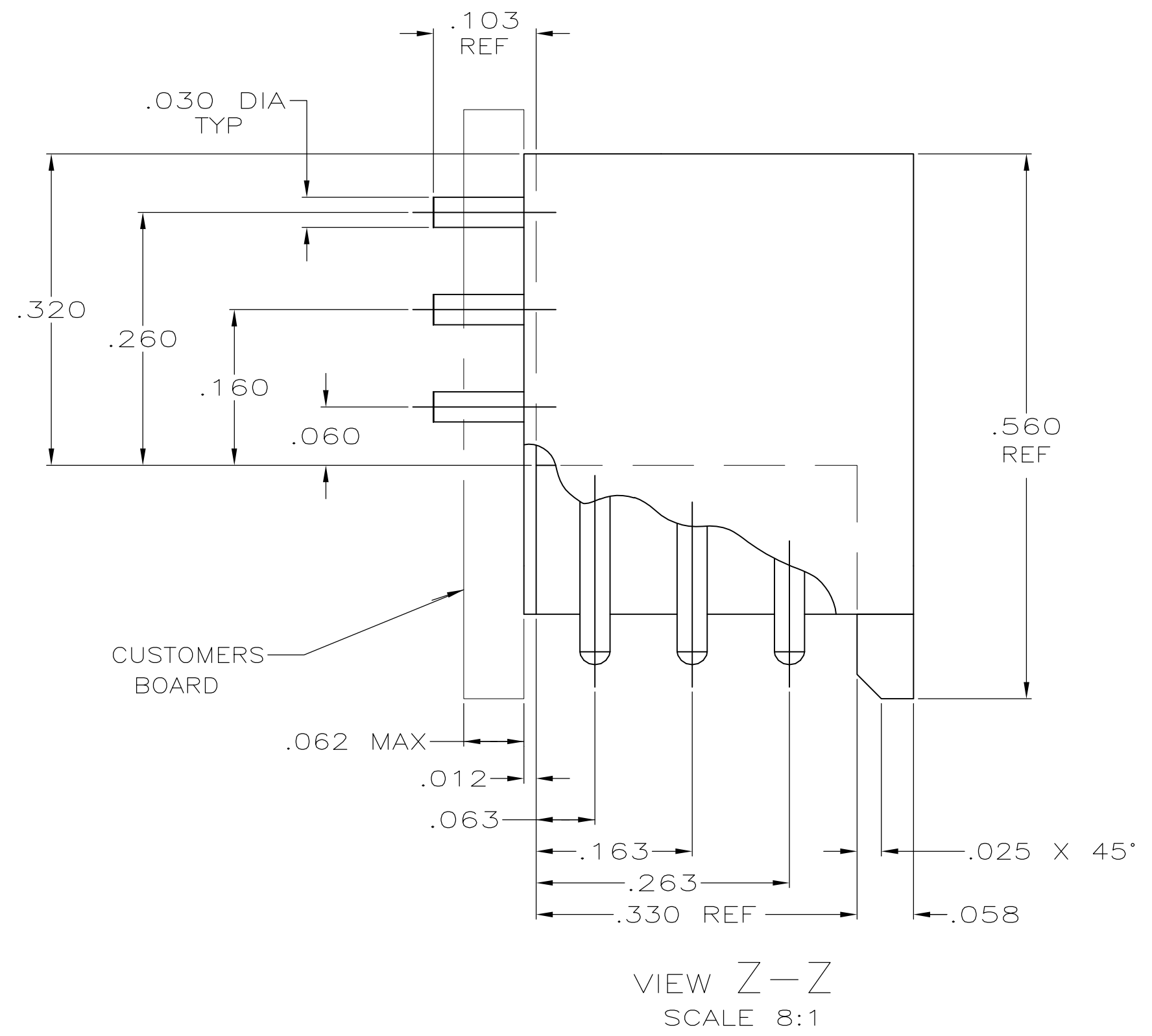
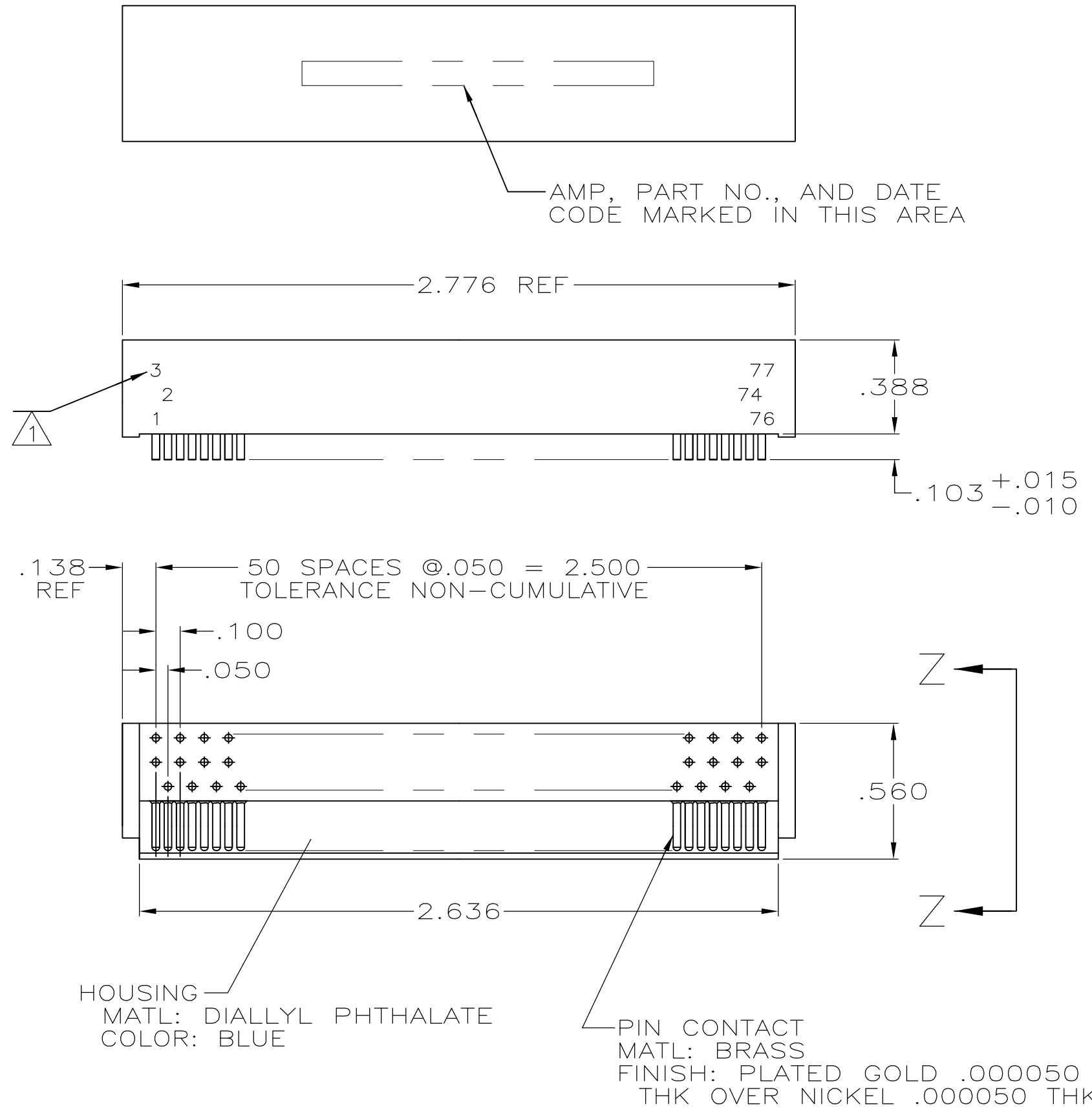
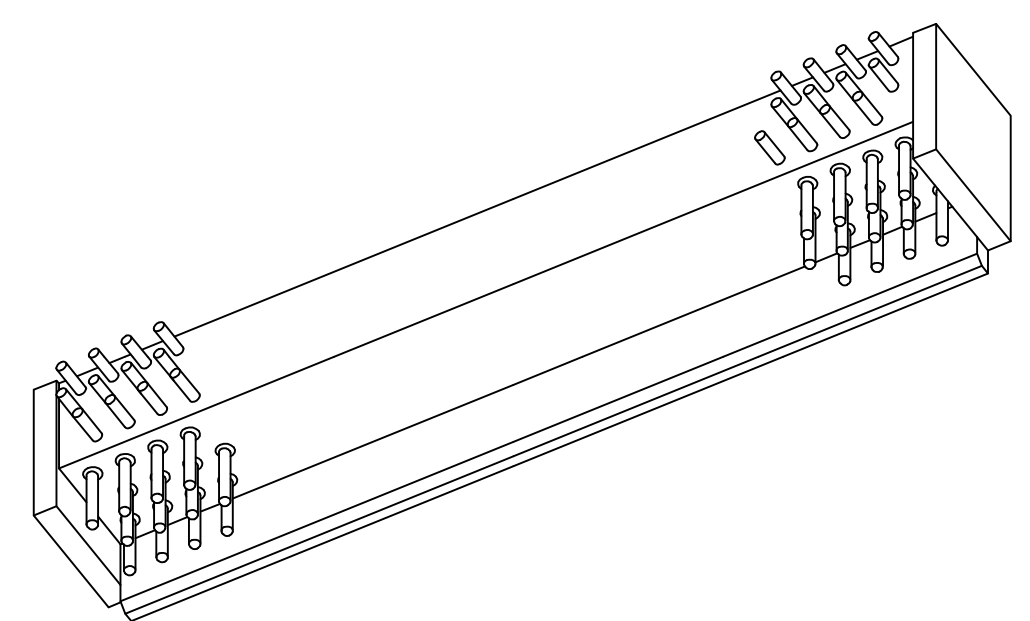


THIS DRAWING IS UNPUBLISHED. RELEASED FOR PUBLICATION
 © COPYRIGHT BY TYCO ELECTRONICS CORPORATION. ALL RIGHTS RESERVED.

LOC		DIST		REVISIONS			
DF	FO	P	LTR	DESCRIPTION	DATE	DWN	APVD
		C		REV PER ECO 10-002921	23MAR10	PY	DM



⚠ PIN IDENTIFICATION CORRESPONDING TO END PIN IN EACH ROW OF MATING FACE. MARKING TO BE DONE ON BACK FACE OF BLOCK AS INDICATED.



77	445397-1
NO OF POSN	PART NUMBER

THIS DRAWING IS A CONTROLLED DOCUMENT.		DWN 2-28-08 C.C.THOMAS	Tyco Electronics Corporation Harrisburg, PA 17105-3608
DIMENSIONS: INCHES		CHK 2-28-08 J.WEAVER	
TOLERANCES UNLESS OTHERWISE SPECIFIED:		APVD 2-28-08 J.WEAVER	NAME
0 PLC ± - 1 PLC ± - 2 PLC ± - 3 PLC ± .005 4 PLC ± - ANGLES ± -		PRODUCT SPEC	PIN HEADER ASSEMBLY, 1000 SERIES BOX, MOLDED
MATERIAL SEE CALLOUTS		FINISH SEE CALLOUTS	SIZE CAGE CODE DRAWING NO RESTRICTED TO
		WEIGHT -	A2 00779 C=445397 -
		CUSTOMER DRAWING	SCALE 2:1 SHEET 1 of 1 REV C