

spec ref		dr	Chen-Hong Tan	2005/08/17	projection	mm	size	A3	scale	2:1
tolerance std		eng	Yong-Keat Lim	2011/10/05			ecn no		ELX-S-006144-1	
ASME Y14.5		chr	-	-			rel level		Released	
-		TOLERANCES UNLESS OTHERWISE SPECIFIED		appr	Chen-Hong Tan	2011/10/07	product family		HG. SPD. BACKPANEL	
surface	3.2	linear	0.X	±0.3		title 10.8mm R/A GUIDE PIN 4/5 PAIR	dwg no 10044366	rev B	-	
			0.XX	±0.10					Product - Customer Drw	
			0.XXX	±0.050					sheet 1 of 2	
-	-	angular	0°	±2°	www.fci.com	cat. no.	-		Product - Customer Drw	

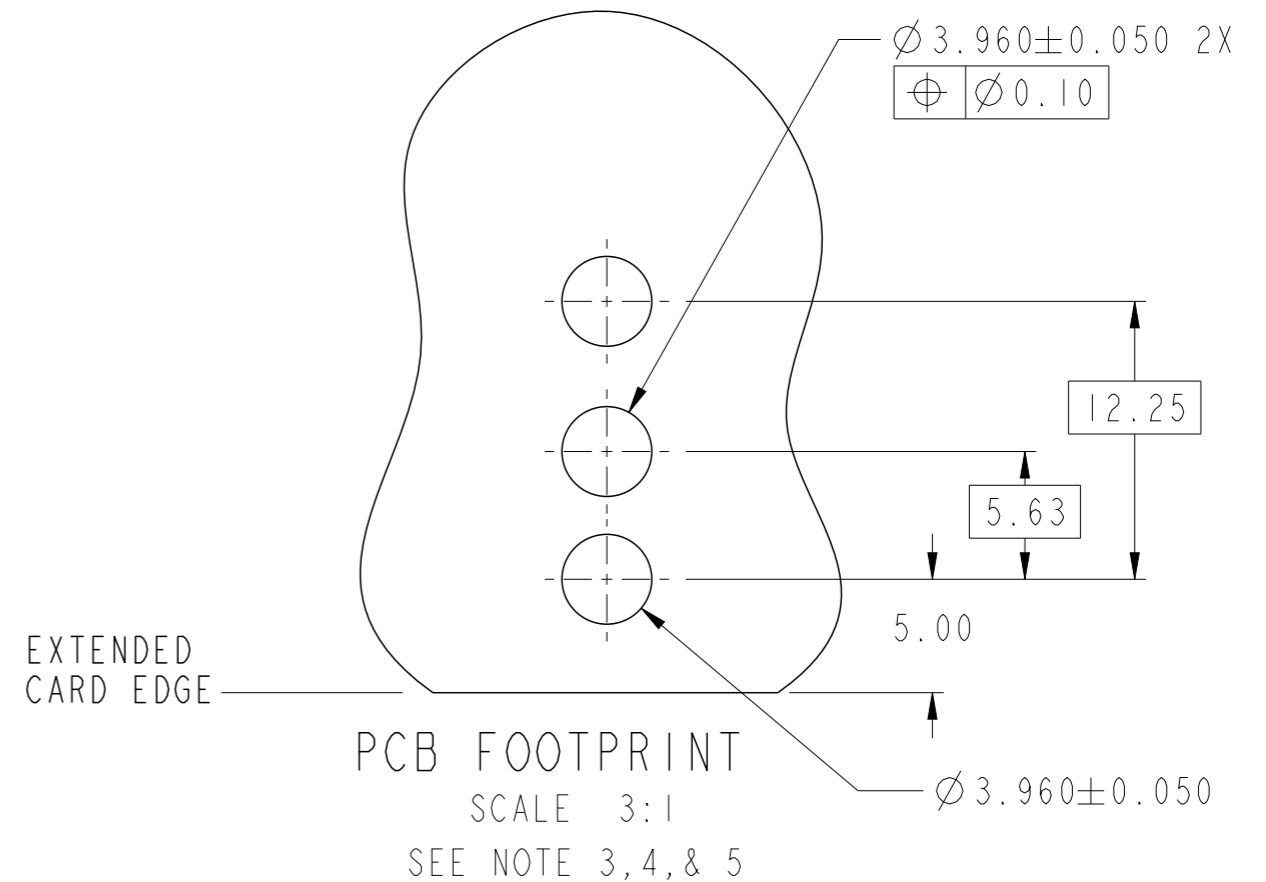


Copyright FCI.

PART NUMBER	DIM A°
10044366-101LF	0°
10044366-102LF	45°
10044366-103LF	90°
10044366-104LF	135°
10044366-105LF	180°
10044366-106LF	225°
10044366-107LF	270°
10044366-108LF	315°

NOTES:

- ① MATERIAL: ZINC ALLOY.
- ② FINISH: ZINC YELLOW CHROMATE.
- ③ PRELIMINARY APPLICATION SPECIFICATION: GS-20-045.
- ④ REFER TO CUSTOMER DRAWING 10035911 FOR INFORMATION REGARDING PCB LAYOUT OF POWER AND GUIDE MODULES RELATIVE TO SIGNAL MODULES.
- ⑤ RIGHT ANGLE PIN MODULE HAS THE SAME PCB FOOTPRINT AS THE RIGHT ANGLE GUIDE SOCKET.
- 6 THIS PRODUCT MEETS EUROPEAN UNION DIRECTIVES AND OTHER COUNTRY REGULATIONS AS DESCRIBED IN GS-22-008.
- 7 PACKAGING MEETS GS-14-920 LEAD FREE LABELING SPECIFICATION.
- 8 A  $\triangle_B$  SYMBOL WILL BE NEXT TO ANY DIMENSION, VIEW OR NOTE WHICH HAS BEEN MODIFIED WITH THE CURRENT DRAWING REVISION.



spec ref		dr	Chen-Hong Tan	2005/08/17	projection	mm	size	A3	scale	1:1	
tolerance std		eng	Yong-Keat Lim	2011/10/05			ecn no		ELX-S-006144-1		
ASME Y14.5		chr	-	-			rel level		Released		
-		TOLERANCES UNLESS OTHERWISE SPECIFIED		appr	Chen-Hong Tan	2011/10/07	product family		HG. SPD. BACKPANEL		
surface	3.2	linear	0.X	±0.3		title		10.8mm R/A GUIDE PIN		dwg no 10044366	rev B
			0.XX	±0.10		4/5 PAIR					
			0.XXX	±0.050							
		angular	0°	±2°	www.fci.com	cat. no.	-	Product - Customer Drw		sheet 2 of 2	