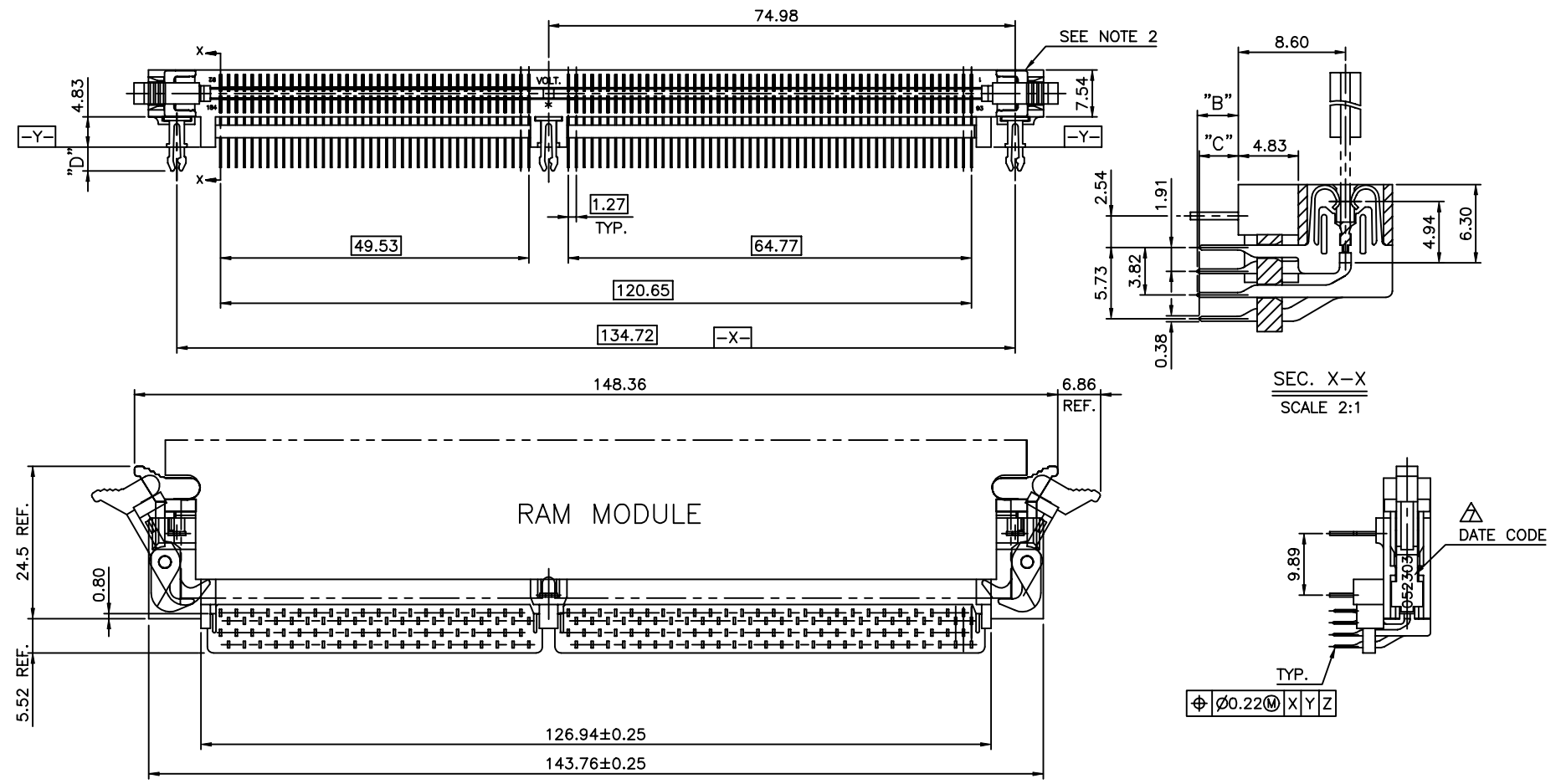


FCI

All rights strictly reserved. Reproduction or issue to third parties in any form whatever is not permitted without written authority from the proprietor. Property of FCI. Copyright FCI.

Tous droits strictement réservés. Reproduction ou communication a des tiers interdite sous quelque forme que ce soit sans autorisation écrite du propriétaire. Propriété de c FCI. Droits de reproduction FCI.



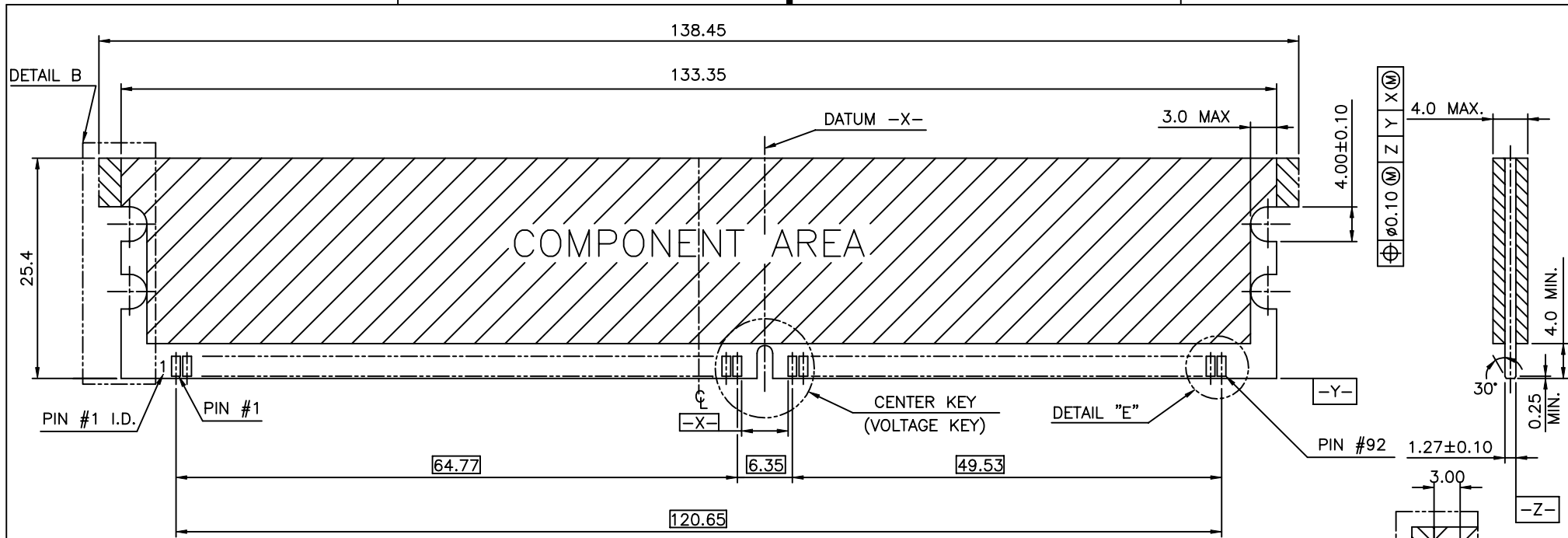
NOTES:

- MATERIAL:**
 HOUSING: HIGH PERFORMANCE RESINS, GLASS FILLED UL94V-0 RATED, COLOR BLACK.
 EJECTOR: HIGH PERFORMANCE RESINS, GLASS FILLED UL94V-0 RATED, COLOR NATURAL.
 TAIL GUIDE: HIGH PERFORMANCE RESINS, GLASS FILLED UL94V-0 RATED, COLOR BLACK.
 TERMINAL: PHOSPHOR BRONZE.
 METAL CLIP: PHOSPHOR BRONZE.
- FCI LOGO TO BE APPROXIMATELY LOCATED AS SHOWN ON PRINT.
- PERFORMANCE TO BE TESTED PER GS-12-066.
- PACKAGING PER GS-14-376.
- HAIR CRACK IS ACCEPTED, BUT NG FOR THAT WITH APPARENT GAP.
- THE TERMINAL ROW 4 TAIL LENGTH (DIM."C") IS ALLOWED AT 3.15±0.23 AT OUTSIDE POSITION.
- THE DATE CODE IS SHOWN "MM-DD-YY".

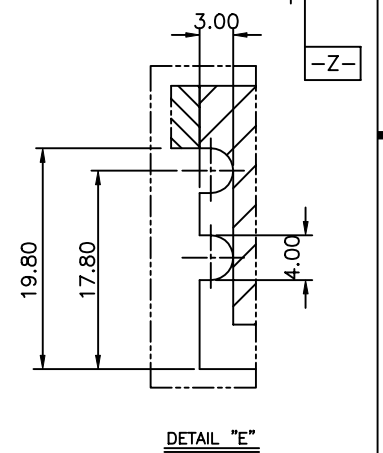
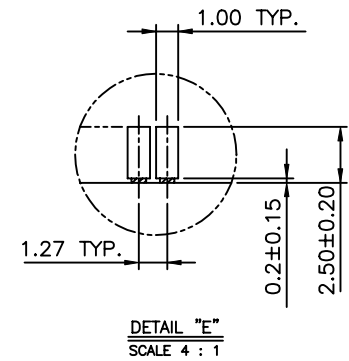
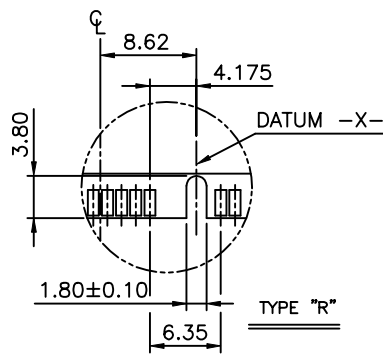
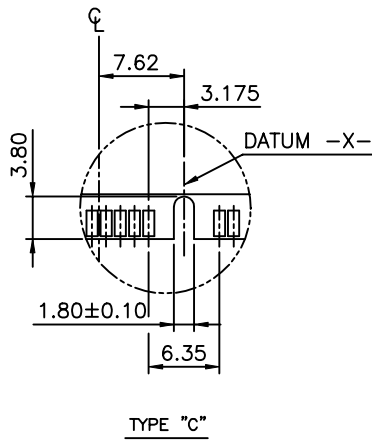
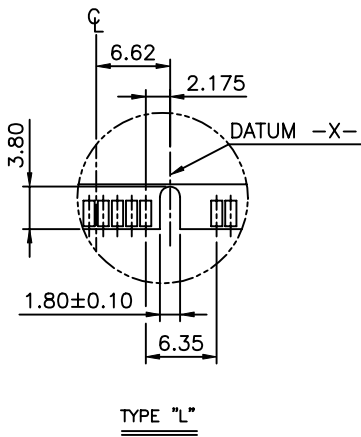
mat'l. code				tolerances unless otherwise specified			CUSTOMER COPY		FCI		www.fciconnect.com	
ltr	ecn no	dr	date	linear	.X ± 0.38		projection	title				
A	T03-0020	M W	01/17/03		.XX ± 0.25			DDR 184P				
B	T03-0194	M W	05/23/03		.XXX ± 0.13			R/A ASS'Y METAL CLIP				
C	T04-0145	M W	04/08/04	angles	0° ± 2°			product family		DDR		
D	T05-0070	M W	04/01/05	dr	MAGGIE WU	01/16/02		size	dwg no		code	
				enr	R Y LIU	01/16/02	scale	A4		57997		
				chr	YUWEN CHU	01/16/02	1:1			TWN		
				appd	JENN TSAO	01/16/02				sheet		
sheet index	revision sheet	D	A	A	D						1 of 4	
		1	2	3	4							

Tous droits strictement réservés. Reproduction ou communication a des tiers interdite sous quelque forme que ce soit sans autorisation écrite du propriétaire. Propriété de c FCI. Droits de reproduction FCI.

All rights strictly reserved. Reproduction or issue to third parties in any form whatever is not permitted without written authority from the proprietor. Property of FCI. Copyright FCI.



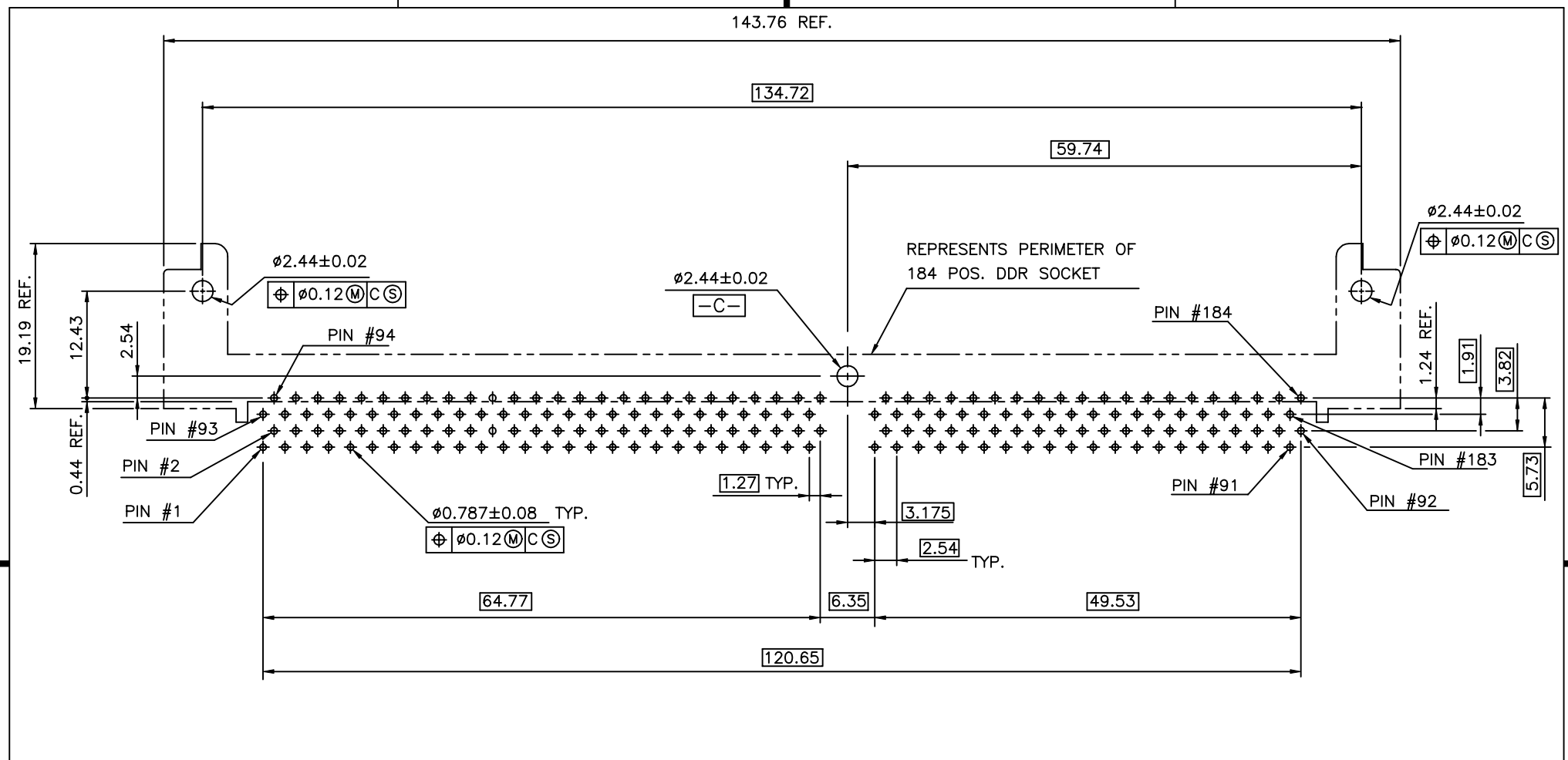
RECOMMENDED MODULE LAYOUT



TYPE "R"	3.3 VOLT.
TYPE "L"	2.5 VOLT.
TYPE "C"	1.8 VOLT.
CENTER KEY	DESCRIPTION


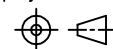
CONFIDENTIAL

mat'l. code				tolerances unless otherwise specified			CUSTOMER COPY		 www.fciconnect.com	
ltr	ecn no	dr	date	linear	.X ± 0.38		projection	title		
A					.XX ± 0.25			DDR 184P		
				angles	.XXX ± 0.13		 MM	R/A ASS'Y METAL CLIP		
					0° ±2°			product family		code
				dr	MAGGIE WU	01/16/02	scale	DDR		TWN
				enr	R Y LIU	01/16/02		size		dwg no
				chr	YUWEN CHU	01/16/02		A4		57997
				appd	JENN TSAO	01/16/02		sheet		2 of
sheet index	revision sheet									



RECOMMENDED CIRCUIT BOARD HOLE LAYOUT

CONFIDENTIAL

mat'l. code				tolerances unless otherwise specified			CUSTOMER COPY		 www.fciconnect.com	
ltr	ecn no	dr	date	linear	.X ± 0.38	projection	title			
A					.XX ± 0.25	 MM	DDR 184P		code	
				angles	.XXX ± 0.13		R/A ASS'Y METAL CLIP		TWN	
				dr	0° ± 2°	scale	product family	DDR	sheet	
				enr	MAGGIE WU 01/16/02	1.5:1	size	DDR	3 of	
				chr	R Y LIU 01/16/02		dwg no			
				appd	YUWEN CHU 01/16/02		A4	57997		
					JENN TSAO 01/16/02					
sheet index	revision sheet									

Tous droits strictement reserves. Reproduction ou communication a des tiers interdite sous quelque forme que ce soit sans autorisation ecrite du proprietaire. Propriete de c FCI. Droits de reproduction FCI.

5 7 9 9 7 - □ □ □ □ □

STYLE

- 1 : FOR 3.3 VOLT.
- 2 : FOR 2.5 VOLT.
- 3 : FOR 1.8 VOLT.

PEG TYPE

- 0 : WITH METAL CLIP + DIM."D"=3.45.
- 1 : WITH METAL CLIP + DIM."D"=3.85.

TAIL LENGTH

CODE	DIM. "B"	DIM. "C"
0	2.54	2.39
1	3.30	3.15


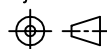
PLATING

CODE	CONTACT	SOLDERTAIL	UNDERPLATE
2	15μ"(0.38μm) MIN. GOLD	100μ"(2.54μm) MIN. TIN/LEAD	50μ" (1.27μm) MIN. NICKEL OVERALL
3	30μ"(0.76μm) MIN. GOLD		
4	3μ" (0.076μm) MIN. GOLD		
2LF	15μ"(0.38μm) MIN. GOLD		
3LF	30μ"(0.76μm) MIN. GOLD	100μ"(2.54μm) MIN. 100% TIN	
4LF	3μ" (0.076μm) MIN. GOLD		

COLOR OF HOUSING AND EJECTOR

0 : BLACK HOUSING + IVORY EJECTOR + BLACK TAIL GUIDE

CONFIDENTIAL

mat'l. code				tolerances unless otherwise specified			CUSTOMER COPY		 www.fciconnect.com	
ltr	ecn no	dr	date	linear	.X ± 0.38		projection	title		
D					.XX ± 0.25				DDR 184P	
				angles	.XXX ± 0.13		R/A ASS'Y METAL CLIP			
					0° ± 2°		product family		code	
				dr	MAGGIE WU	01/16/02	DDR		TWN	
				enr	R Y LIU	01/16/02	size		sheet	
				chr	YUWEN CHU	01/16/02	dwg no		4 of	
				appd	JENN TSAO	01/16/02	A4		57997	
sheet index	revision sheet						scale			
							1:1			

All rights strictly reserved. Reproduction or issue to third parties in any form whatever is not permitted without written authority from the proprietor. Property of FCI. Copyright FCI.