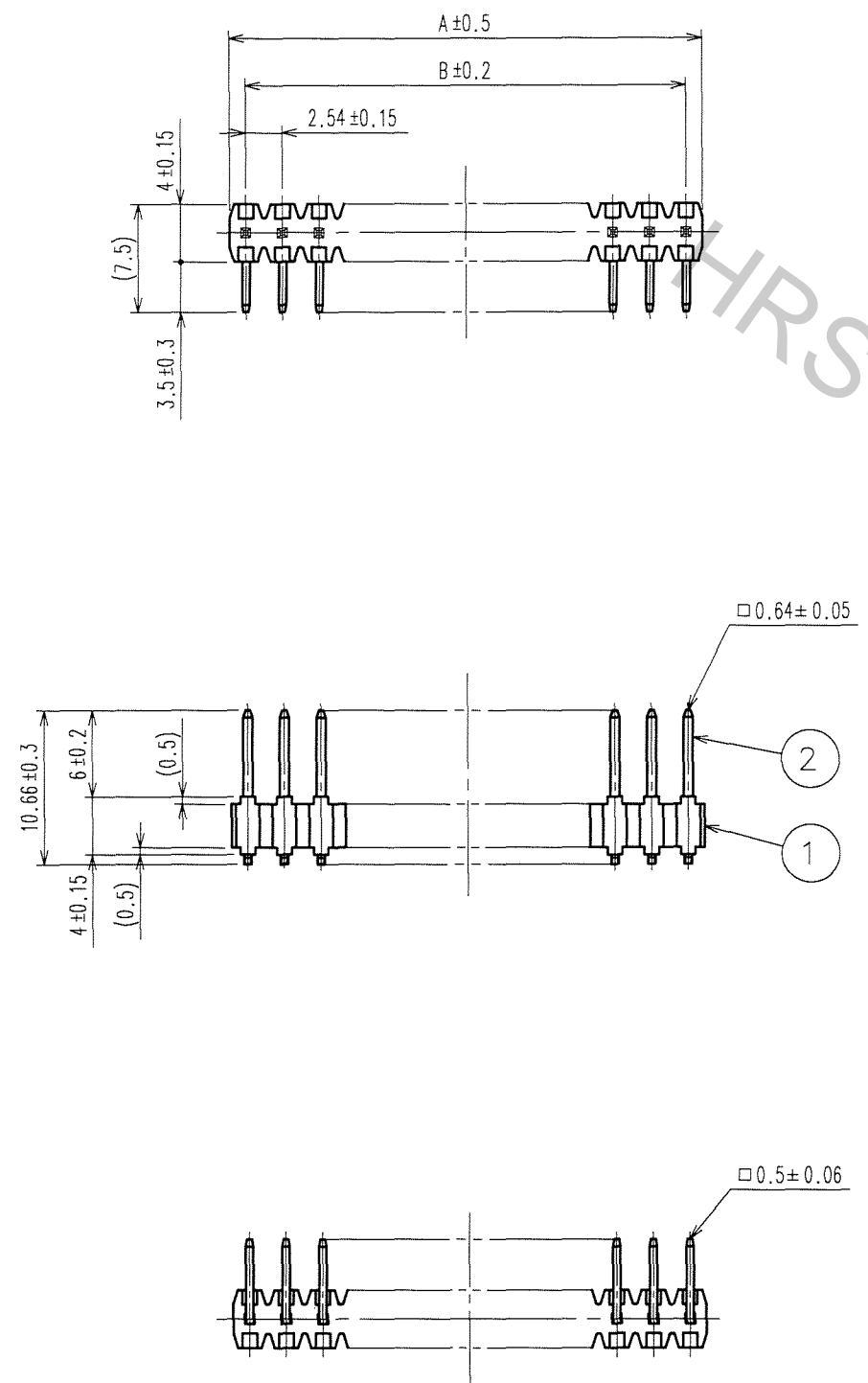
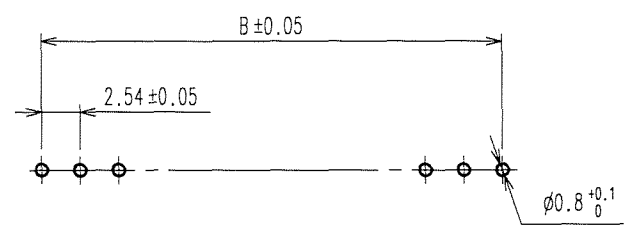


Apr.1.2017 Copyright 2017 HIROSE ELECTRIC CO., LTD. All Rights Reserved.

| COUNT | DESCRIPTION OF REVISIONS | BY | CHKD | DATE | COUNT | DESCRIPTION OF REVISIONS | BY | CHKD | DATE |
|-------|--------------------------|----|------|------|-------|--------------------------|----|------|------|
| △ | | | | | △ | | | | |
| △ | | | | | △ | | | | |
| △ | | | | | △ | | | | |

RECOMMENDED PC BOARD HOLE PATTERN



| PART No. | CODE No. | NUMBER OF PIN | A | B |
|--------------------|-----------------|---------------|-------|-------|
| A2- 1PA-2.54DS(71) | CL620-0001-7-71 | 1 | 2.24 | — |
| A2- 2PA-2.54DS(71) | CL620-0002-0-71 | 2 | 4.78 | 2.54 |
| A2- 3PA-2.54DS(71) | CL620-0003-2-71 | 3 | 7.32 | 5.08 |
| A2- 4PA-2.54DS(71) | CL620-0004-5-71 | 4 | 9.86 | 7.62 |
| A2- 5PA-2.54DS(71) | CL620-0005-8-71 | 5 | 12.40 | 10.16 |
| A2- 6PA-2.54DS(71) | CL620-0006-0-71 | 6 | 14.94 | 12.70 |
| A2- 7PA-2.54DS(71) | CL620-0007-3-71 | 7 | 17.48 | 15.24 |
| A2- 8PA-2.54DS(71) | CL620-0008-6-71 | 8 | 20.02 | 17.78 |
| A2- 9PA-2.54DS(71) | CL620-0009-9-71 | 9 | 22.56 | 20.32 |
| A2-10PA-2.54DS(71) | CL620-0010-8-71 | 10 | 25.10 | 22.86 |
| A2-11PA-2.54DS(71) | CL620-0011-0-71 | 11 | 27.64 | 25.40 |
| A2-12PA-2.54DS(71) | CL620-0012-3-71 | 12 | 30.18 | 27.94 |
| A2-13PA-2.54DS(71) | CL620-0013-6-71 | 13 | 32.72 | 30.48 |
| A2-14PA-2.54DS(71) | CL620-0014-9-71 | 14 | 35.26 | 33.02 |
| A2-15PA-2.54DS(71) | CL620-0015-1-71 | 15 | 37.80 | 35.56 |
| A2-16PA-2.54DS(71) | CL620-0016-4-71 | 16 | 40.34 | 38.10 |
| A2-17PA-2.54DS(71) | CL620-0017-7-71 | 17 | 42.88 | 40.64 |
| A2-18PA-2.54DS(71) | CL620-0018-0-71 | 18 | 45.42 | 43.18 |
| A2-19PA-2.54DS(71) | CL620-0019-2-71 | 19 | 47.96 | 45.72 |
| A2-20PA-2.54DS(71) | CL620-0020-1-71 | 20 | 50.50 | 48.26 |

NOTE 1 THE DIMENSIONS IN PARENTHESES ARE FOR REFERENCE.

| | | | | | | | | | |
|-------------------------------|----------|-----------------|---------|---------------------------------|--------------------------------|-----------------------------------------------------------------------------------------------------|-----------------------------|-------------------------------|--|
| 1 | PBT | BLACK | UL94V-0 | 2 | BRASS | CONTACT AREA:GOLD 0.2μ m min. DIP AREA:TIN-PLATING 2μ m min. UNDER PLATING:NICKEL 2.5μ m min. | | | |
| NO. | MATERIAL | FINISH, REMARKS | | NO. | MATERIAL | FINISH, REMARKS | | | |
| CODE NO.(OLD) CL | | | | DRAWN | DESIGNED | CHECKED | APPROVED | RELEASED | |
| | | | | A.SUZUKAWA 06.04.11 | <i>A. Nakamura</i> 06.04.11 | <i>K. Ogawa</i> 06.04.12 | <i>H. Okawa</i> 06.04.12 | | |
| DRAWING NO. EDC3-084168-21 | | | | PART NO. A2-***PA-2.54DS(71) | | | | | |
| SCALE 2 : 1 | | | | UNITS mm | | | | DRAWING NO. EDC3-084168-21 | |
| HIROSE ELECTRIC CO., LTD | | | | CODE NO. CL620 | | | | 1/1 | |

TO