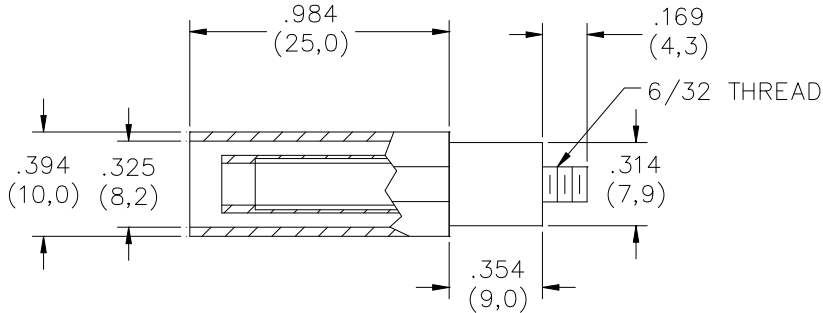


Model 6720 Adapter, 6/32 Terminal Strip to Standard Sheath Banana Plug



Features:

- ✓ Adapter provides an easy and quick banana jack connection by replacing the screw in a terminal strip.
- ✓ Allows a standard sheathed banana plug / patch cord to securely connect to a terminal strip.
- ✓ Helps to avoid accidental arc-over by eliminating the usage of alligator clips, or test probe “slip offs” during measurement applications.
- ✓ Ideal for routine measurements.

Materials:

Banana Jack:	Nickel Plated Brass
Insulation:	Nylon 6

Ratings:

Voltage:	600 Vrms; For <i>CE compliance</i> : not intended for hand held use at voltage above 33 Vrms / 70 Vdc.
Current:	20 A
Temperature:	-10 to +55 C
Torque:	7 In/Lb

Ordering Information:

6720-0	Black
6720-2	Red

All dimensions are in inches. Tolerances (except noted): .xx = ±.02" (.51 mm), .xxx = ±.005" (.127 mm).
All specifications are to the latest revisions. Specifications are subject to change without notice.
Registered trademarks are the property of their respective companies. Made in USA

Sales: 800-490-2361 Fax: 425-446-5844 Technical Assistance: technicalsupport@pomonatest.com
For “Where to Buy” information, visit the Pomona web site at www.pomonaelectronics.com