

THIS DRAWING IS UNPUBLISHED.

RELEASED FOR PUBLICATION

2006

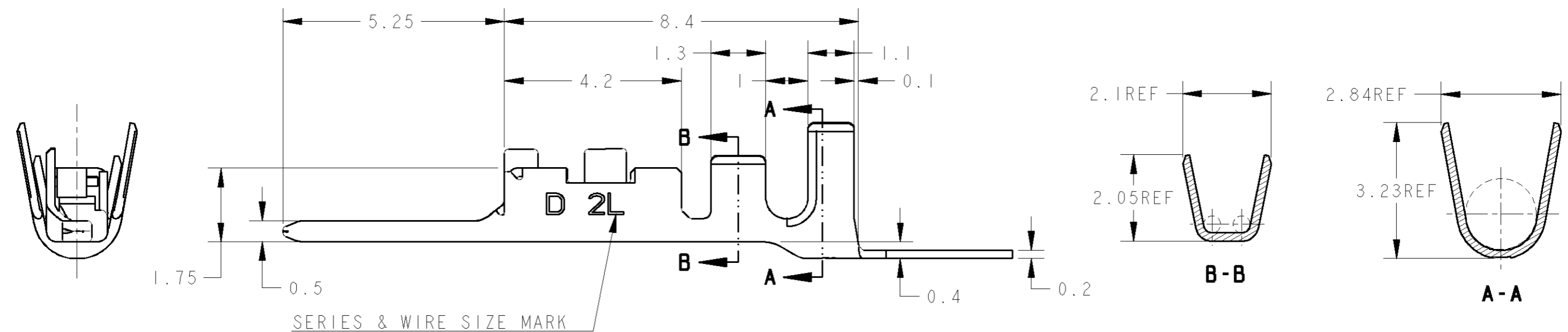
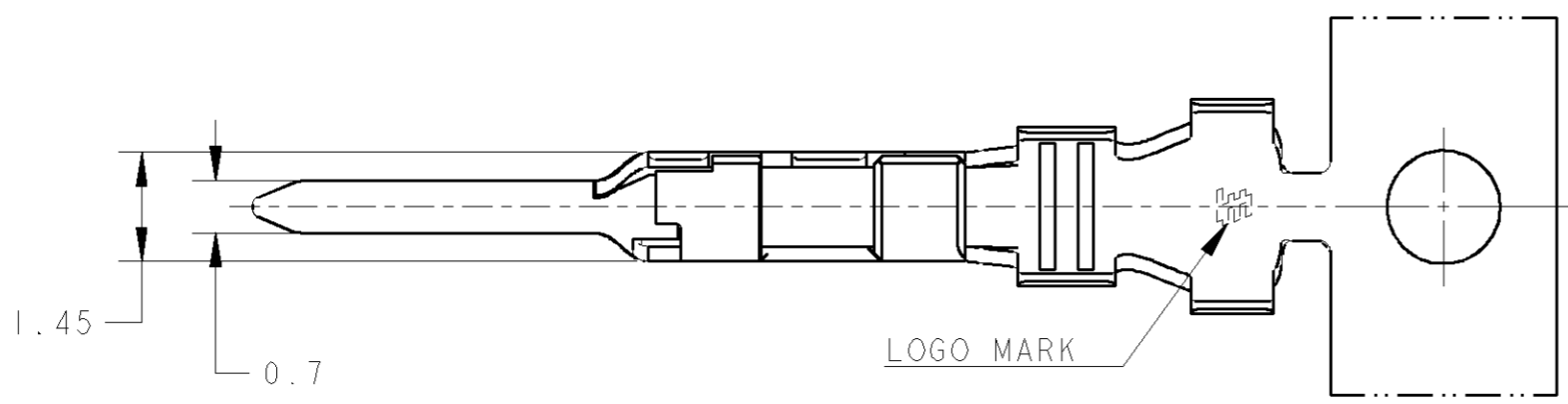
LOC J

DIST

REVISIONS

© COPYRIGHT 2006 BY TYCO ELECTRONICS CORPORATION. ALL INTERNATIONAL RIGHTS RESERVED.

P	LTR	DESCRIPTION	DATE	DWN	APVD
	B	REVISED PER ECR-10-010439	07JUN2010	HMR	T.M



AS SHOWN: 1903114-2

△ COPPER ALLOY: FINISH; CONTACT AREA Au 0.38μmMIN, OVER Ni 1.27μmMIN △ 銅合金: 下地; 全面ニッケルめっき1.27μm以上, 接点部; 金めっき0.38μm以上	1903114-2
MATERIAL (材料)	PART NO (型番)

1. APPLICATION TAB-HSG IS APPLIED TO THE PRODUCT OF 2.5mm PITCH OR MORE OF DYNAMIC D1000 SERIES. 2.0mm PITCH CANNOT BE USED.
2. THE SHAPE, SIZE AND POSITION OF THE CHARACTER SHOW THE OUTLINE. THEY DON'T SHOW DETAILS.

1. DYNAMIC D1000シリーズの2.5mmピッチ以上のTAB-HSG製品に適用。
2.0mmピッチの製品には使用不可。
2. 文字の形状、大きさ、および位置については、大略を示すものであり、
詳細を示すものではありません。

THIS DRAWING IS A CONTROLLED DOCUMENT FOR TYCO ELECTRONICS CORPORATION IT IS SUBJECT TO CHANGE AND THE CONTROLLING ENGINEERING ORGANIZATION SHOULD BE CONTACTED FOR THE LATEST REVISION.		DWN M. MAEBASHI 11APR2006 CHK T. KUDO 11APR2006 APVD D. MITSUGI 11APR2006		WIRE RANGE 包合電線断面面積 mm ² 0.34~0.86 AWG #22~#18 INSULATION DIA 被覆外径 φ1.4~φ2.2	
DIMENSIONS: 単位: 概 mm 		TOLERANCES UNLESS OTHERWISE SPECIFIED: 一般公差 ±0.3, ±3° 0-PLC ± 1-PLC ± 2-PLC ± 3-PLC ± 4-PLC ± ANGLES ±3°		Tyco Electronics Tyco Electronics Corporation Kawasaki, Japan	
MATERIAL 材料 △ FINISH 仕上 △		PRODUCT SPEC 108-78268 APPLICATION SPEC 取付適用規格 114-5377 WEIGHT 0.137 g		NAME 名称 DYNAMIC D1000 SERIES TAB CONTACT Au, 2L-TYPE REEL	
CUSTOMER DRAWING		SIZE A3 CAGE CODE 00779 DRAWING NO. 1903114 RESTRICTED TO		SCALE 尺度 10:1 SHEET 1 OF 1 REV B	