

**Product number C10428\_CUTE-3-SS**

Family	Cute	FWHM	11 degrees
Type	Lens array	Efficiency	-
LED	XR-E	cd/lm	15.770
Color	Clear	Gerber File	Available
Diameter	35 mm		
Height	15 mm		
Style	Round		
Optic Material	PMMA		
Holder Material	-		
Fastening	["pin", "glue"]		
Status	Production ready		

**Product number C10427\_CUTE-3-M**

Family	Cute	FWHM	17 degrees
Type	Lens array	Efficiency	-
LED	XR-E	cd/lm	5.500
Color	Clear	Gerber File	Available
Diameter	35 mm		
Height	15 mm		
Style	Round		
Optic Material	PMMA		
Holder Material	-		
Fastening	["pin", "glue"]		
Status	Production ready		

**Product number C10429\_CUTE-3-W**

Family	Cute	FWHM	34 degrees
Type	Lens array	Efficiency	-
LED	XR-E	cd/lm	2.030
Color	Clear	Gerber File	Available
Diameter	35 mm		
Height	15 mm		
Style	Round		
Optic Material	PMMA		
Holder Material	-		
Fastening	["pin", "glue"]		
Status	Production ready		

**NOTE: The typical divergence will be changed by different color, chip size and chip position tolerance. The typical total divergence is the full angle measured where the luminous intensity is half of the peak value.**



## PRODUCT DATASHEET

### Cute series

last update 14/7/2016

#### GENERAL INFORMATION

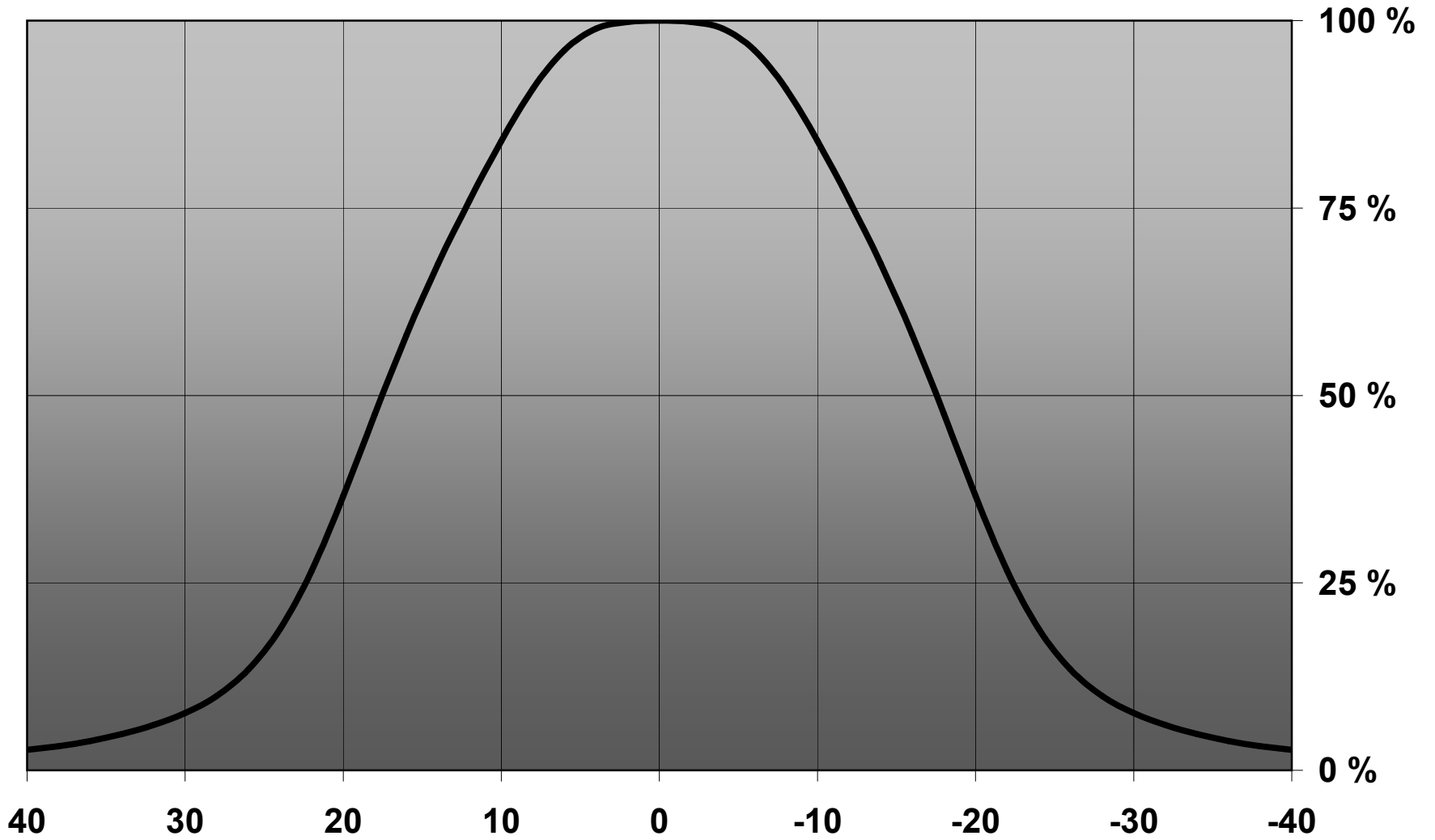
- Product series especially designed & optimized for XR-E series of LEDs.
- Special care taken to make light distribution as uniform as possible.
- Lens material optical grade PMMA with high UV and temperature resistance. Allows use of high current and temperature conditions.

Please find more information about used material from below:

[http://ledil.fi/sites/default/files/Documents/Technical/Material/PMMA%20N%20UL94\\_Yellow%20Card.pdf](http://ledil.fi/sites/default/files/Documents/Technical/Material/PMMA%20N%20UL94_Yellow%20Card.pdf)

<http://ledil.fi/sites/default/files/Documents/Technical/Material/PMMA%20N%20PLEXIGLAS-Datasheet.pdf>

# Relative Intensity of C10429\_Cute-3-W



D

C

B

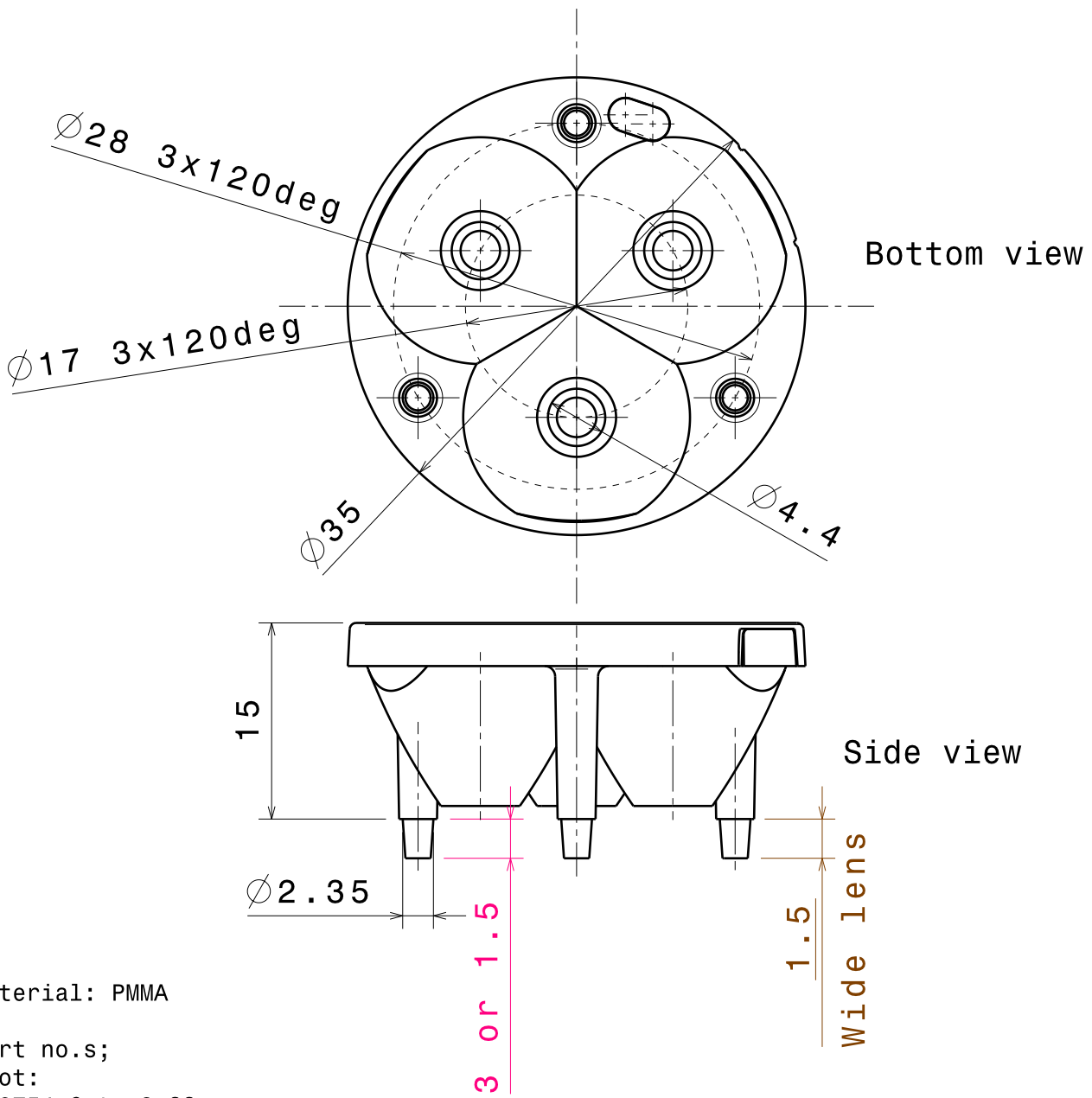
A

4

3

2

1



Material: PMMA

Part no.s;  
 Spot:  
 C10754\_Cute-3-SS  
 C11333\_Cute-3-SS, pin head length =1.5mm  
 Medium:  
 C10755\_Cute-3-M  
 C11334\_Cute-3-M, pin head length =1.5mm  
 Wide:  
 C10756\_Cute-3-W

This drawing is our property.  
 It can't be reproduced  
 or communicated without  
 our written agreement.



Ledil Oy  
 Tehdaskatu 13  
 FIN-24100 SALO  
 Finland

DRAWING TITLE

Datasheet Cute-3 Lens Series

DRAWN BY pv	DATE 08.02.2010	DRAWING TITLE Datasheet Cute-3 Lens Series		
CHECKED BY TK	DATE 09.09.2008	SIZE A4	DRAWING NUMBER	REV 1
DESIGNED BY HH	DATE 09.09.2008	SCALE 2:1	WEIGHT (g)	SHEET 1/1

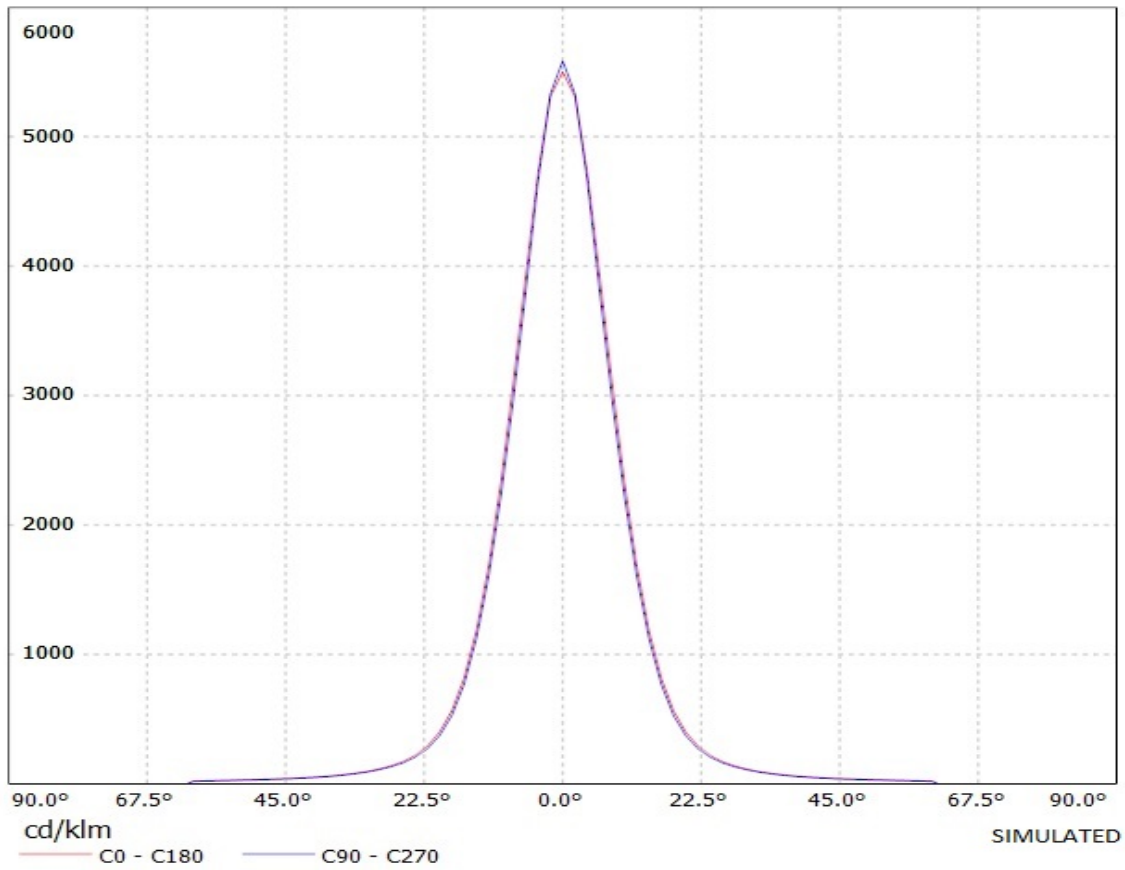
D

A

1

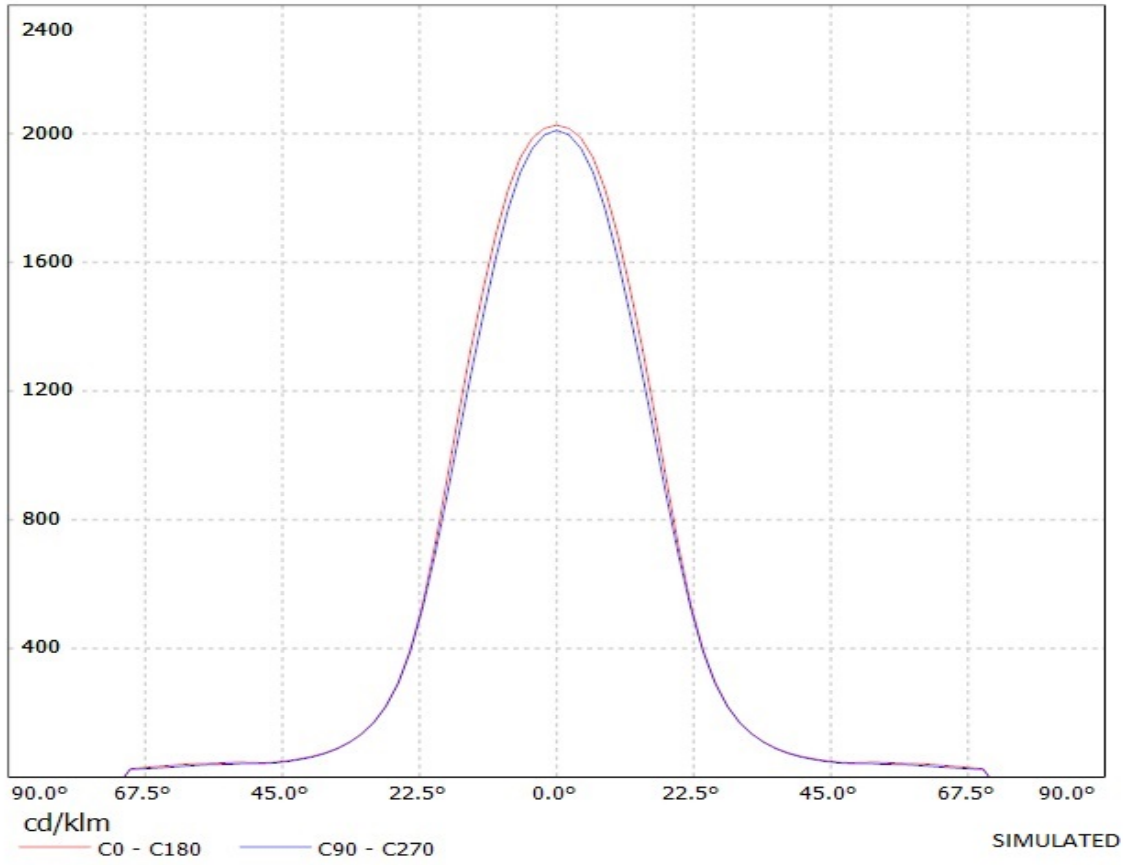
# Ledil Oy 10427\_Cute-3-M 10427\_Cute-3-M / LDC (Linear)

Luminaire: Ledil Oy 10427\_Cute-3-M 10427\_Cute-3-M  
Lamps: 1 x Cree XR-E 3PCB (white)



# Ledil Oy C10429\_Cute-3-W C10429\_Cute-3-W / LDC (Linear)

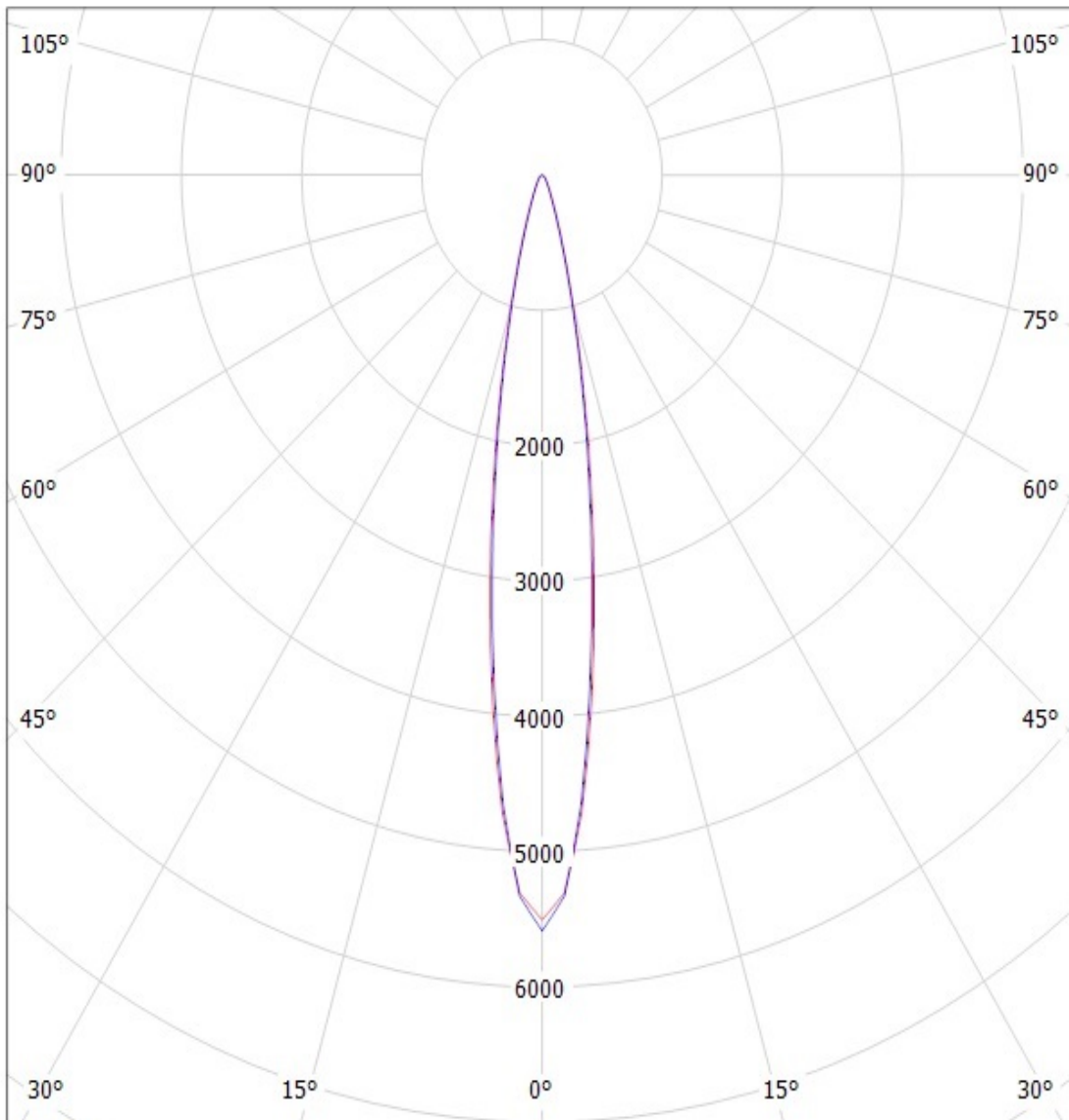
Luminaire: Ledil Oy C10429\_Cute-3-W C10429\_Cute-3-W  
Lamps: 3 x Cree XR-E (White)



# Ledil Oy 10427\_Cute-3-M 10427\_Cute-3-M / LDC (Polar)

Luminaire: Ledil Oy 10427\_Cute-3-M 10427\_Cute-3-M

Lamps: 1 x Cree XR-E 3PCB (white)



cd/klm

— C0 - C180

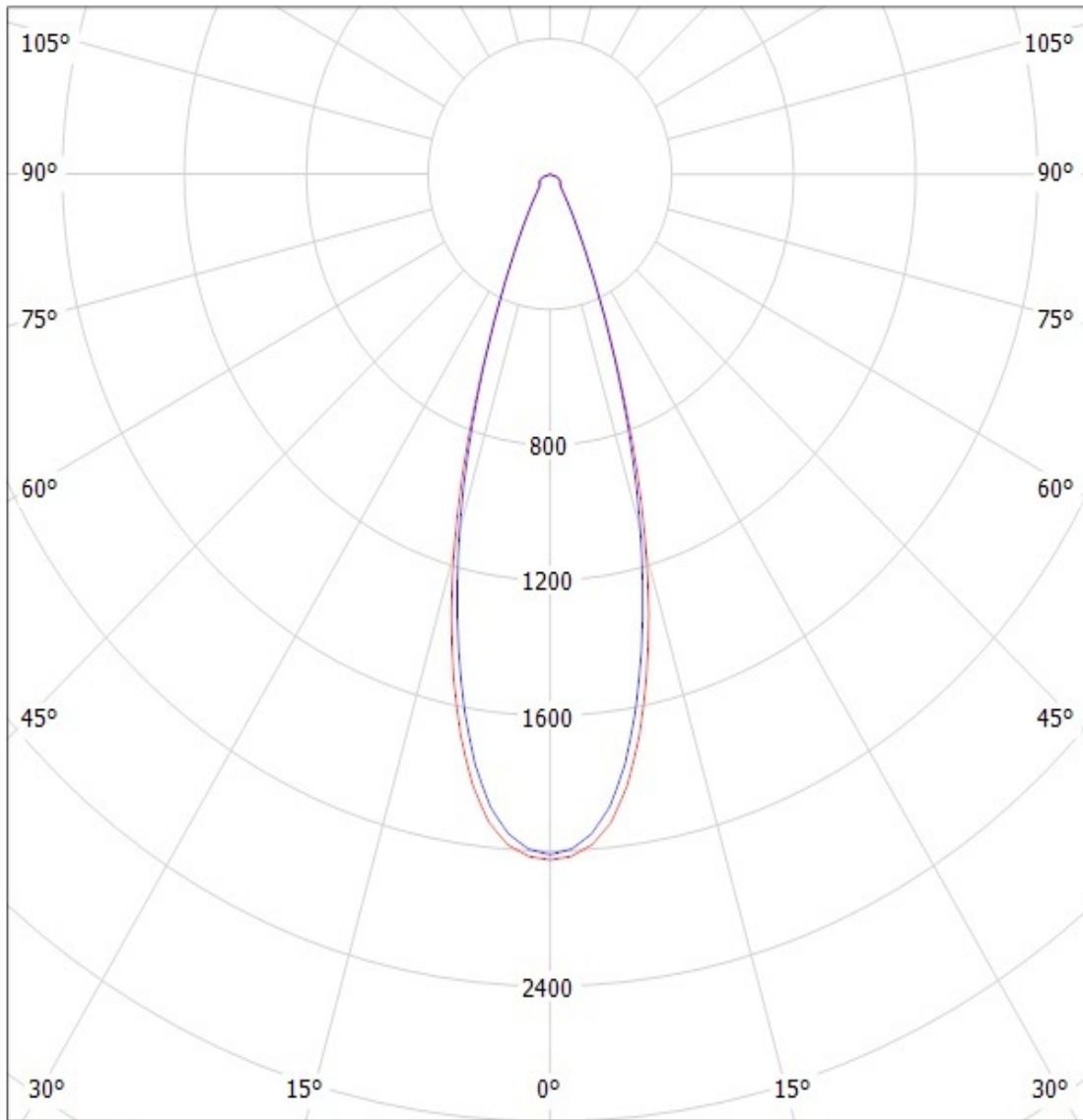
— C90 - C270

SIMULATED

# Ledil Oy C10429\_Cute-3-W C10429\_Cute-3-W / LDC (Polar)

Luminaire: Ledil Oy C10429\_Cute-3-W C10429\_Cute-3-W

Lamps: 3 x Cree XR-E (White)



cd/klm

— C0 - C180

— C90 - C270

SIMULATED