



# PRODUCT DATASHEET

## Florence series

last update 8/9/2014

### DETAILS

<b>Product Number</b>	C14353_FLORENCE-1R-CLIP-A
<b>Family</b>	Florence
<b>Type</b>	Accessory
<b>Color</b>	clear
<b>Diameter</b>	63,5x9 mm
<b>Height</b>	8,43 mm
<b>Style</b>	
<b>Optic Material</b>	
<b>Holder Material</b>	
<b>Fastening</b>	clips, screw
<b>Status</b>	production ready
<b>ROHS Compliant</b>	Yes
<b>Date Updated</b>	8/09/2014



### OPTICAL PROPERTIES

LED	Viewing Angle	Light Beam	Efficiency	cd/lm	Connector
-	N/A deg		-	-	-

D

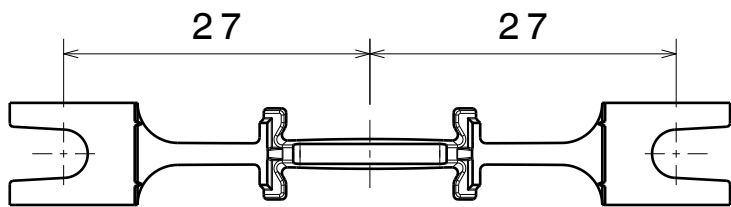
C

B

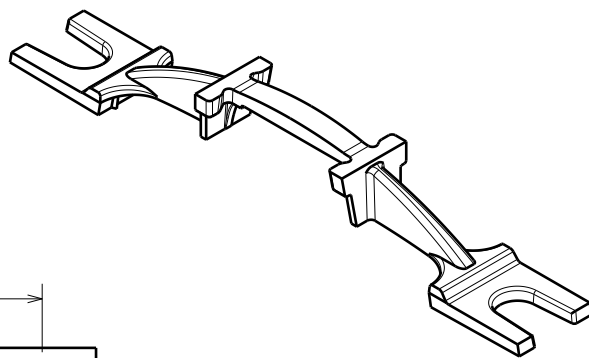
A

4

4



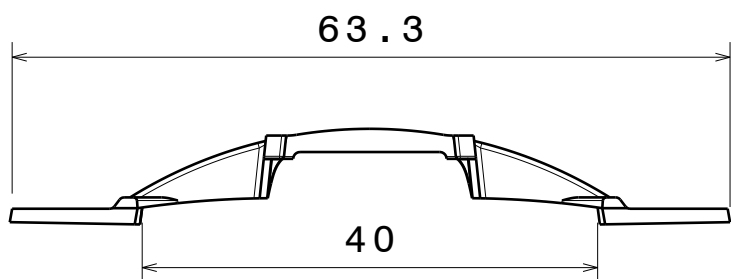
Bottom view



Isometric view

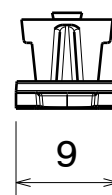
3

3



Right view

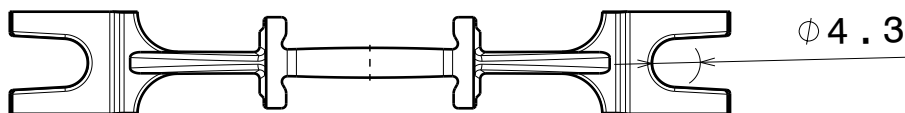
PCB max width  
PCB max height: 1.6mm



Front view

2

2



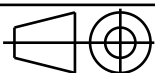
Top view

Tolerances if not otherwise shown  
According to DIN ISO 2768-1  
Linear measures: class C  
According to DIN ISO 2768-2  
Form and position: class L



Ledil Oy  
Salorankatu 10  
FIN 24240 SALO  
Finland

THIRD ANGLE PROJECTION:



DRAWING TITLE

FLORENCE-1R-CLIP-A Datasheet

This drawing is the property of LEDiL Oy. It may not be reproduced, copied or communicated without a written agreement with LEDiL Oy.

SIZE

PART NUMBER

A4

C14353

SCALE

3:2

WEIGHT

-

SHEET

1/1

1

1

D

A

**NOTE: The typical divergence will be changed by different color, chip size and chip position tolerance. The typical total divergence is the full angle measured where the luminous intensity is half of the peak value.**