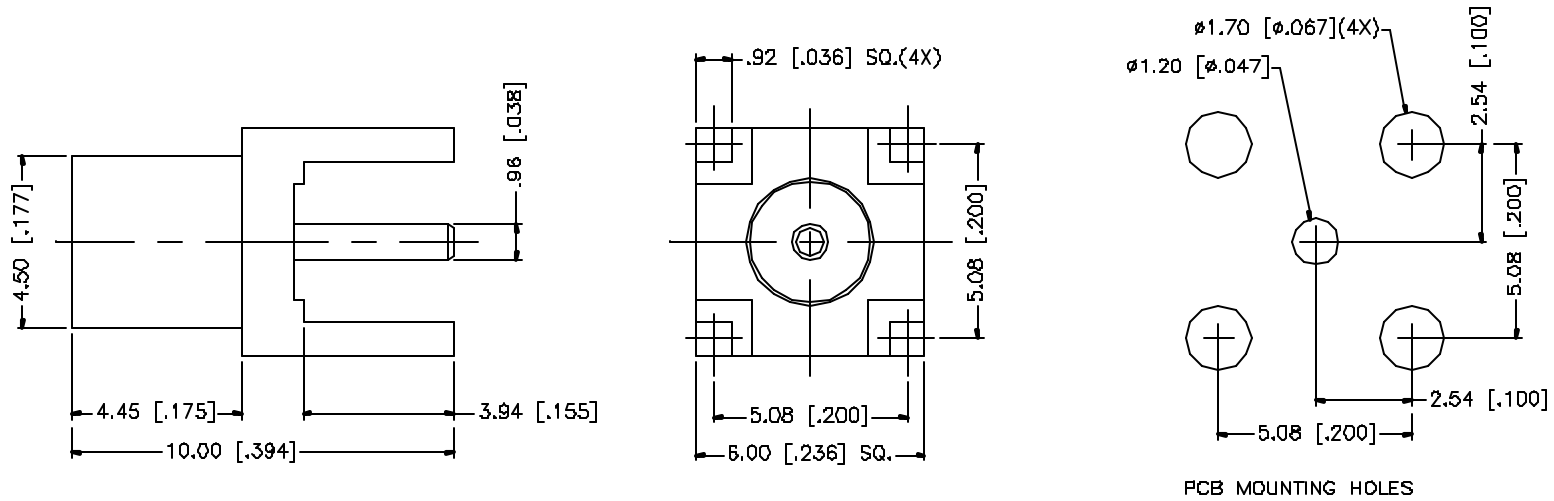


| REV. | DATE | DESCRIPTION |
|------|----------|----------------------------|
| A | 12/09/04 | MODIFY OVERALL PART LENGTH |



PCB MOUNTING HOLES

| | | | | | | | | | | | | | | |
|---|-------------|-------------|---------|---------|---|----------------------|----------|--|------|---|------|---|-------|----|
| 8 | | | | | <p>UNLESS OTHERWISE SPECIFIED DIMENSIONS ARE IN MILLIMETERS. DIMENSIONS IN [] ARE IN INCHES AND FOR CUSTOMER REFERENCE ONLY.</p> <p>UNLESS OTHERWISE SPECIFIED TOLERANCES FOR MILLIMETERS ARE: 0.5 - 8mm ± 0.20mm 8 - 30mm ± 0.40mm 30 - 120mm ± 0.50mm</p> <p>UNLESS OTHERWISE SPECIFIED TOLERANCES FOR INCHES ARE: .020 - .315 = ± 0.007" .315 - 1.180 = ± 0.015" 1.180 - 4.724 = ± 0.020"</p> <p>DO NOT SCALE DRAWING</p> | APPROVALS | DATE | <h1 style="color: blue; margin: 0;">Amphenol Connex</h1> <p style="margin: 0;">PART DESCRIPTION MCX P.C. BOARD RECEPTACLE JACK - 75ohm (3.94 [.155"] LEGS)</p> <p style="margin: 0;">PART NO. 252105-75</p> | | | | | | |
| 7 | | | | DRAWN | | G.R.S. | 12/09/04 | | | | | | | |
| 6 | | | | CHECKED | | | | | | | | | | |
| 5 | | | | ISSUED | | | | | | | | | | |
| 4 | | | | | | | | | | | | | | |
| 3 | CONTACT PIN | BER. COPPER | GOLD | 1 | | | | | | | | | | |
| 2 | INSULATOR | TEFLON | NATURAL | 1 | | | | | | | | | | |
| 1 | BODY | BRASS | GOLD | 1 | | | | | | | | | | |
| | DESCRIPTION | MATERIAL | FINISH | QTY | | | | | | | | | | |
| | | | | | DWG. FILE | C:/225/252105-75.DWG | DWG. NO. | 252105-75.DWG | REV. | A | SIZE | A | SCALE | NA |