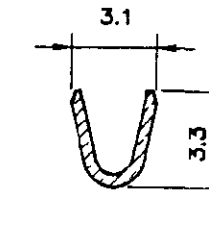
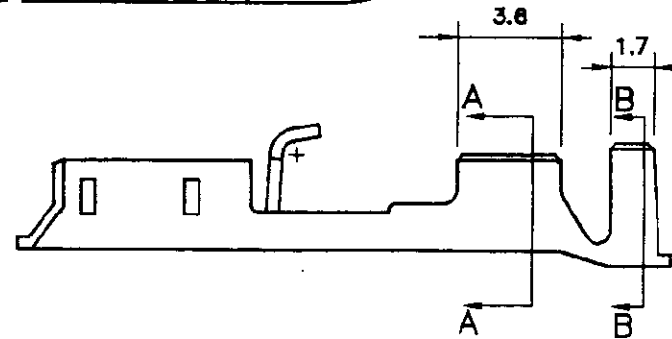
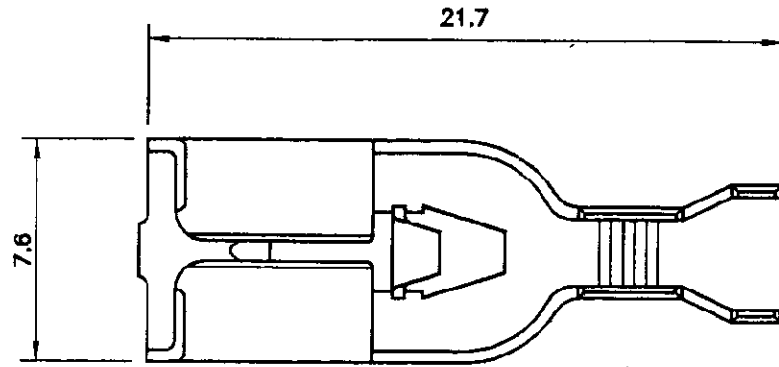
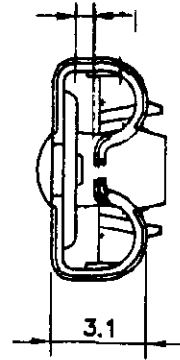
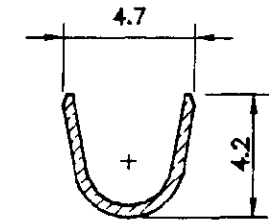


DRAWING MADE IN THIRD ANGLE PROJECTION

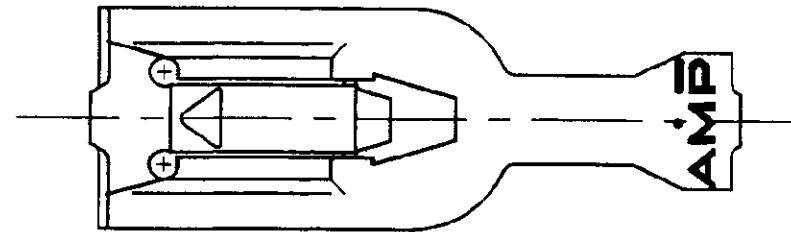
TO FIT AUSTRALIAN STANDARD
HOLE TAB (AS 3169)



SECTION A-A



SECTION B-B



THIS INFORMATION IS CONFIDENTIAL AND DISCLOSED TO YOU ON CONDITION THAT NO FURTHER DISCLOSURE IS MADE BY YOU TO OTHER THAN AMP PERSONNEL WITHOUT WRITTEN AUTHORIZATION FROM AUSTRALIAN AMP

CONTROLLED

WIRE RANGE: 0.5-1.5 sq mm		-	PRE TIN	BRASS	190679-2
INSULATION RANGE: Ø2.29-3.3 mm		-	-	BRASS	190679-1
REVISION RECORD		REMARKS	FINISH	MATERIAL	PART No
P F LTR		SIZE 0.0±0.013X19.3±0.05			
B A		DATE 06/04/94	CHK FP	AMP Australian AMP Pty. Limited Rusden Austn. OSTRE VILL VIC	
EON FA 00 0003 85		DR RB	APP BL	NAME	
EON 84018		RECEPTACLE, POSI-LOCK, MKII, 0.250			LOC CODE U
BL 17/5/93		SCALE AS 4:1 or shown	SIZE A3	DWG No. C-190679	SHEET 1 OF 1
BL 8/4/94		CUSTOMER DRAWING			REV B

ORIGINAL