

MODEL NUMBER
PWD-5532-03-TNC-79
REV. 1

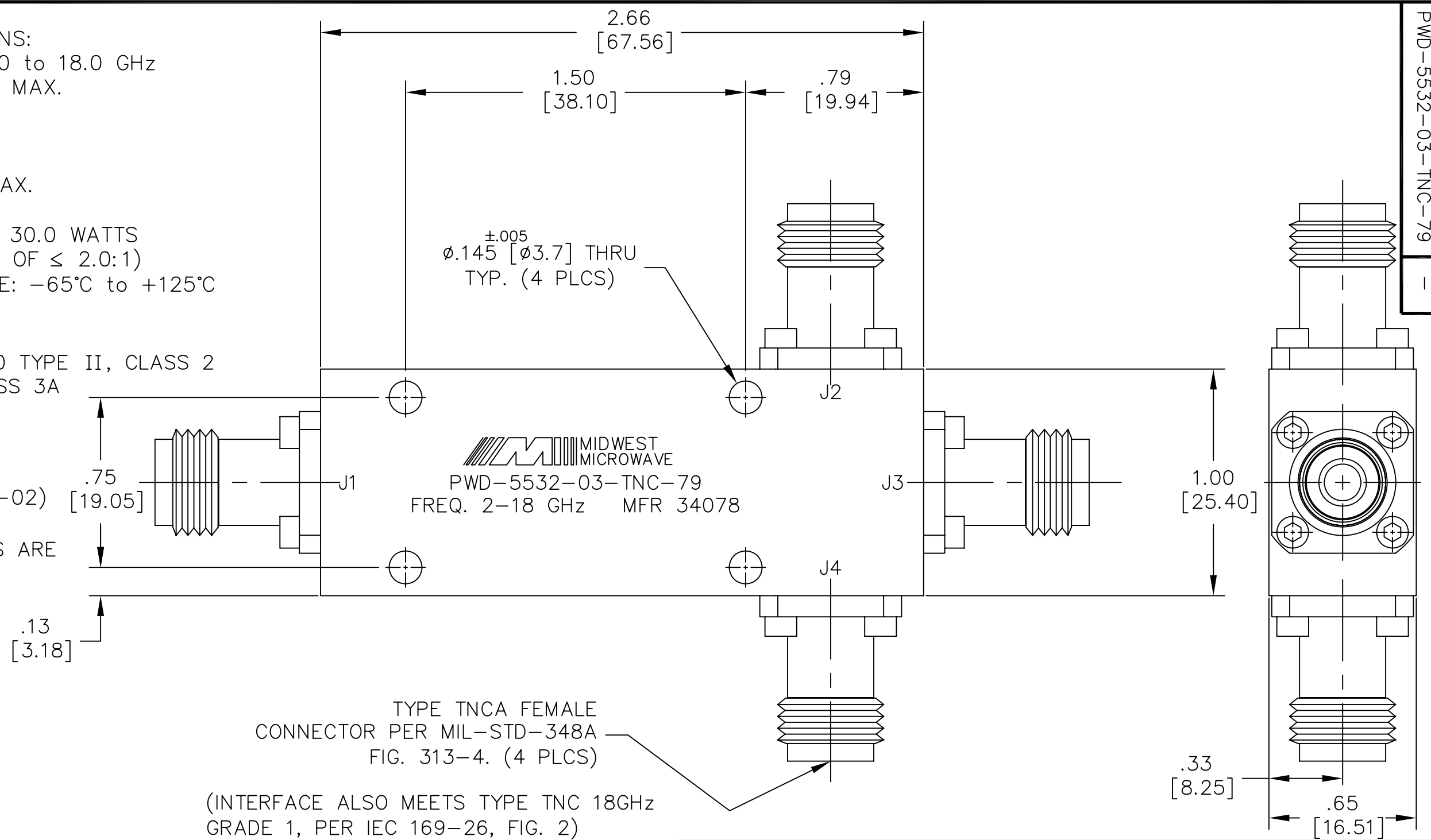
NOTES:

- 1.0 ELECTRICAL SPECIFICATIONS:
 1.1 FREQUENCY RANGE: 2.0 to 18.0 GHz
 1.2 INSERTION LOSS: 1.2dB MAX.
 1.3 ISOLATION: 18dB MIN.
 1.4 VSWR: 1.80:1 MAX.
 1.5 OUTPUT UNBALANCE:
 1.5.1 AMPLITUDE: 0.6dB MAX.
 1.5.2 PHASE: 10° MAX.
 1.6 MAXIMUM INPUT POWER: 30.0 WATTS
 (WITH OUTPUT LOADS OF ≤ 2.0:1)
 1.7 OPERATING TEMP. RANGE: -65°C to +125°C

- 2.0 FINISHING
 2.1 GREY OVER MIL-E-15090 TYPE II, CLASS 2
 OVER MIL-C-5541 CLASS 3A
 MEETS MIL-F-14072
 MEETS MIL-E-5400

- 2.2 MARK UNIT AS SHOWN.
 (REF.: SLK-09425-82-02)

- 3.0 DIMENSIONS IN BRACKETS ARE
 IN MILLIMETERS.



DATE	7/28/99
DESCRIPTION	RELEASED
REV.	-

UNLESS OTHERWISE NOTED DIMENSIONS ARE IN INCHES AND TOLERANCES ARE: 3 PLACE DECIMALS $\pm .005$ 2 PLACE DECIMALS $\pm .02$ FRACTIONS $\pm 1/64$ PARALLELITY: T.I.R. _____ FLATNESS: T.I.R. _____ CONCENTRICITY: T.I.R. _____ ANGLES AND PERPENDICULARITY: $\pm 1^\circ$	FSCM NO. 34078	MIDWEST MICROWAVE
	NOTICE: The information contained in this drawing is proprietary and must not be used without the permission of Midwest Microwave	
DRAWN/DATE M. STAFFORD 7/23/99		ENG./DATE P. GOODMAN 7/26/99
CHECKED/DATE		APPROVED/DATE
DRAWING NUMBER PWD-5532-03-TNC-79		TITLE POWER DIVIDER
SCALE: 2=1		SHEET 1 of 1