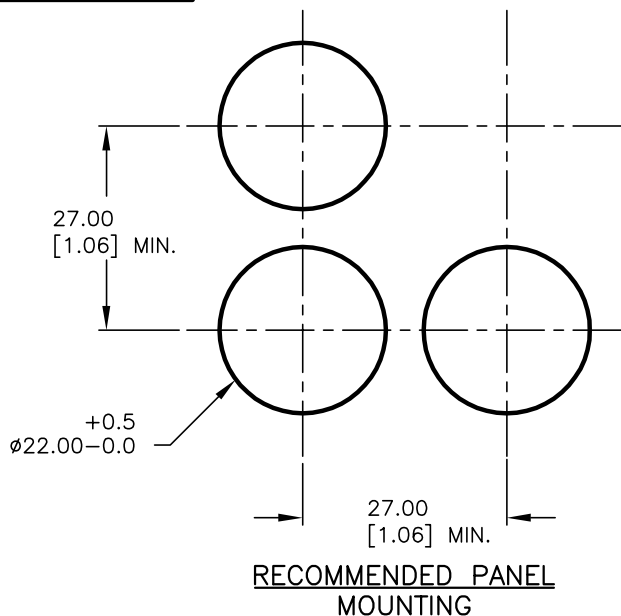


| Item | Qty. | Dwg. No. | Part No. |
|------|------|----------|-----------------------------|
| 1 | 1 | F051702 | 25mm RING FOR LA SERIES |
| 2 | 1 | F060606 | LASOAV110 |
| 3 | 1 | F061255 | 25mm RED LENS (TRANSPARENT) |
| 4 | 1 | F050420 | 50-004-20 RED L.E.D. |

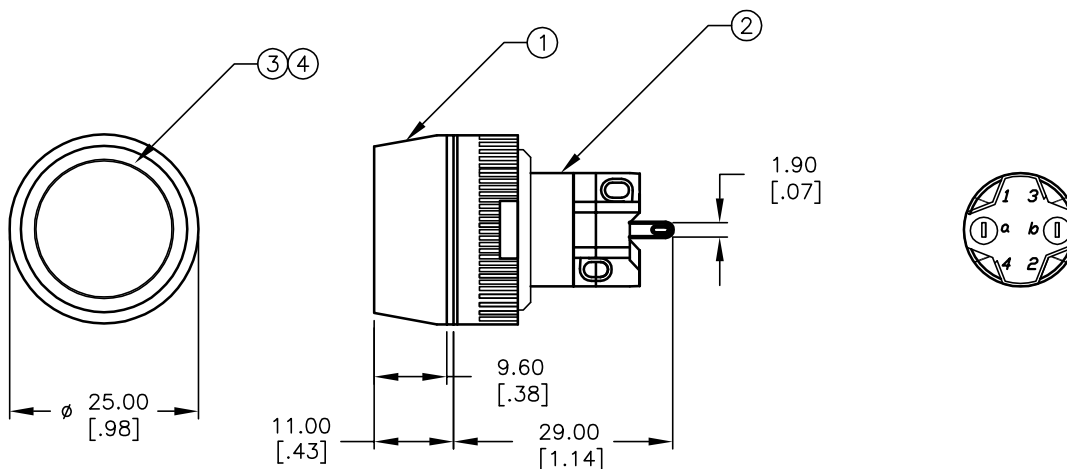


1 0 0 2
 3 0 0 4
 a-(L)-b (+)

SPST CONTACT CONFIGURATION

NOTES:

1. ALL DIMENSIONS IN MM
2. GENERAL TOLERANCE: X.X=±0.4
X.XX=±0.25
3. RATINGS: 5A@250V AC,
8A@125V AC
4. CONTACT MATERIAL: COPPER ALLOY W/Gold Plating
5. TRAVEL: 3.0mm (Total) 2.0mm (Latch)
6. MECHANICAL LIFE: >100,000 Cycles
7. ELECTRICAL LIFE: >50,000 Cycles
8. INSULATION RESISTANCE: >1000 MILLI-OHMS
9. OPERATING TEMP: -20°C to 55°C
- ▲ 10. LAMP VOLTAGE: 12VDC (L.E.D.)
11. ▲ DENOTES CRITICAL PARAMETER.



E-SWITCH®

| | | | | | |
|-------|---------|-----------------|---------|-----|--|
| TITLE | | LASOAV11JREDRED | | | |
| SCALE | DATE | DR | DWG | REV | |
| 1:1 | 5/20/04 | AR | XF0587P | A | |

| | | | | |
|--|---------|-------------------------|---------|------|
| A | 14034 | RELEASED FOR PRODUCTION | 5/20/04 | AR |
| REV. | ECN No. | DESCRIPTION | DATE | CHKD |
| THE INFORMATION CONTAINED IN THIS DOCUMENT IS PROPRIETARY TO E-SWITCH AND IS NOT TO BE COPIED OR TRANSFERRED | | | | |