

## DETAILS

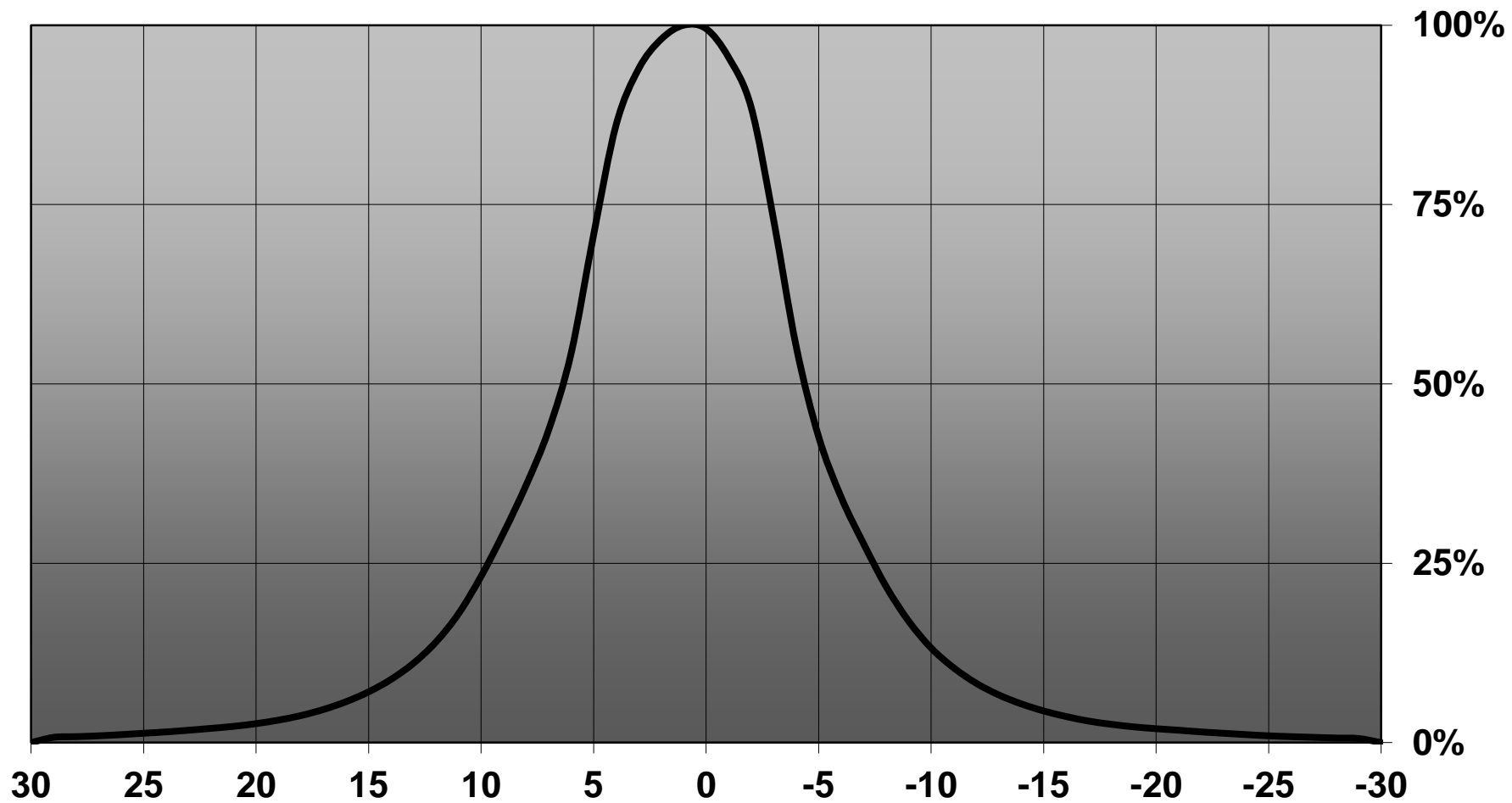
<b>Product Number</b>	CP12938_LARISA-RS-CLIP8
<b>Family</b>	Larisa
<b>Type</b>	Assembly
<b>Color</b>	black
<b>Diameter</b>	9,9 x 9,9 mm
<b>Height</b>	7,5 mm
<b>Style</b>	square
<b>Optic Material</b>	PMMA
<b>Holder Material</b>	
<b>Fastening</b>	clips
<b>Status</b>	production ready
<b>ROHS Compliant</b>	Yes
<b>Date Updated</b>	9/12/2016



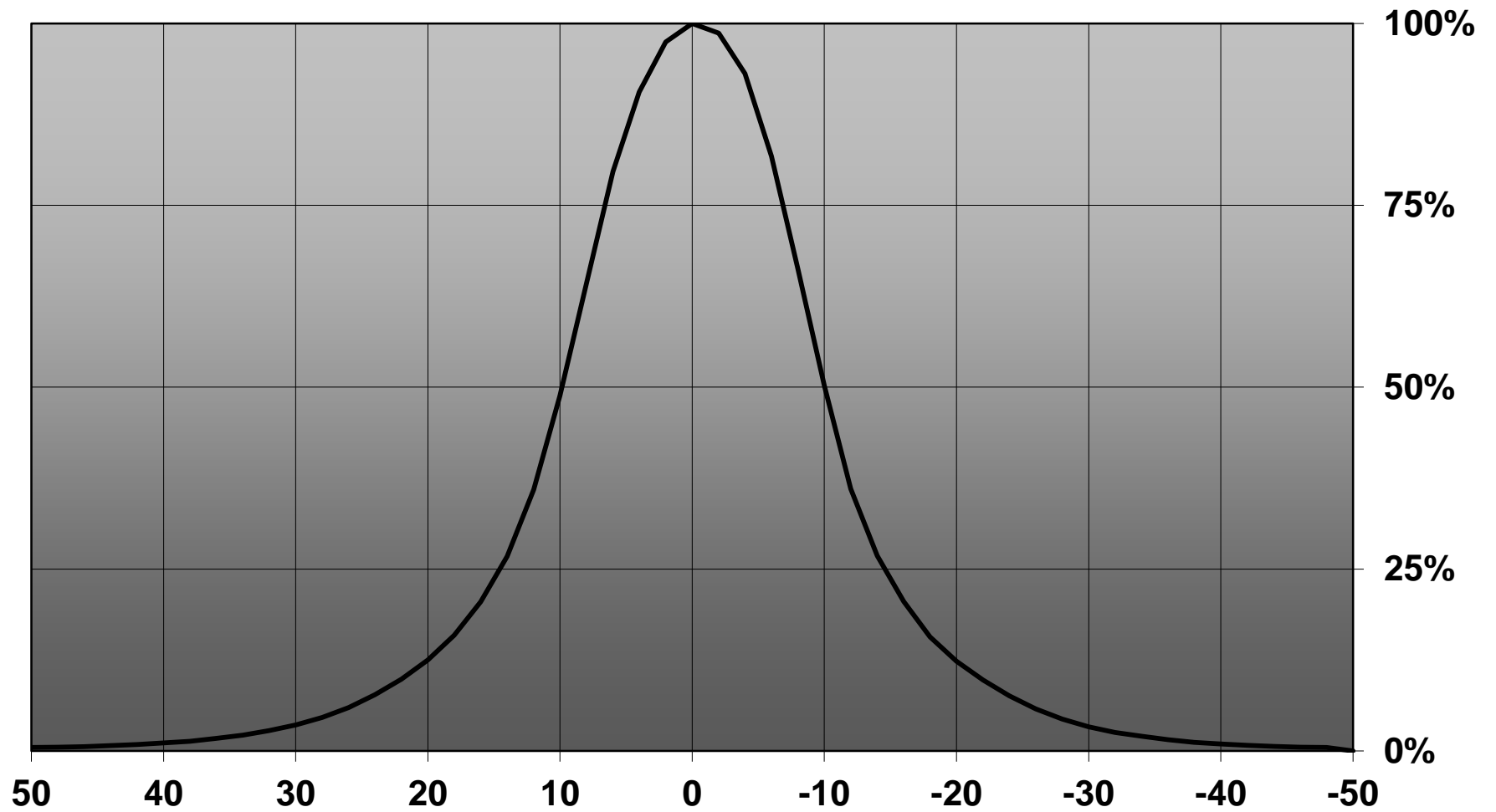
## OPTICAL PROPERTIES

LED	Viewing Angle	Light Beam	Efficiency	cd/lm	Connector
XQ-E	16 deg	Real spot	86 %	6.900	-
XQ-E HI	11 deg	Real spot	81 %	12.700	-
LUXEON Rebel ES	24 deg	Real spot	88 %	3.220	-
LUXEON A	26 deg	Real spot	89 %	3.200	-
LUXEON Rebel	20 deg	Real spot	90 %	4.620	-
LUXEON Z	11 deg	Real spot	85 %	12.140	-
LUXEON Z ES	16 deg	Real spot	89 %	6.100	-
NVSxx19A	21 deg	Real spot	81 %	3.140	-
NCSxx19A	16 deg	Real spot	84 %	4.750	-
Oslon Square EC	22 deg	Real spot	86 %	3.830	-
Oslon SSL 150	16 deg	Real spot	87 %	8.100	-
Oslon SSL 80	16 deg	Real spot	83 %	6.450	-

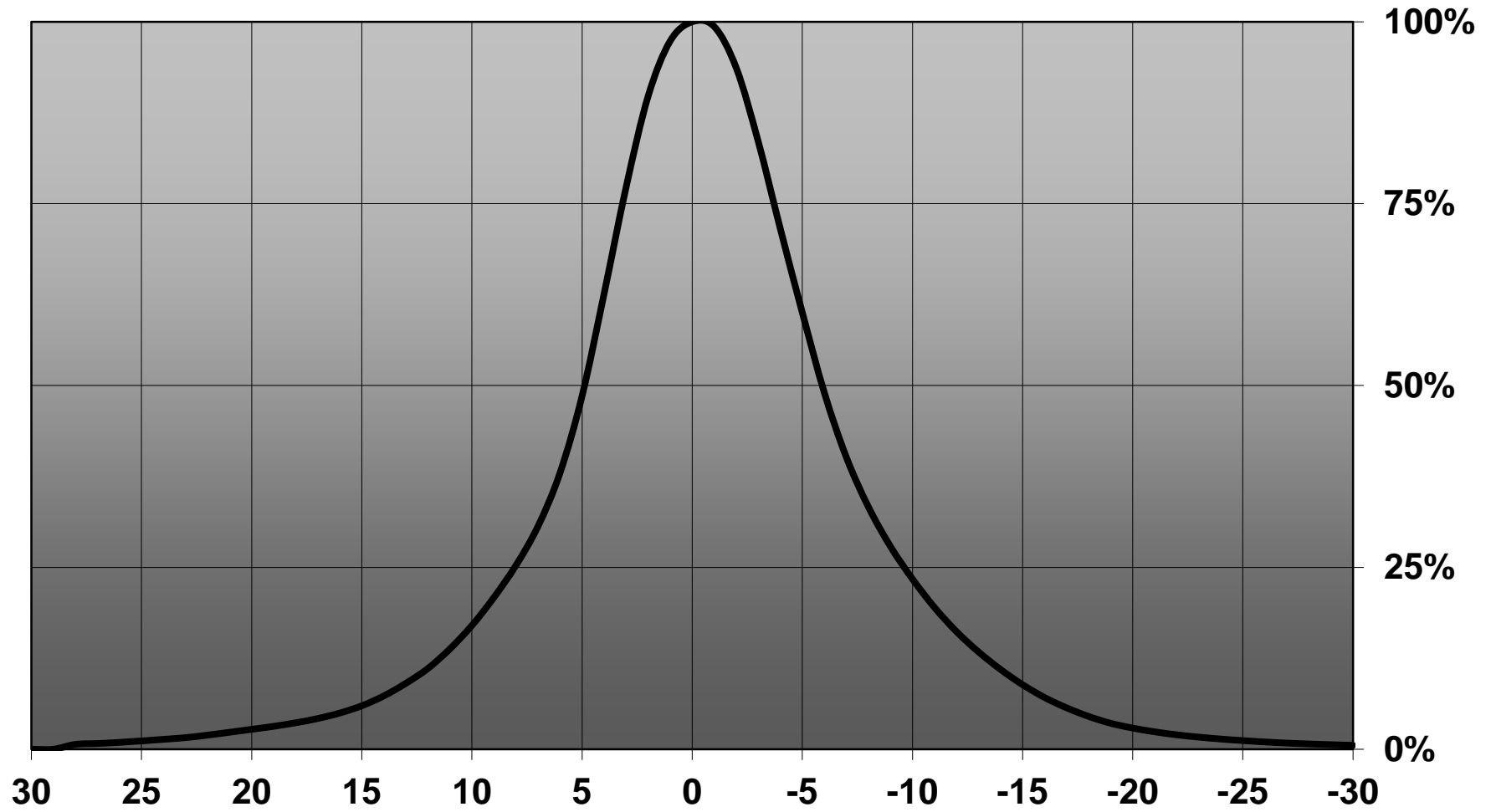
Relative intensity of CP12938\_LARISA-RS-CLIP8\_(XQ-E\_HI)



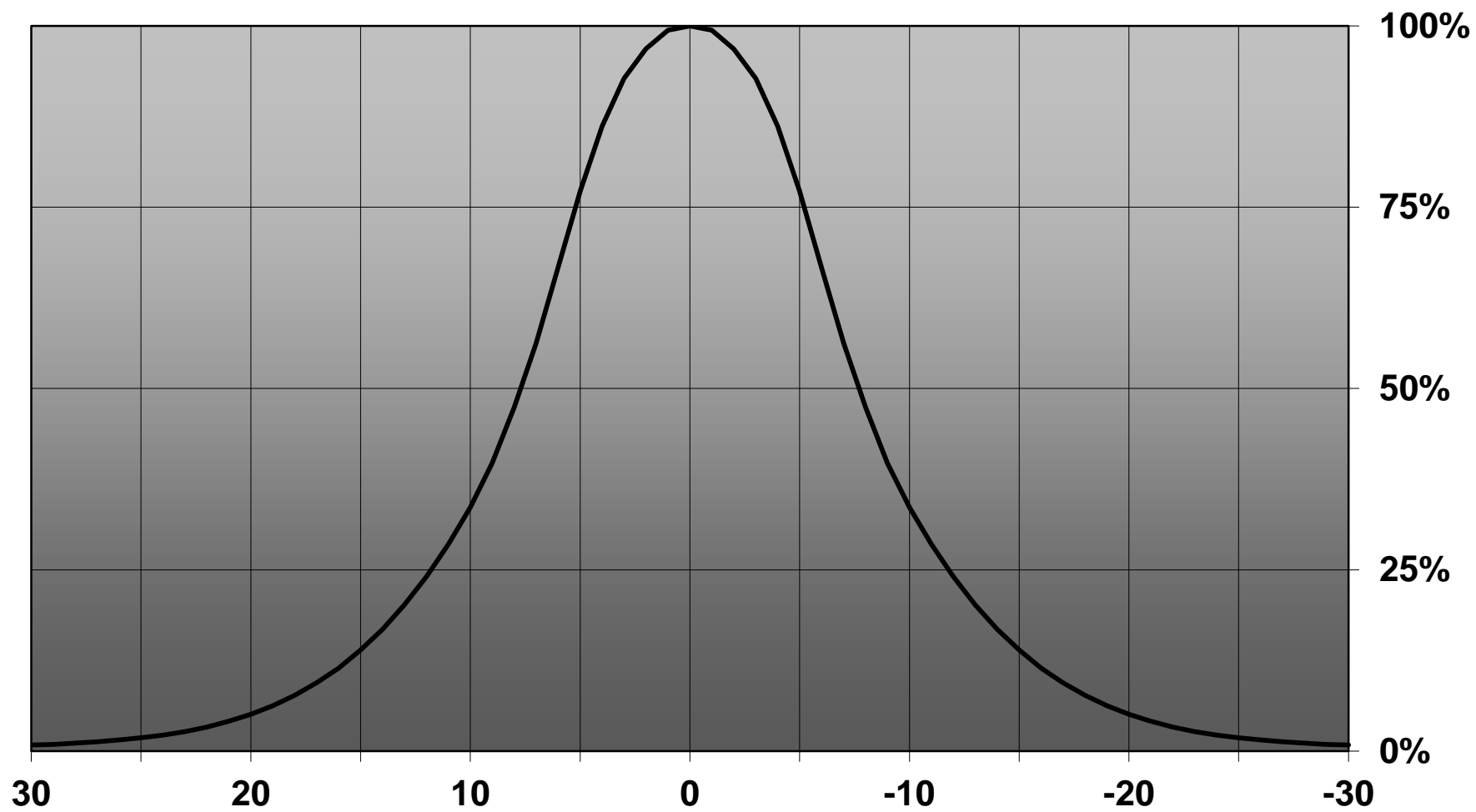
Relative intensity of LARISA-RS-CLIP8/16\_(Rebel)



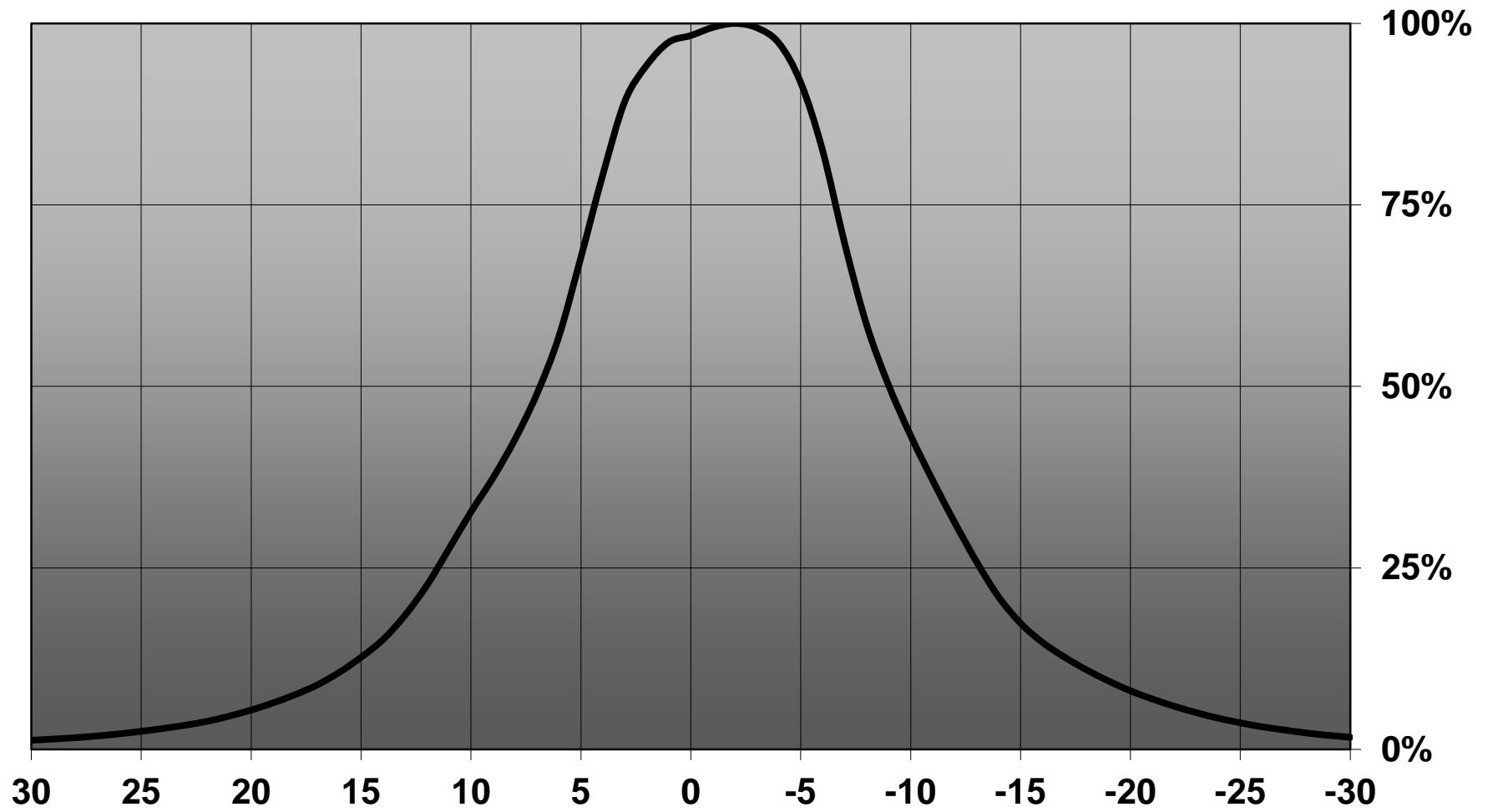
Relative intensity of CP12938\_LARISA-RS-CLIP8\_(Luxeon Z)



**Relative intensity of LARISA-RS CLIP8&CLIP16 (SSL150)**



Relative intensity of CP12938\_LARISA-RS-CLIP8\_(SSL80)



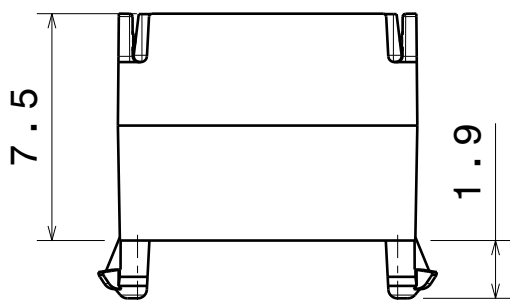
D

C

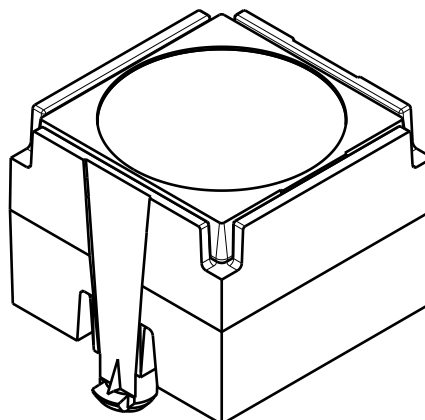
B

A

4

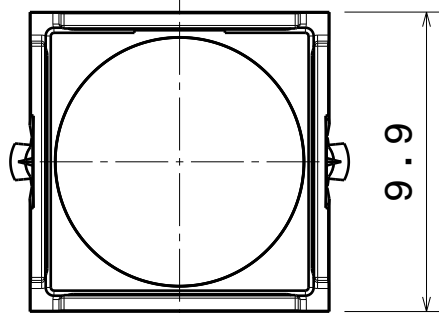


Front view

Isometric view  
Scale: 4:1

3

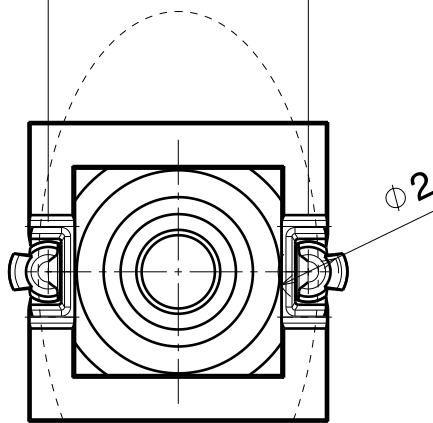
9.9



Top view

8.6

c / c



Bottom view

Oval beam direction

2

2

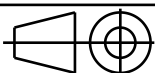
INDEX	PART NO	DESCRIPTION	MATERIAL	COLOUR
1	-	LARISA lens	PMMA	
2	C12907	LARISA-HOLDER-CLIP8	PC	black

Tolerances if not otherwise shown  
According to DIN ISO 2768-1  
Linear measures:  
Up to 30mm class M, otherwise class C.  
According to DIN ISO 2768-2  
Form and position: class L

LEDiL

Ledil Oy  
Salorankatu 10  
FIN 24240 SALO  
Finland

THIRD ANGLE PROJECTION:



DRAWING TITLE

LARISA-CLIP8

This drawing is the property  
of LEDiL Oy. It may not be  
reproduced, copied or  
communicated without a written  
agreement with LEDiL Oy.

SIZE PART NUMBER

A4

-

SCALE

4:1

WEIGHT

0,6 g

SHEET

1/1

1

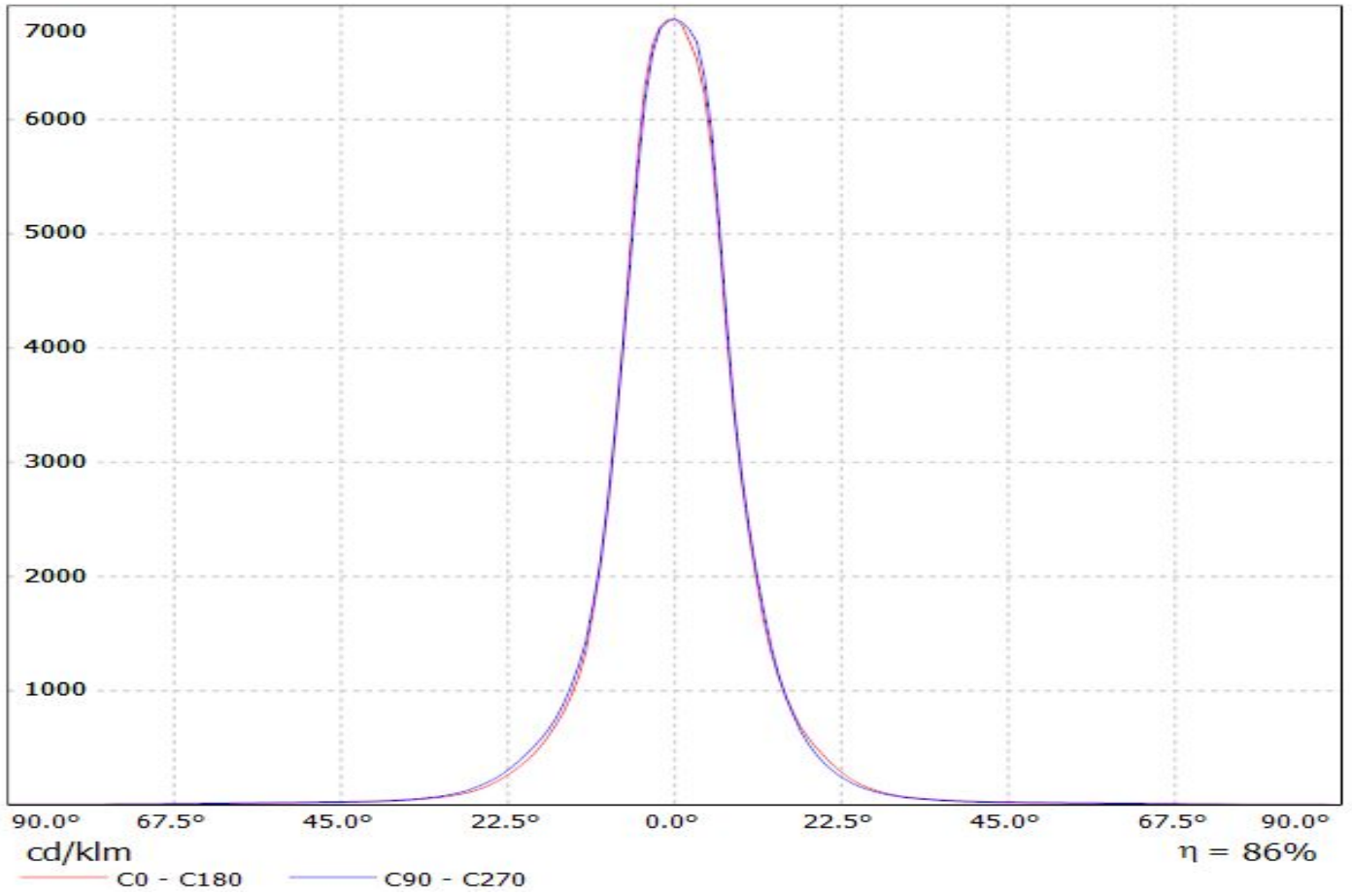
1

D

A

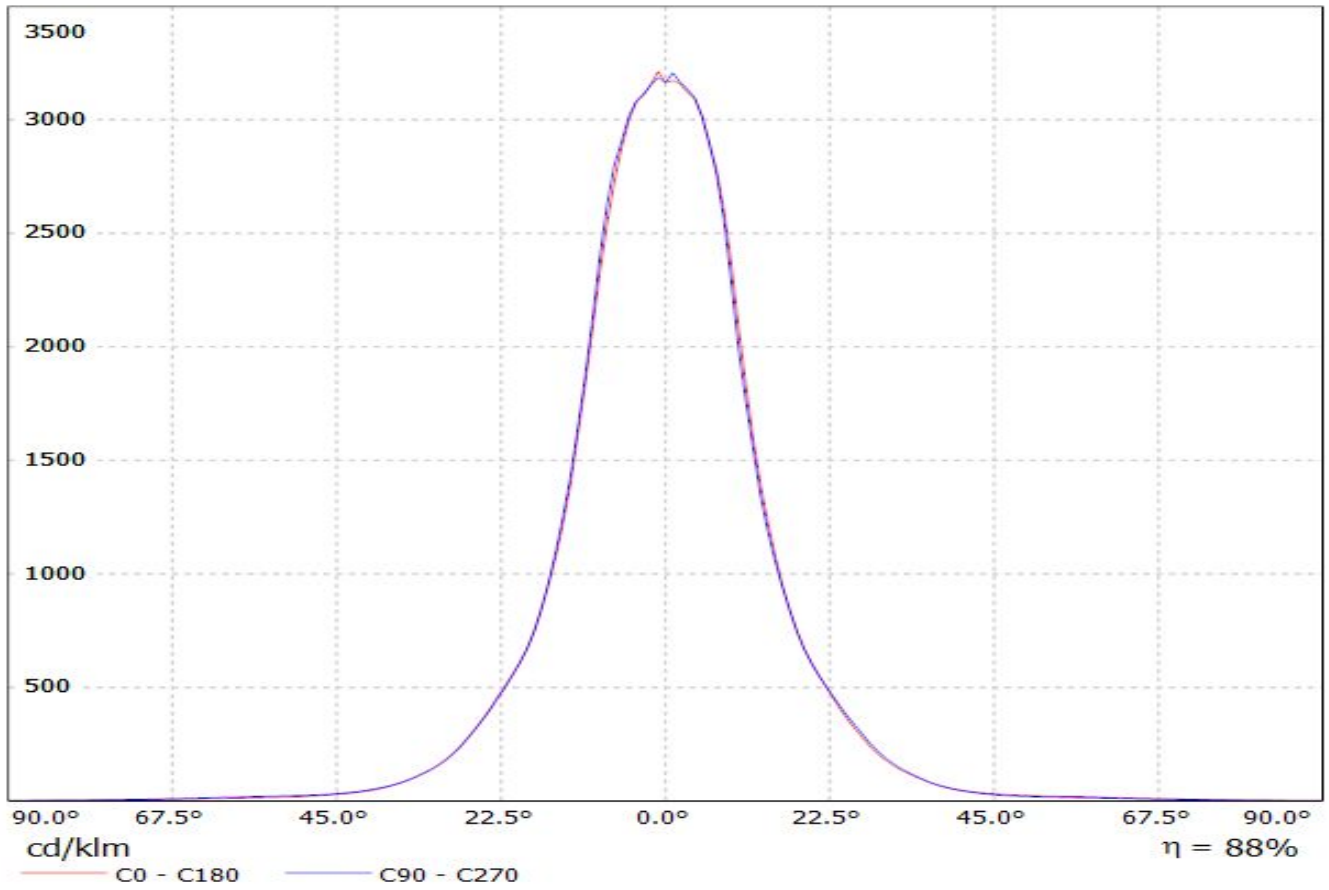
Luminaire: LEDiL Oy CP12938\_LARISA-RS-CLIP8\_(XQ-E)

Lamps: 1 x Cree\_XQ-E\_(XQEAWT-0-7B1-Q40-0H-00001\_81.2847lm@250mA\_P=0.764419W\_I=250mA

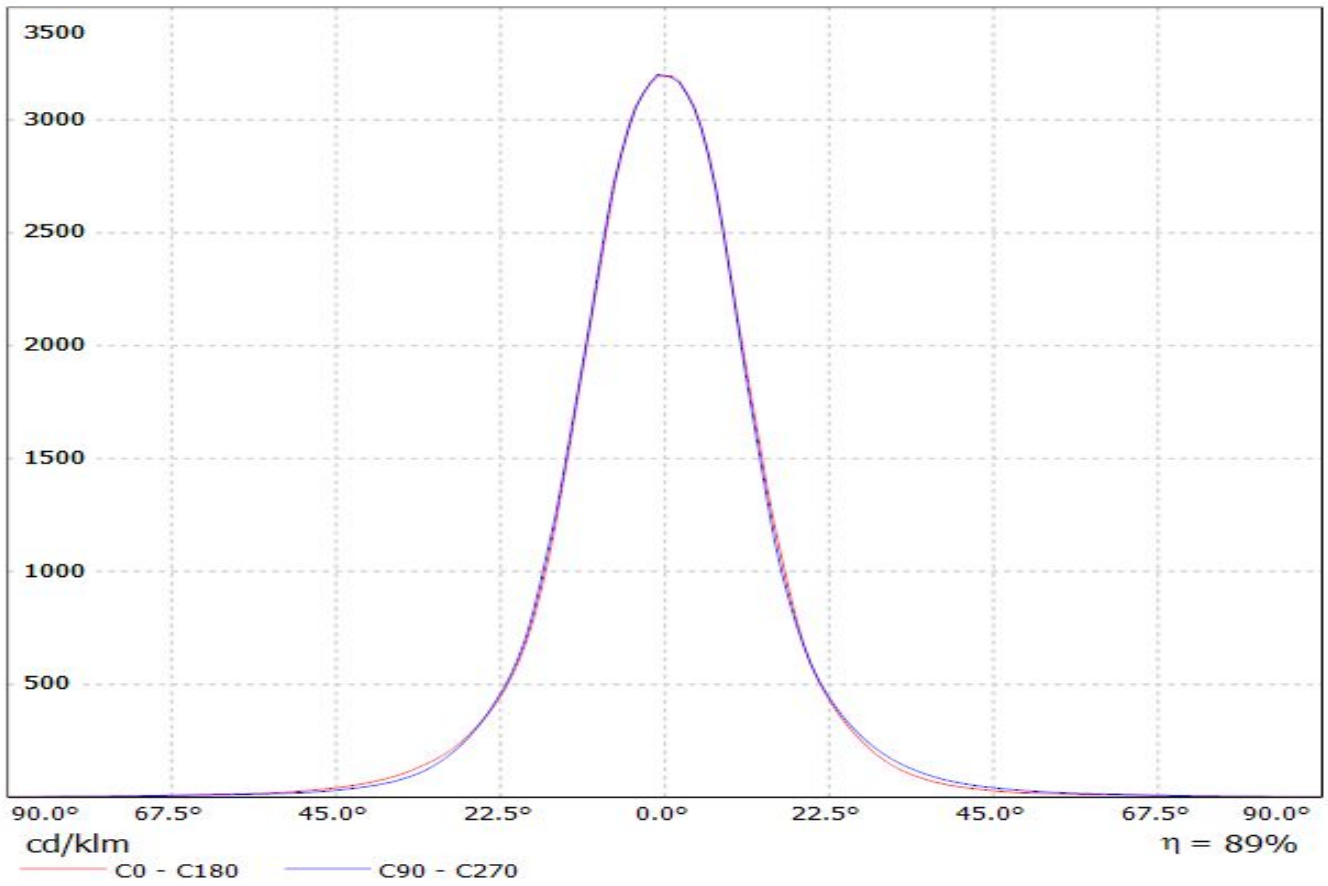




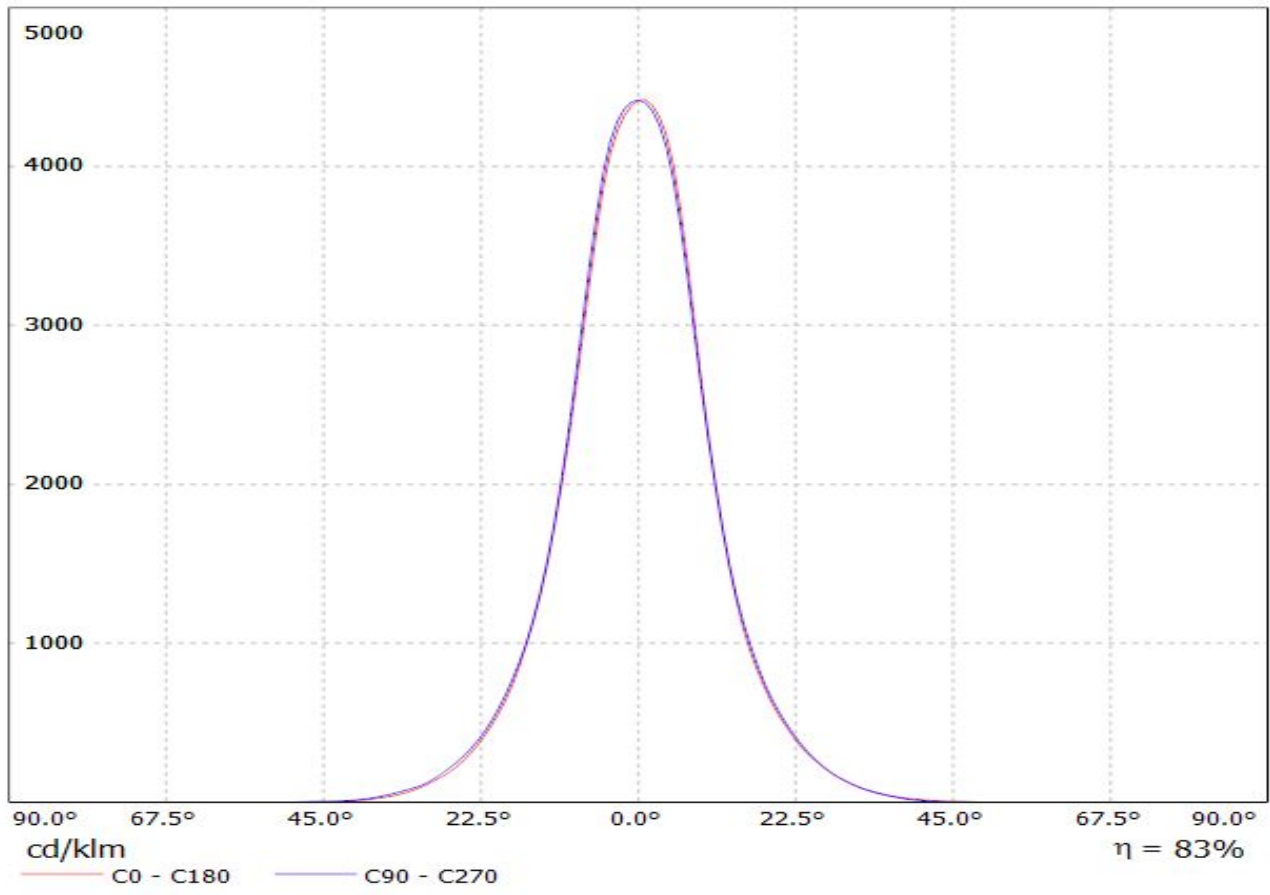
Luminaire: LEDiL Oy LARISA-RS\_Rebel-ES\_(CLIP8&CLIP16) Eff.88.3%  
Lamps: 1 x Rebel ES (89.842lm@250mA)



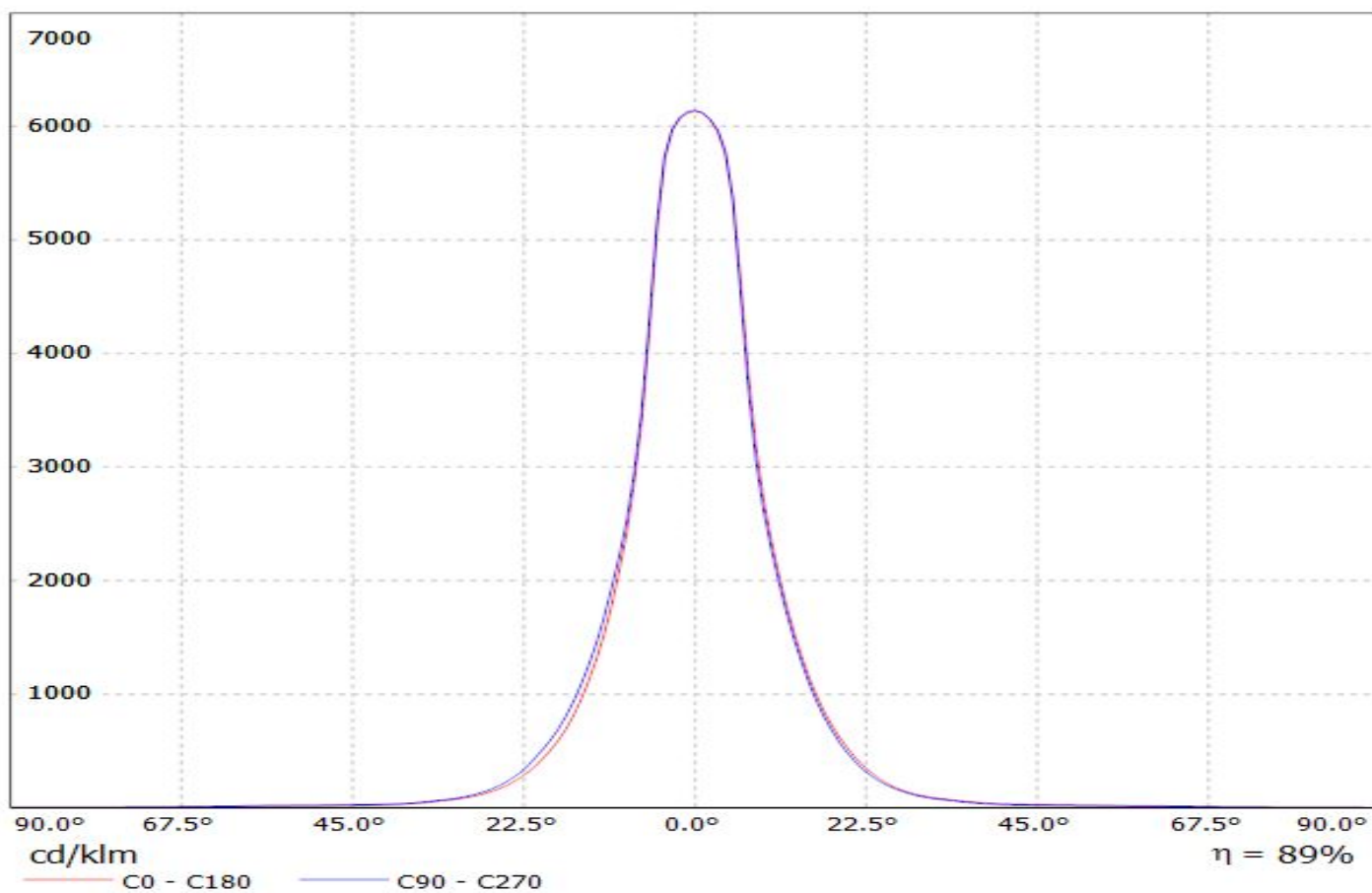
Luminaire: LEDiL Oy LARISA-RS\_Luxeon\_A\_(CLIP8&16) Eff.89.0%  
Lamps: 1 x Luxeon A (66.8723lm@250mA)



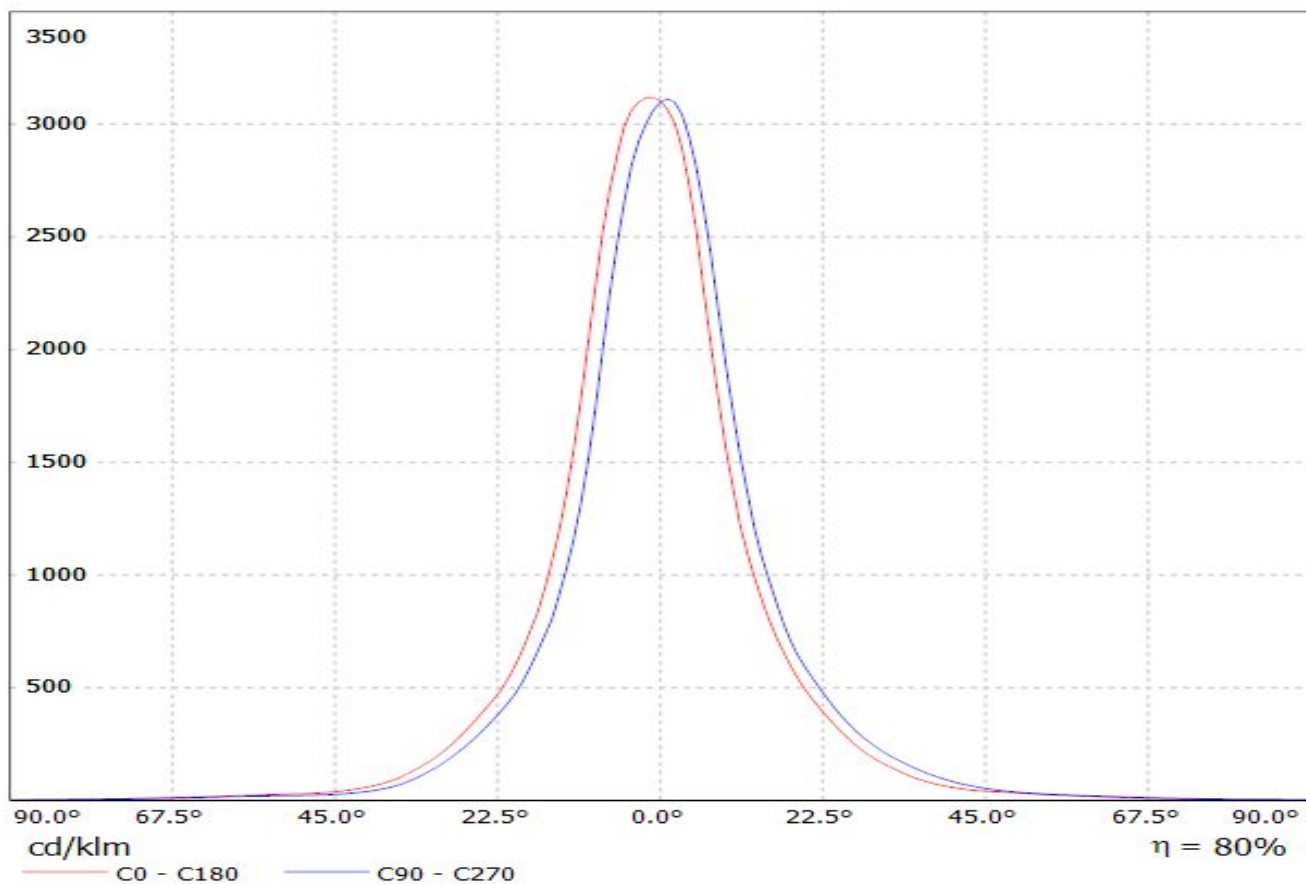
Luminaire: Ledil Oy CP12938\_LARISA-RS-CLIP8\_(Rebel)  
Lamps: 1 x Luxeon Rebel (LXM8-PW30) 60lm @ 250mA CCT= P=0.71W I=250mA



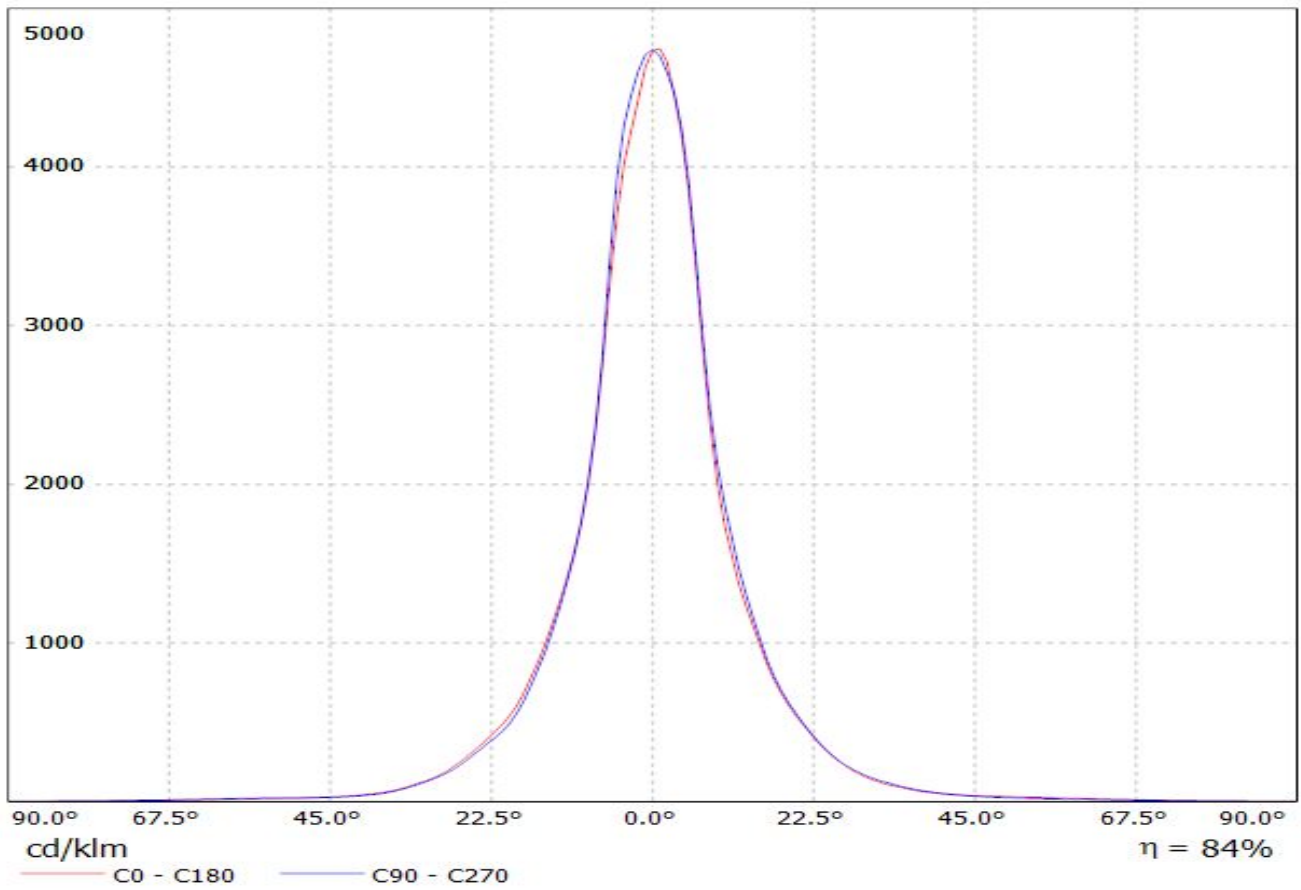
Luminaire: LEDiL Oy CP12938\_LARISA-RS-CLIP8\_(Luxeon\_Z\_ES)  
Lamps: 1 x Luxeon\_Z\_ES\_50.5496lm@250mA\_P=0.735456W\_I=250mA



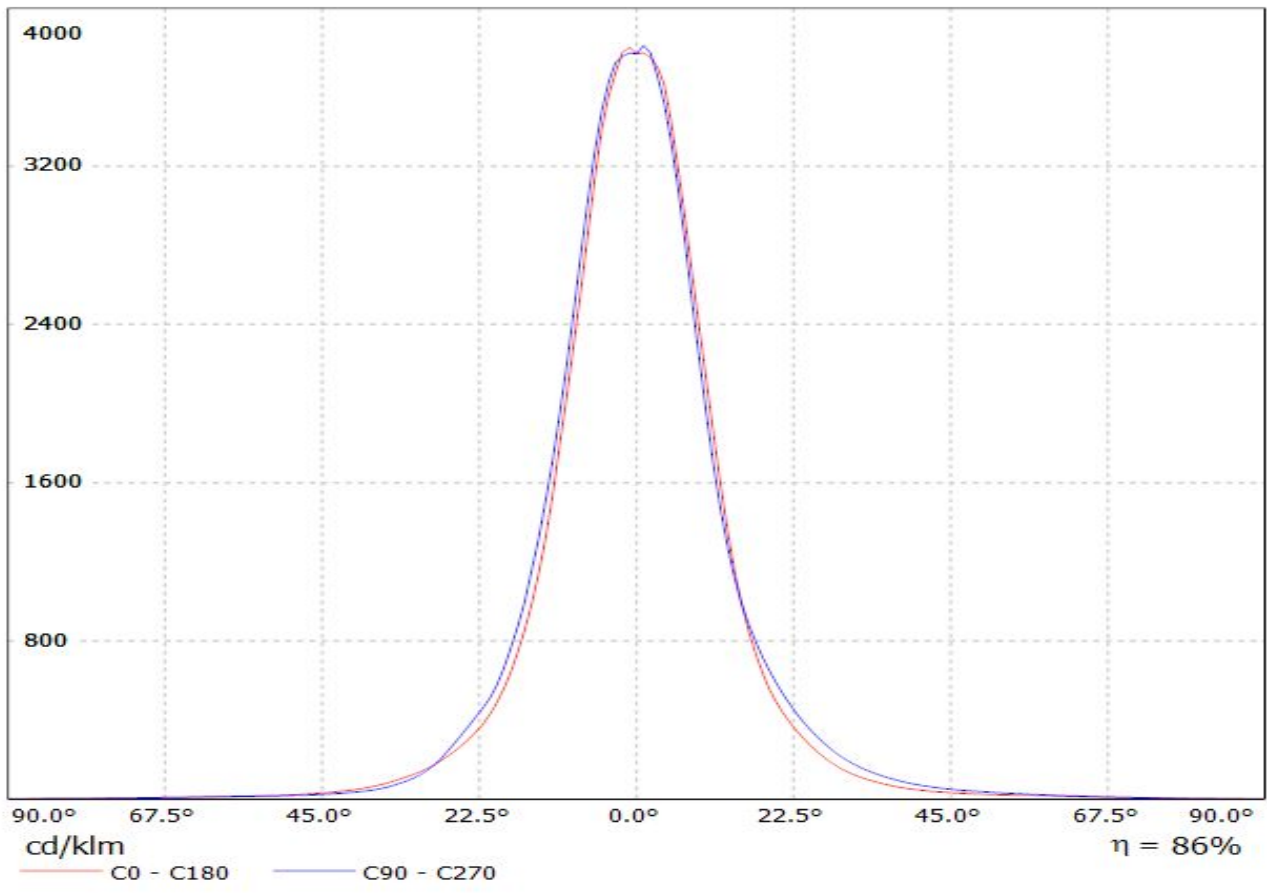
Luminaire: LEDiL Oy LARISA-RS\_NV519\_(CLIP8&CLIP16) Eff.80.4%  
Lamps: 1 x NV519 (97.9644lm@250mA)



Luminaire: LEDiL Oy LARISA-RS\_NCS19\_(CLIP8&CLIP16) Eff.84. %  
Lamps: 1 x NCS19 (88.2595lm@250mA)

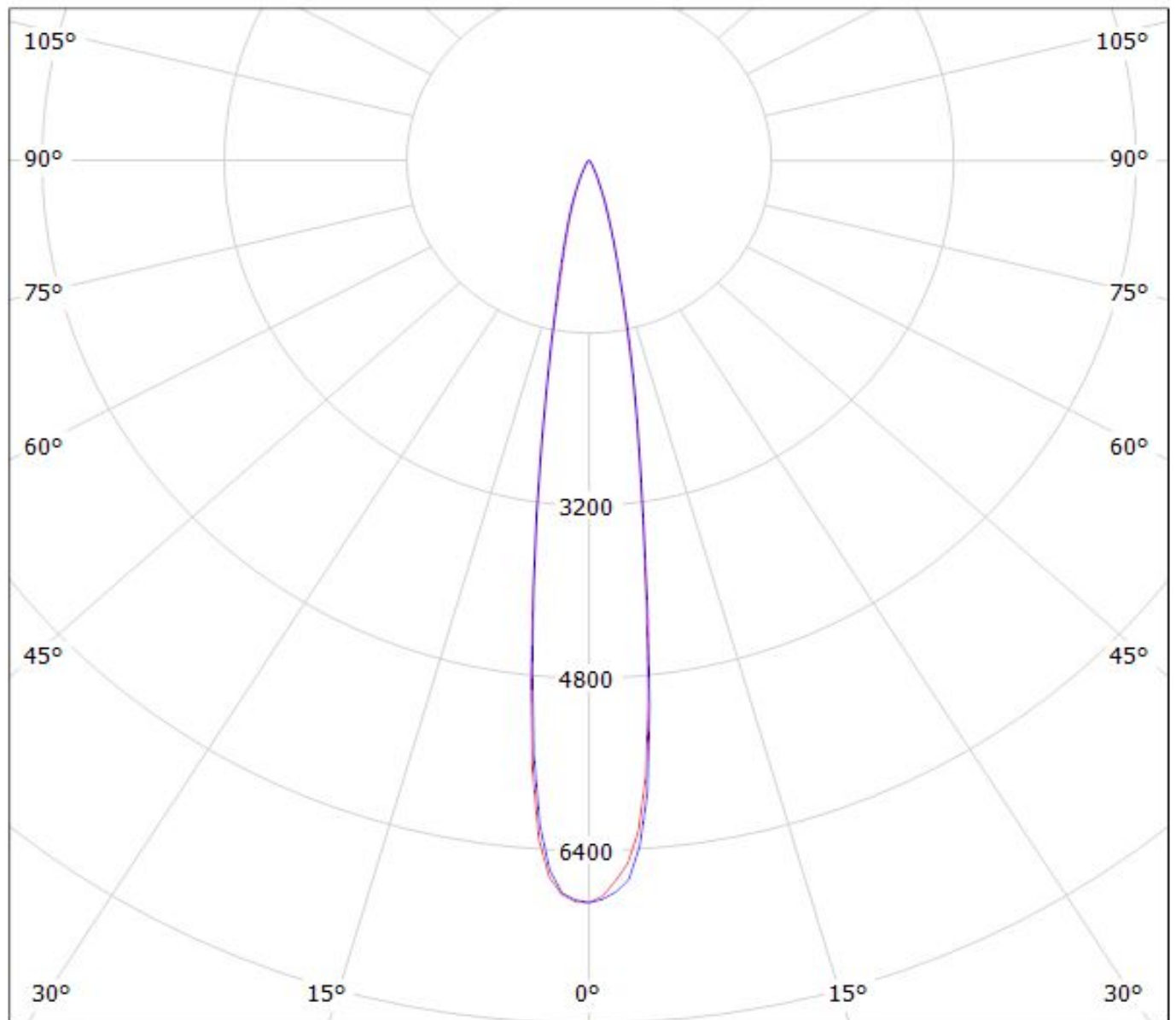


Luminaire: LEDiL Oy LARISA-RS\_SQ-EC\_(CLIP8&CLIP16) Eff.85.9%  
Lamps: 1 x SQ-EC (64.5379lm@250mA)



Luminaire: LEDiL Oy CP12938\_LARISA-RS-CLIP8\_(XQ-E)

Lamps: 1 x Cree\_XQ-E\_(XQEAWT-0-7B1-Q40-0H-00001\_81.2847lm@250mA\_P=0.764419W\_I=250mA



cd/klm

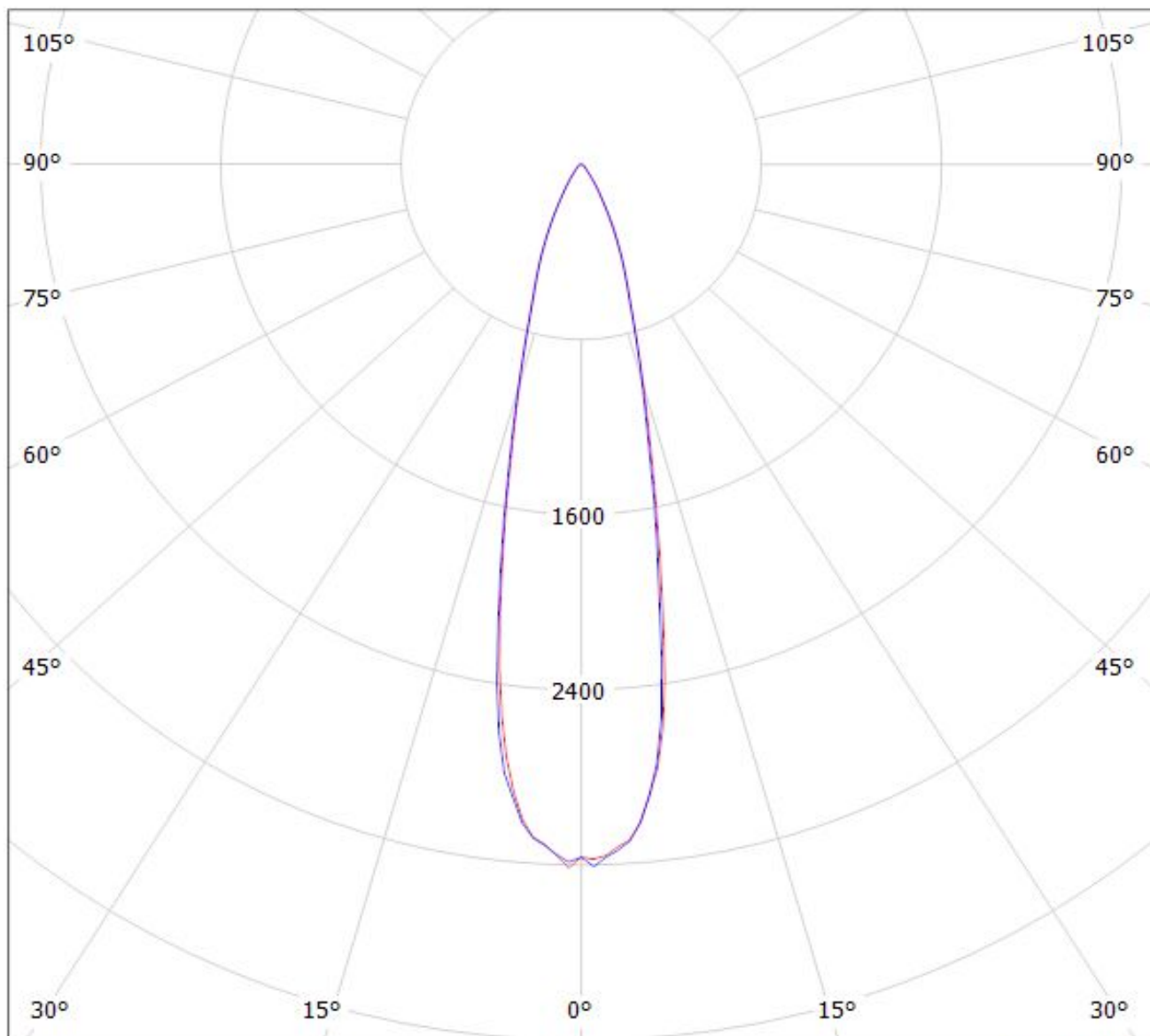
η = 86%

— C0 - C180

— C90 - C270



Luminaire: LEDiL Oy LARISA-RS\_Rebel-ES\_(CLIP8&CLIP16) Eff.88.3%  
Lamps: 1 x Rebel ES (89.842lm@250mA)



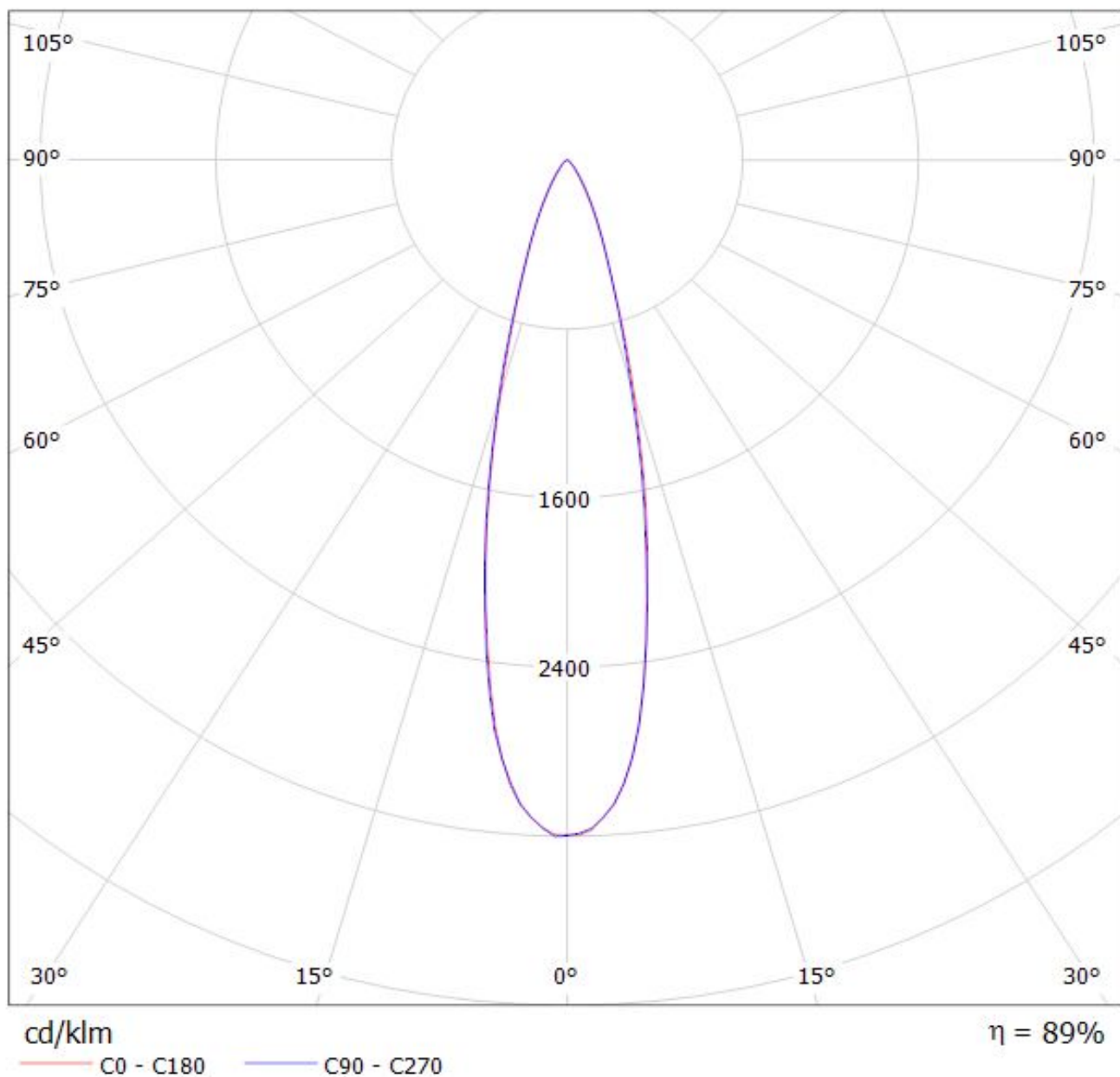
cd/klm

— C0 - C180

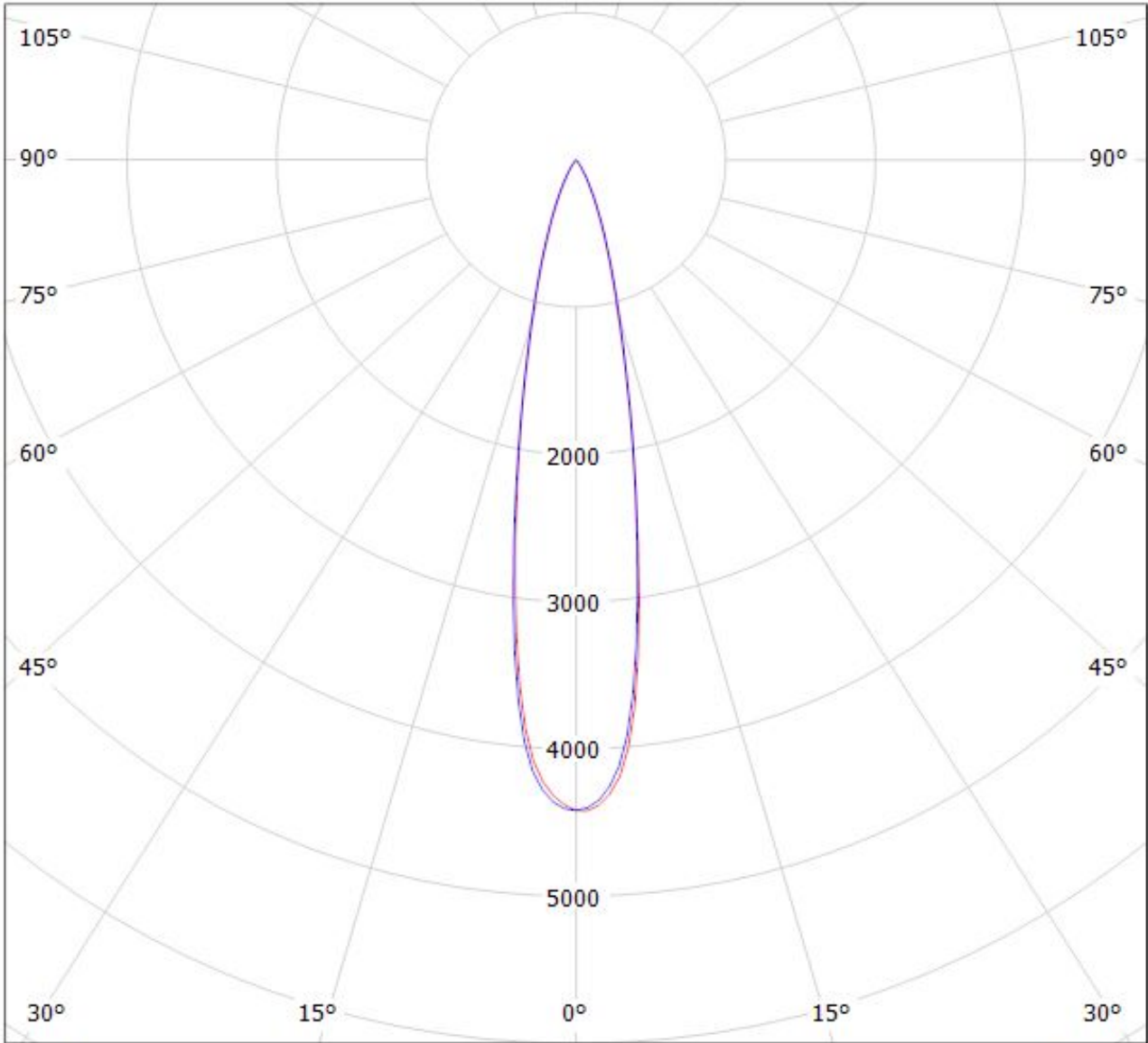
— C90 - C270

$\eta = 88\%$

Luminaire: LEDiL Oy LARISA-RS\_Luxeon\_A\_(CLIP8&16) Eff.89.0%  
Lamps: 1 x Luxeon A (66.8723lm@250mA)



Luminaire: Ledil Oy CP12938\_LARISA-RS-CLIP8\_(Rebel)  
Lamps: 1 x Luxeon Rebel (LXM8-PW30) 60lm @ 250mA CCT= P=0.71W I=250mA

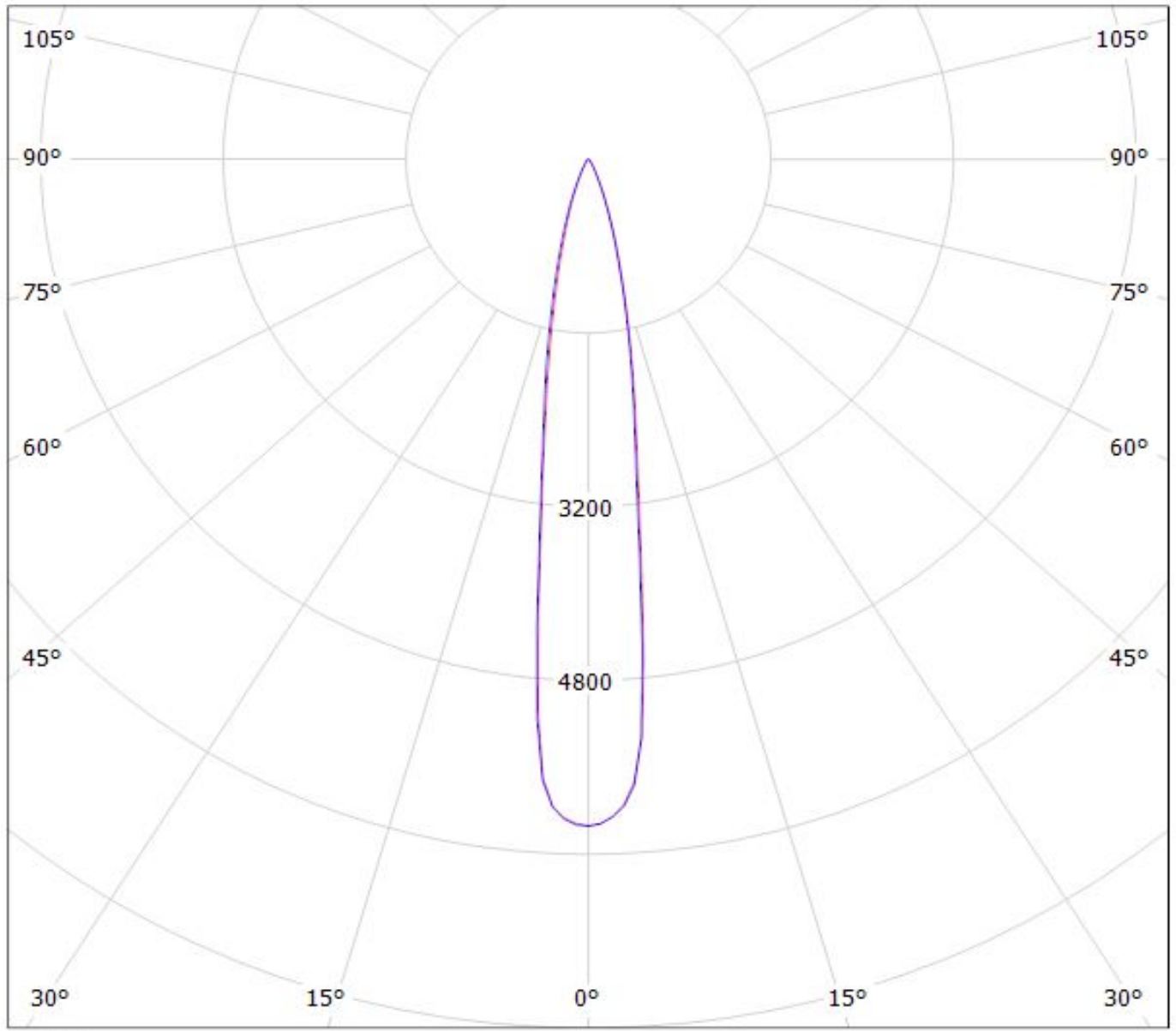


cd/klm

— C0 - C180    — C90 - C270

$\eta = 83\%$

Luminaire: LEDiL Oy CP12938\_LARISA-RS-CLIP8\_(Luxeon\_Z\_ES)  
Lamps: 1 x Luxeon\_Z\_ES\_50.5496lm@250mA\_P=0.735456W\_I=250mA

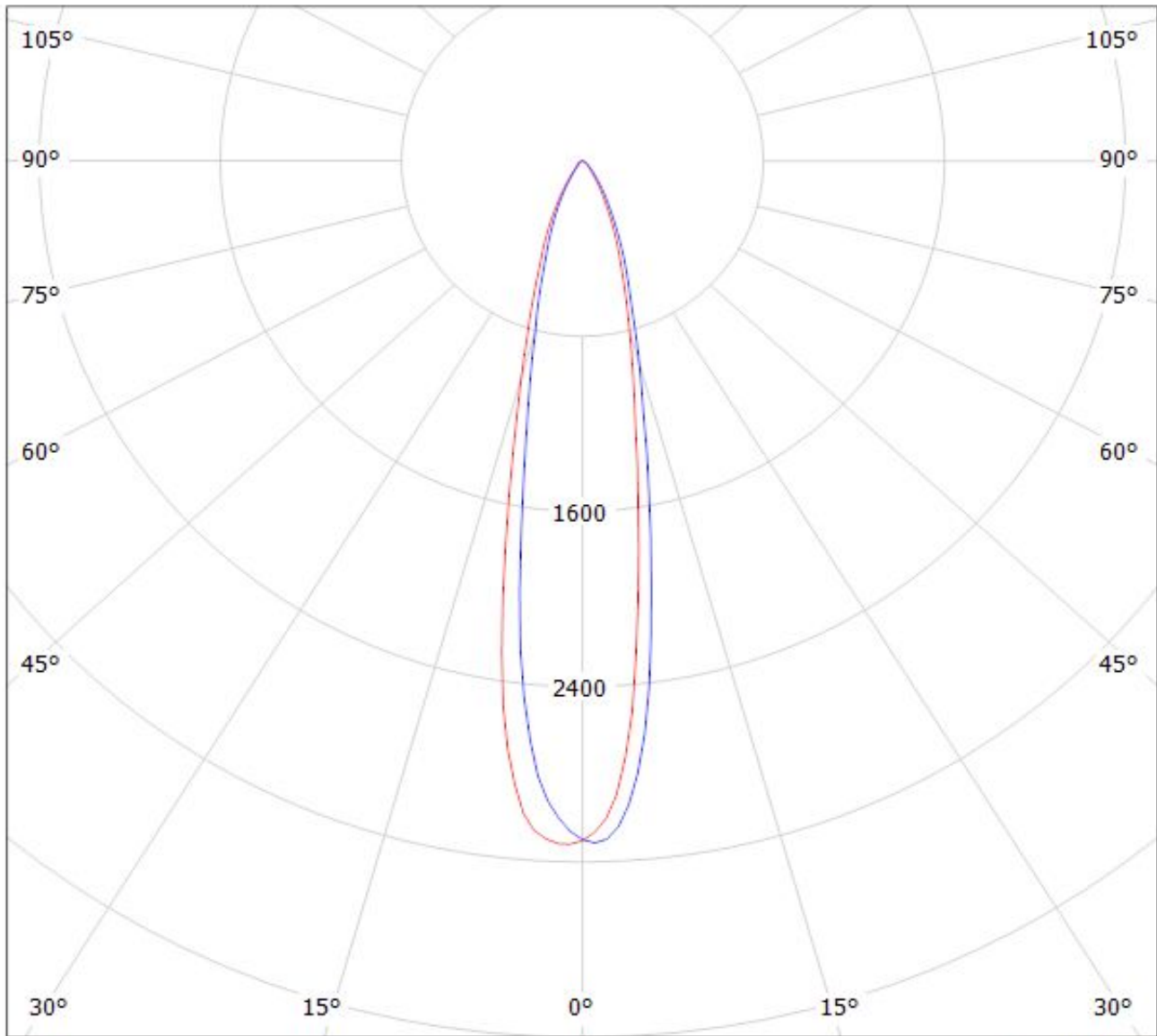


cd/klm

— C0 - C180    — C90 - C270

$\eta = 89\%$

Luminaire: LEDiL Oy LARISA-RS\_NV519\_(CLIP8&CLIP16) Eff.80.4%  
Lamps: 1 x NV519 (97.9644lm@250mA)

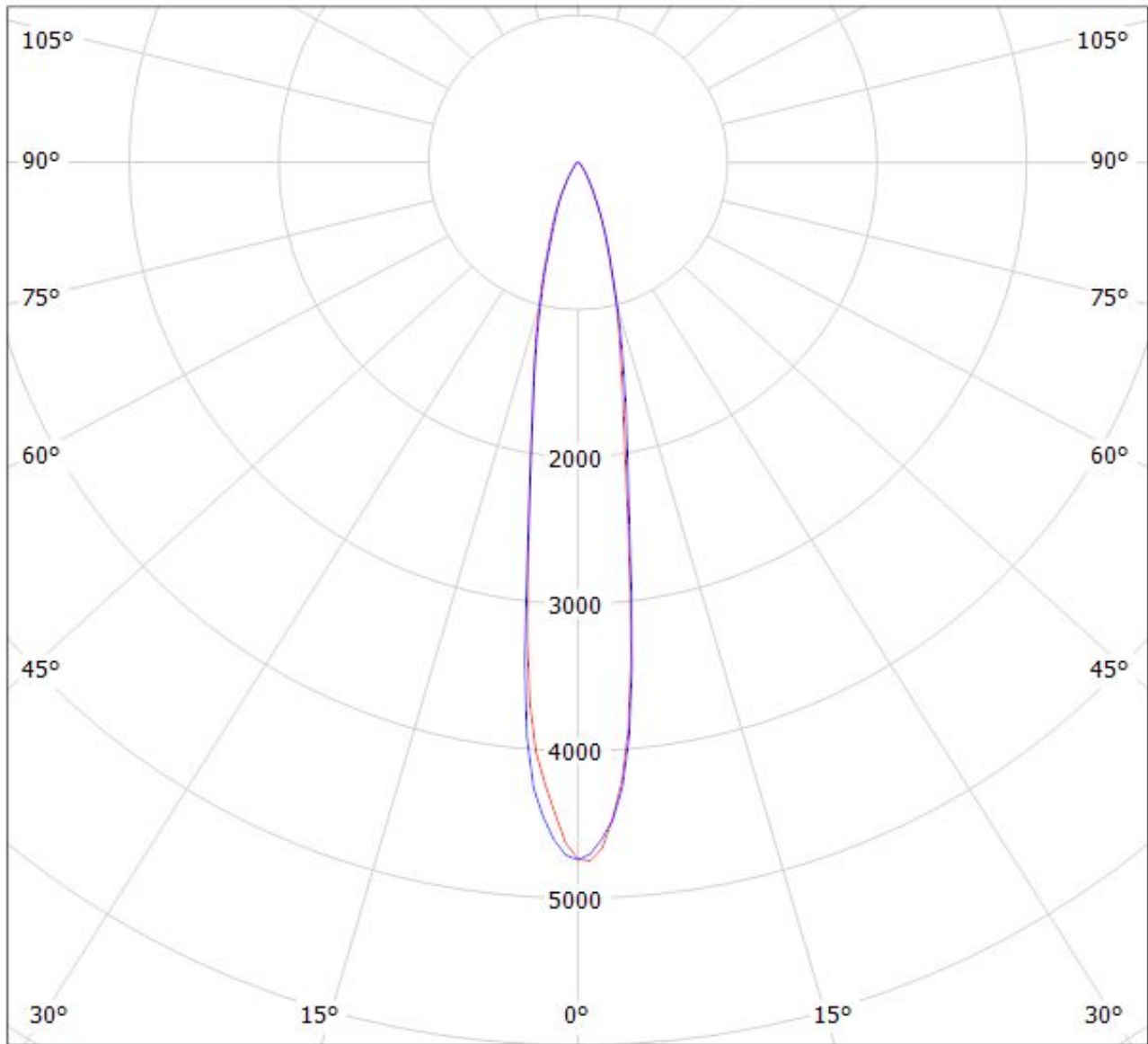


cd/klm

— C0 - C180    — C90 - C270

$\eta = 80\%$

Luminaire: LEDiL Oy LARISA-RS\_NCS19\_(CLIP8&CLIP16) Eff.84. %  
Lamps: 1 x NCS19 (88.2595lm@250mA)



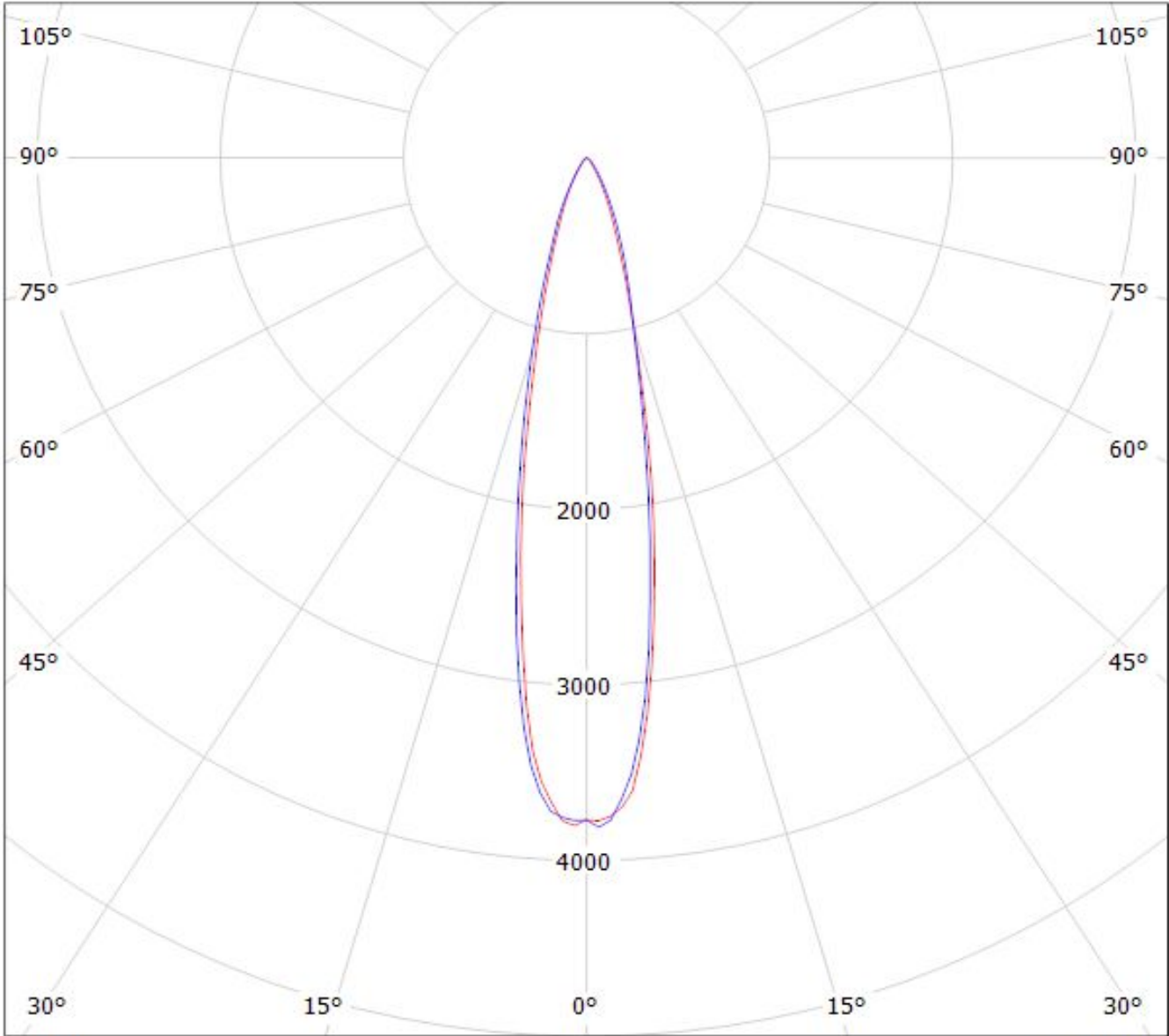
cd/klm

— C0 - C180

— C90 - C270

$\eta = 84\%$

Luminaire: LEDiL Oy LARISA-RS\_SQ-EC\_(CLIP8&CLIP16) Eff.85.9%  
Lamps: 1 x SQ-EC (64.5379lm@250mA)



cd/klm

— C0 - C180

— C90 - C270

$\eta = 86\%$

**NOTE: The typical divergence will be changed by different color, chip size and chip position tolerance. The typical total divergence is the full angle measured where the luminous intensity is half of the peak value.**