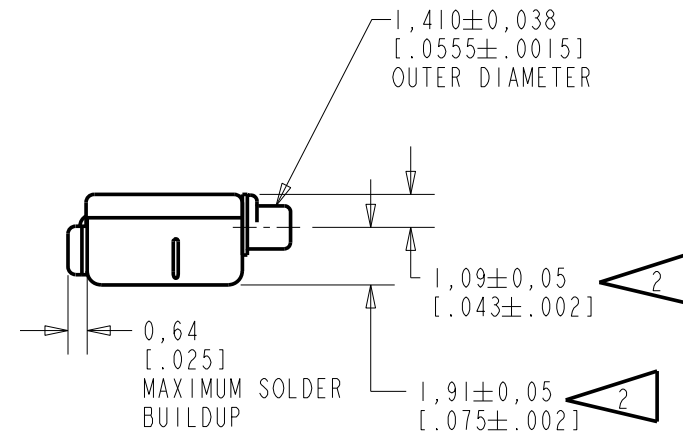
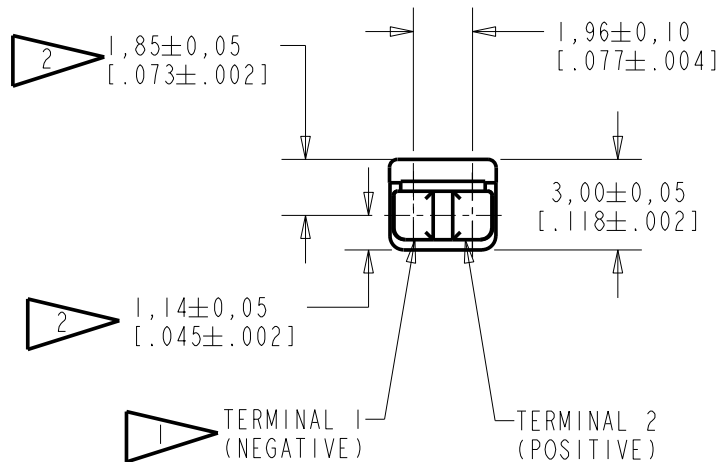
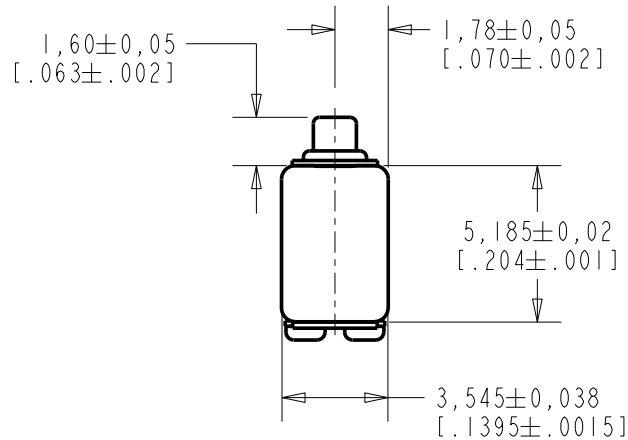


EH-23149-000

SHT 1.1

NOTES:

- 1 A POSITIVE GOING VOLTAGE AT TERMINAL 2, RELATIVE TO TERMINAL 1, CAUSES A DECREASE IN PRESSURE AT THE SOUND OUTLET.
- 2 LOCATED FROM TWO SURFACES FOR CUSTOMER CONVENIENCE. ONLY APPLICABLE FROM ONE SURFACE, NOT TO BE USED TOGETHER. HORIZONTAL LOCATION FOR TERMINAL CENTERED TO $\pm 0,17$ [.007].

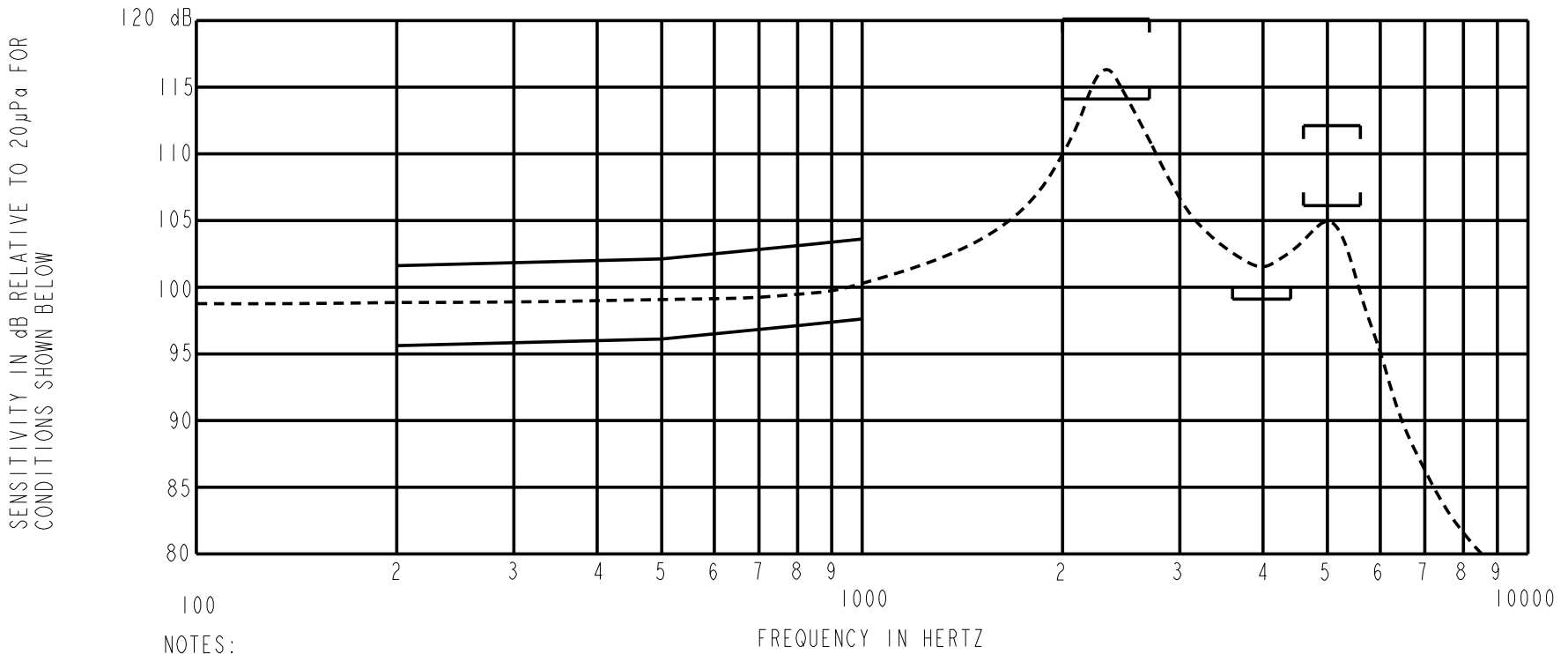


NOMINAL WEIGHT
.23 GRAMS DIMENSIONS IN MILLIMETERS [INCHES]

| Revision | C.O. # | Implementation Date | RELEASE LEVEL | REVISION |
|----------|-----------|---------------------|---------------|----------|
| C | C10109704 | 5-21-09 | Active | C |
| B | C10108596 | 12-24-08 | | |
| A | C10103366 | 11-10-05 | | |

| | | | |
|----------------------|-----------------|---------|----------|
| SCALE: | 4:1 | DR. BY | DATE |
| DO NOT SCALE DRAWING | | AB | 11-10-05 |
| TITLE: | RECEIVER | GJP | 11-21-05 |
| | EH-23149-000 | APP. BY | DATE |
| | OUTLINE DRAWING | GJP | 11-21-05 |
| | SHT 1.1 | | |

KNOWLES ELECTRONICS
ITASCA, ILLINOIS U.S.A.



NOTES:

1. MEASUREMENTS MADE USING 10mm (.394") OF 1mm (.039") ID TUBE CONNECTED TO A SIMULATED ANSI S3.3-1960 TYPE HA-3 COUPLER. (T3479 AND B & K DB0138)

| FREQUENCY | SENSITIVITY | |
|-----------|-------------|-------|
| | MIN. | MAX. |
| 200 | 95.5 | 101.5 |
| 500 | 96.0 | 102.0 |
| 800 | 96.5 | 102.5 |
| 1000 | 97.0 | 103.0 |
| 2250-2950 | 113.5 | 119.5 |
| 3600-4400 | 101.0 | --- |
| 4500-5500 | 106.0 | 112.0 |

- RESPONSE, IMPEDANCE, AND DISTORTION MEASUREMENTS MADE USING THE ELECTRICAL TEST CONDITIONS SHOWN BELOW.
- ELECTRICAL SOURCE IMPEDANCE MUST BE GREATER THAN 20 TIMES 1KHz IMPEDANCE FOR TEST CONDITIONS SHOWN BELOW.
- INDIVIDUAL SPECIFICATIONS.

| PORT LOCATION | IMPEDANCE OHMS ±15% | | DCR @20°C OHMS ±10% | DISTORTION | | ELECTRICAL TEST CONDITIONS | |
|---------------|---------------------|-------|---------------------|------------|---------|----------------------------|-------|
| | 1KHz | 500Hz | | MAX. % | FREQ Hz | AC mA RMS | DC mA |
| 12C | 165 | 101 | 68 | 10 | 800 | 1.63 | 0.00 |

| Revision | C.O. # | Implementation Date | RELEASE LEVEL | REVISION |
|----------|-----------|---------------------|---------------|----------|
| C | C10109704 | 5-21-09 | Active | C |
| B | C10108596 | 12-24-08 | | |
| A | C10103366 | 11-10-05 | | |

KNOWLES ELECTRONICS
ITASCA, ILLINOIS U.S.A.

WHEN TEST LIMITS ARE USED TO ESTABLISH INCOMING INSPECTION ACCEPTANCE/REJECTION CRITERIA, CORRELATION OF TEST EQUIPMENT WITH KNOWLES IS ALSO REQUIRED FOR ELIMINATION OF EQUIPMENT AND TEST METHOD VARIATION

TITLE: **RECEIVER** **EH-23149-000**
PERFORMANCE SPECIFICATION **SHT 2.1**

| DR. BY | DATE |
|---------|----------|
| AB | 11-10-05 |
| CK. BY | DATE |
| GJP | 11-21-05 |
| APP. BY | DATE |
| GJP | 11-21-05 |