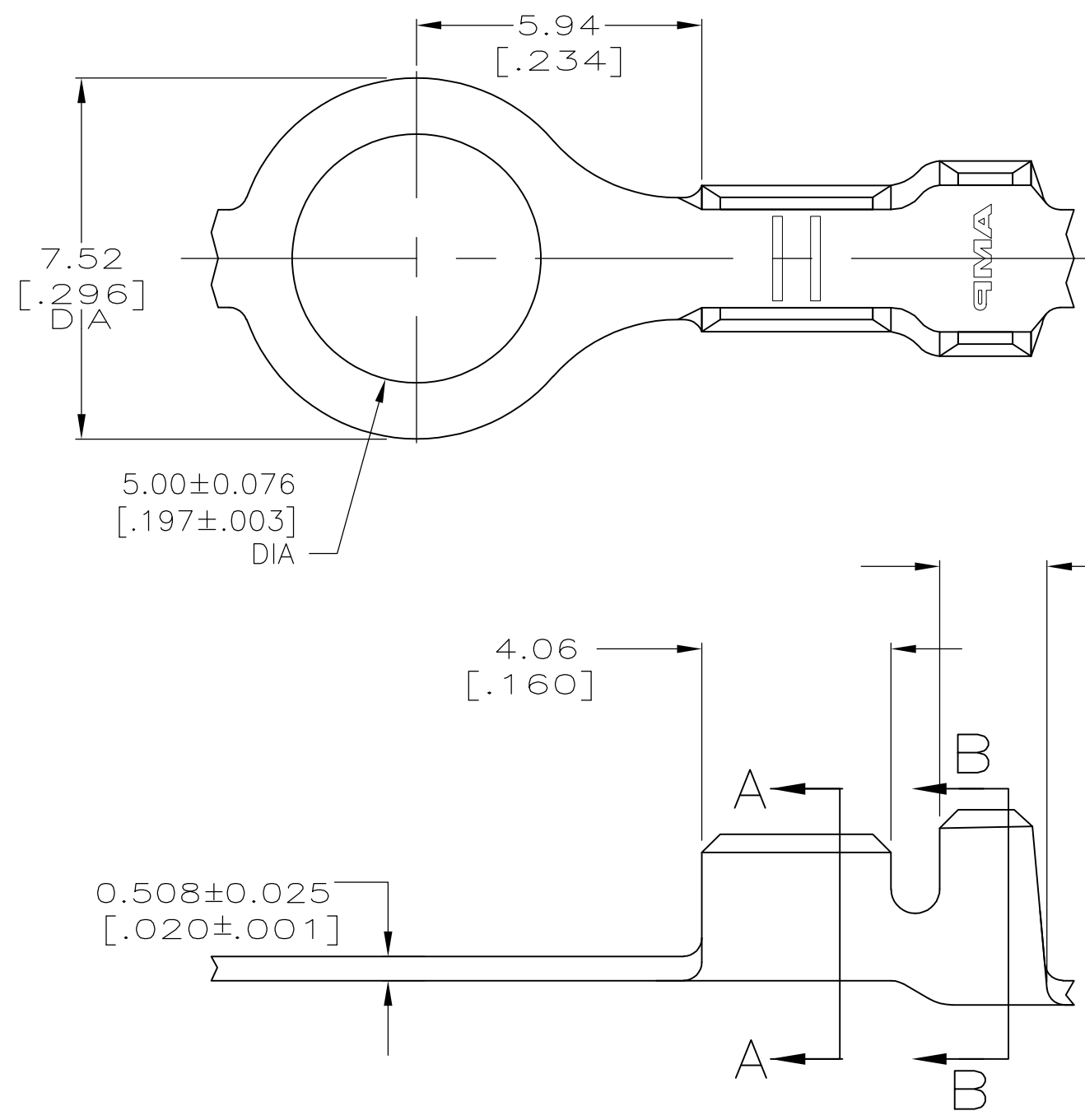
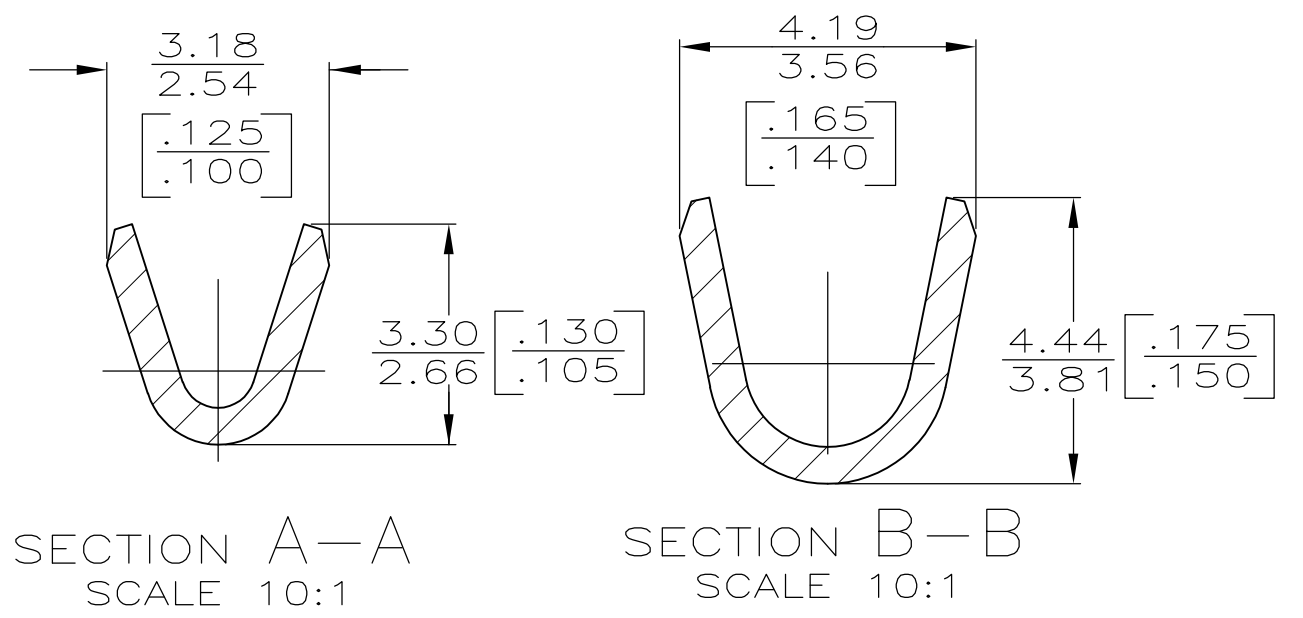


THIS DRAWING IS UNPUBLISHED. RELEASED FOR PUBLICATION
 © COPYRIGHT BY TYCO ELECTRONICS CORPORATION. ALL INTERNATIONAL RIGHTS RESERVED.

LOC	DIST	REVISIONS			
P	LTR	DESCRIPTION	DATE	DWN	APVD
AF	50	A1	REVISED PER ECR-09-018915	26AUG09	HMR DD



- CONTINUOUS STRIP ON REEL.
- WIRE SIZE IS [#22-#18] AWG.
- INSULATION RANGE IS 2.03-2.79 [.080-.110] DIA.



0.002032 [.000080] MIN TIN	1742780-1
FINISH	PART NO

THIS DRAWING IS A CONTROLLED DOCUMENT.		DWN	JR RUTH	03FEB09	Tyco Electronics Corporation Harrisburg, PA 17105-3608													
DIMENSIONS: mm [INCHES]		CHK	MS FEHER	03FEB09	NAME													
TOLERANCES UNLESS OTHERWISE SPECIFIED:		APVD	D DECKER	03FEB09	RING													
<table border="0"> <tr><td>0 PLC</td><td>± -</td></tr> <tr><td>1 PLC</td><td>± -</td></tr> <tr><td>2 PLC</td><td>± 0.25 [.010]</td></tr> <tr><td>3 PLC</td><td>± -</td></tr> <tr><td>4 PLC</td><td>± -</td></tr> <tr><td>ANGLES</td><td>± -</td></tr> </table>		0 PLC	± -	1 PLC	± -	2 PLC	± 0.25 [.010]	3 PLC	± -	4 PLC	± -	ANGLES	± -	PRODUCT SPEC	-			
0 PLC	± -																	
1 PLC	± -																	
2 PLC	± 0.25 [.010]																	
3 PLC	± -																	
4 PLC	± -																	
ANGLES	± -																	
MATERIAL		APPLICATION SPEC	-															
082 BRASS		FINISH	SEE TABLE															
		WEIGHT	-															
		CUSTOMER DRAWING	SCALE	8:1	SHEET	1 OF 1												
		SIZE	A3	CAGE CODE	00779	DRAWING NO	C-1742780											
		RESTRICTED TO	-															
		REV	A1															