

DETAILS

Product Number	CA13477_STRADA-FT
Family	Strada
Type	Assembly
Color	clear
Diameter	15,4 x 19,6 mm
Height	8,3 mm
Style	rectang
Optic Material	PMMA
Holder Material	
Fastening	tape, pin, screw
Status	production ready
ROHS Compliant	Yes
Date Updated	16/12/2016

OPTICAL PROPERTIES

LED	Viewing Angle	Light Beam	Efficiency	cd/lm	Connector
XP-G2	Asymmetric deg	Asymmetric	87 %	0.530	-
XT-E	Asymmetric deg	Asymmetric	87 %	0.490	-
Oslon Square PC	sim: Asymmetric	Asymmetric	sim: 93 %	-	-
Fortimo FastFlex LED board 2x8/757 DS	Asymmetric deg	Asymmetric	86 %	0.530	-
LH351Z	asymmetric deg	Asymmetric	87 %	0.530	-



D

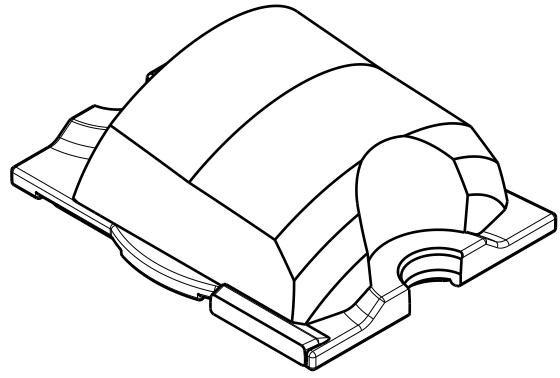
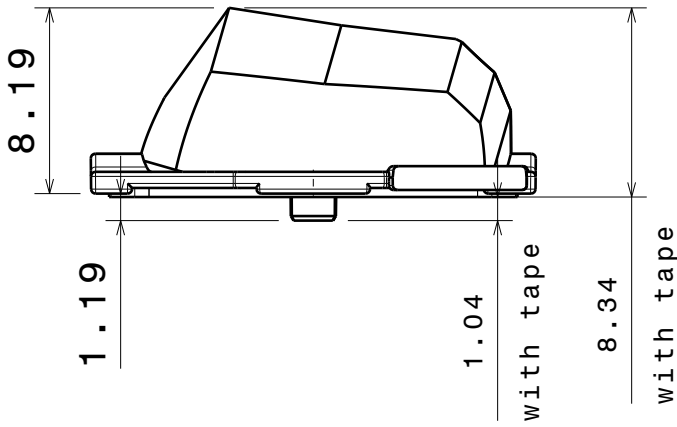
C

B

A

4

4

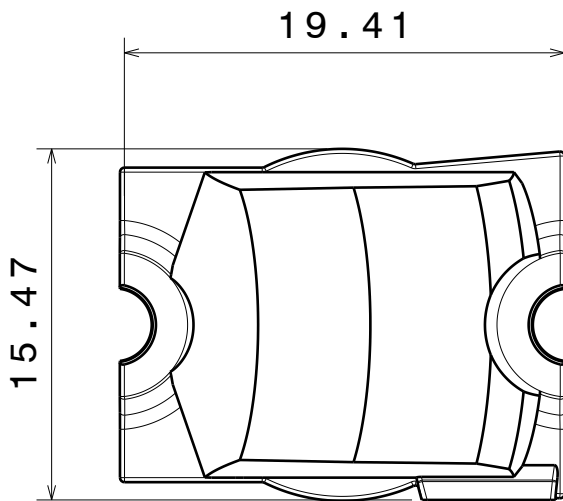


Isometric view

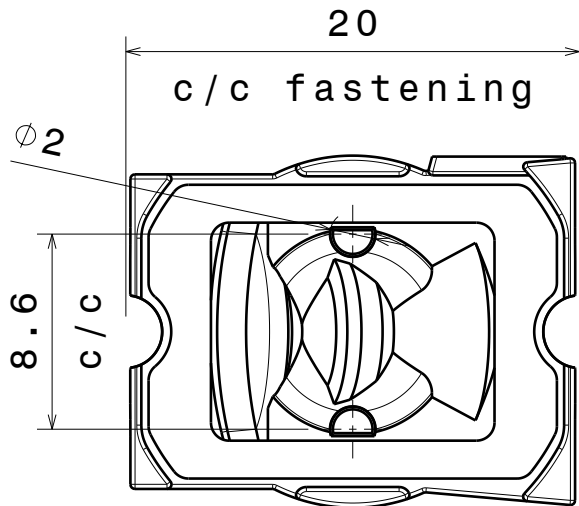
Front view

3

3



Top view



Bottom view

2

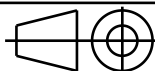
2

Tolerances if not otherwise shown
 According to DIN ISO 2768-1
 Linear measures:
 Up to 30mm class M, otherwise class C.
 According to DIN ISO 2768-2
 Form and position: class L



Ledil Oy
 Salorankatu 10
 FIN 24240 SALO
 Finland

THIRD ANGLE PROJECTION:



DRAWING TITLE

STRADA-FT

This drawing is the property
 of LEDiL Oy. It may not be
 reproduced, copied or
 communicated without a written
 agreement with LEDiL Oy."

SIZE PART NUMBER

A4

-

SCALE 3:1 WEIGHT

-

SHEET 1/1

1

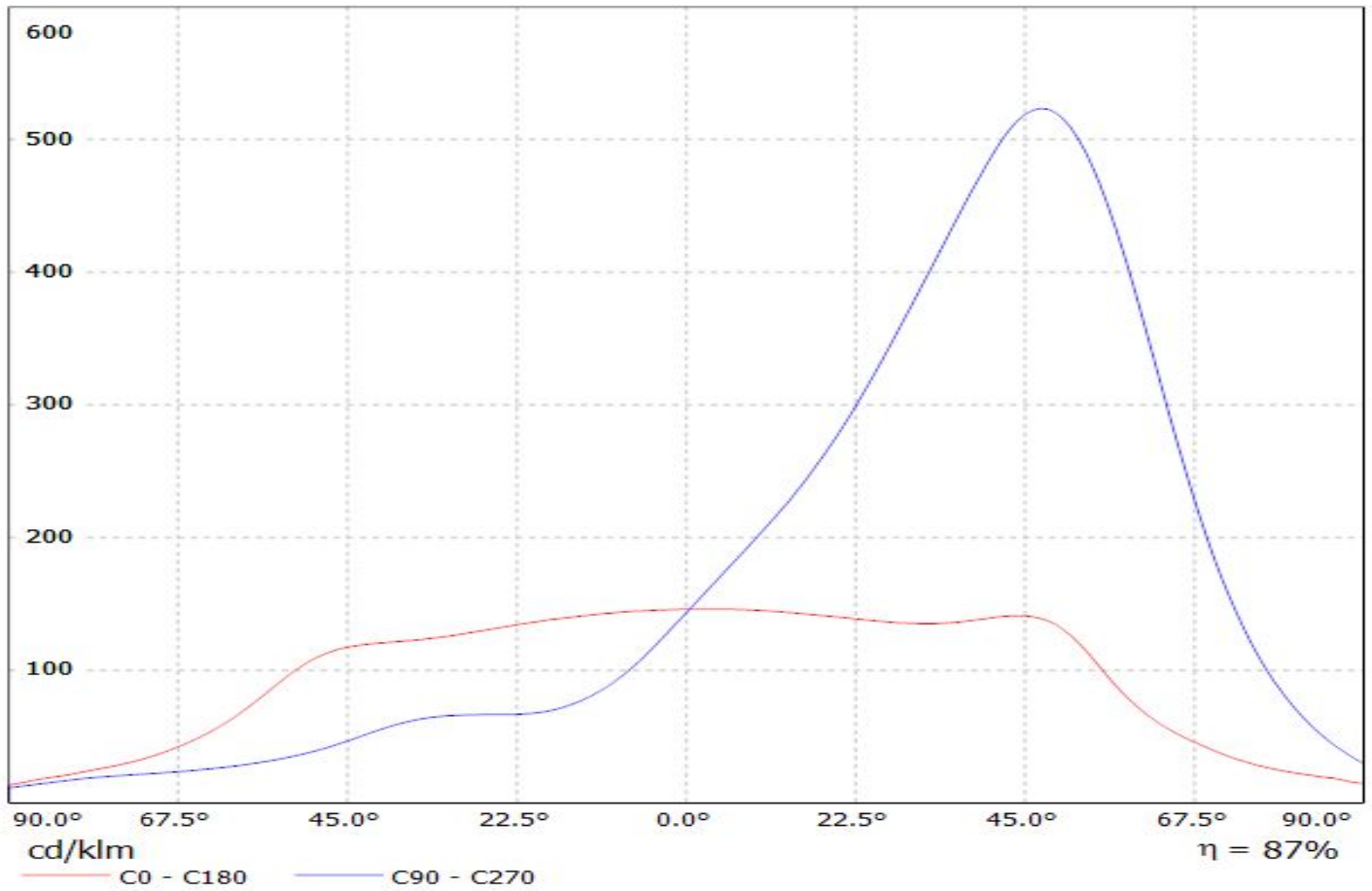
1

D

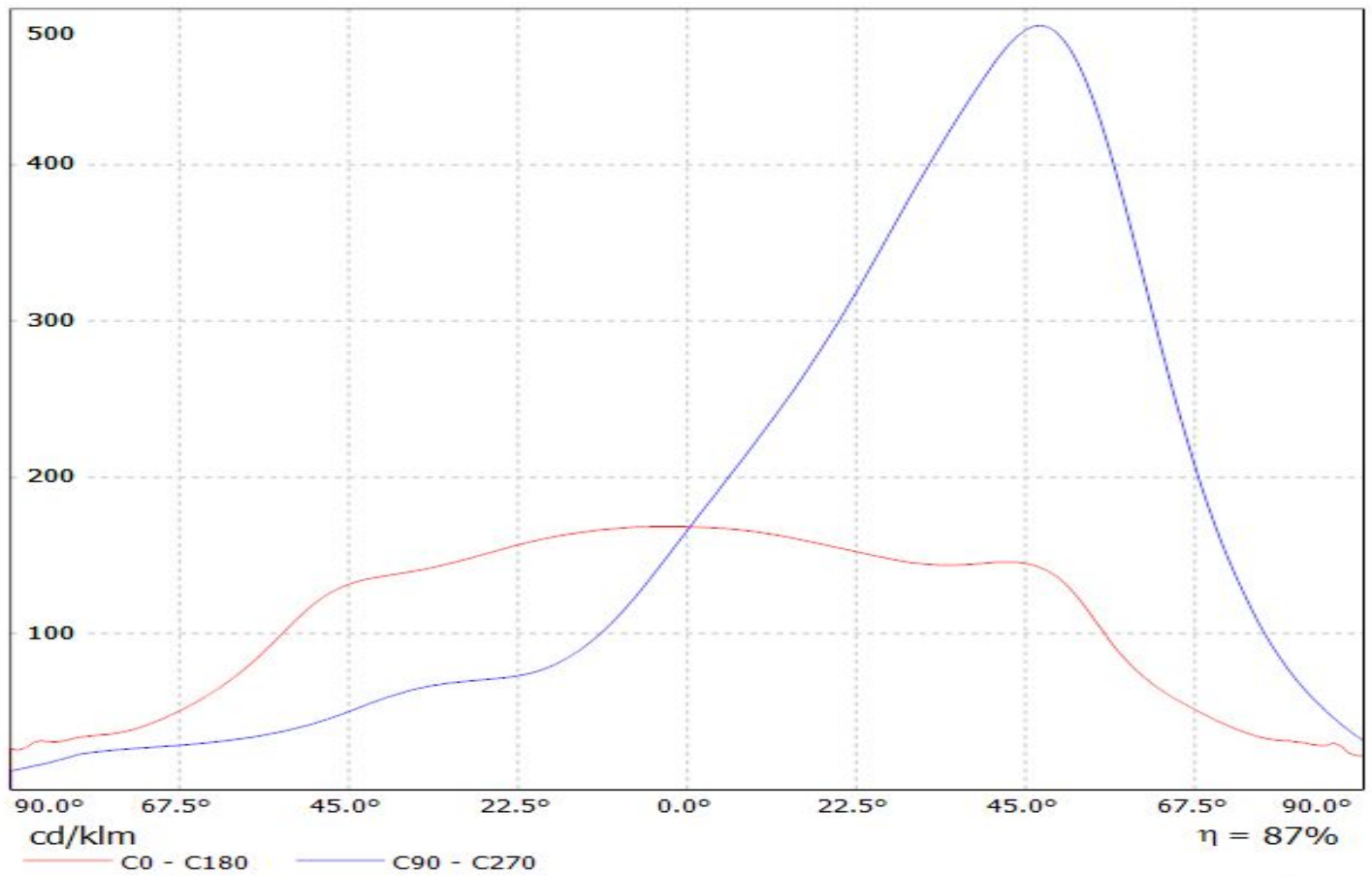
A

Luminaire: LEDiL Oy CA13477_STRADA-FT_(XP-G2) Eff.87.4%

Lamps: 1 x CREE_XP-G2_(XPGBWT-L1-0000-00FE4)_100.96lm@250mA_P=0.755898W_I=249.9mA

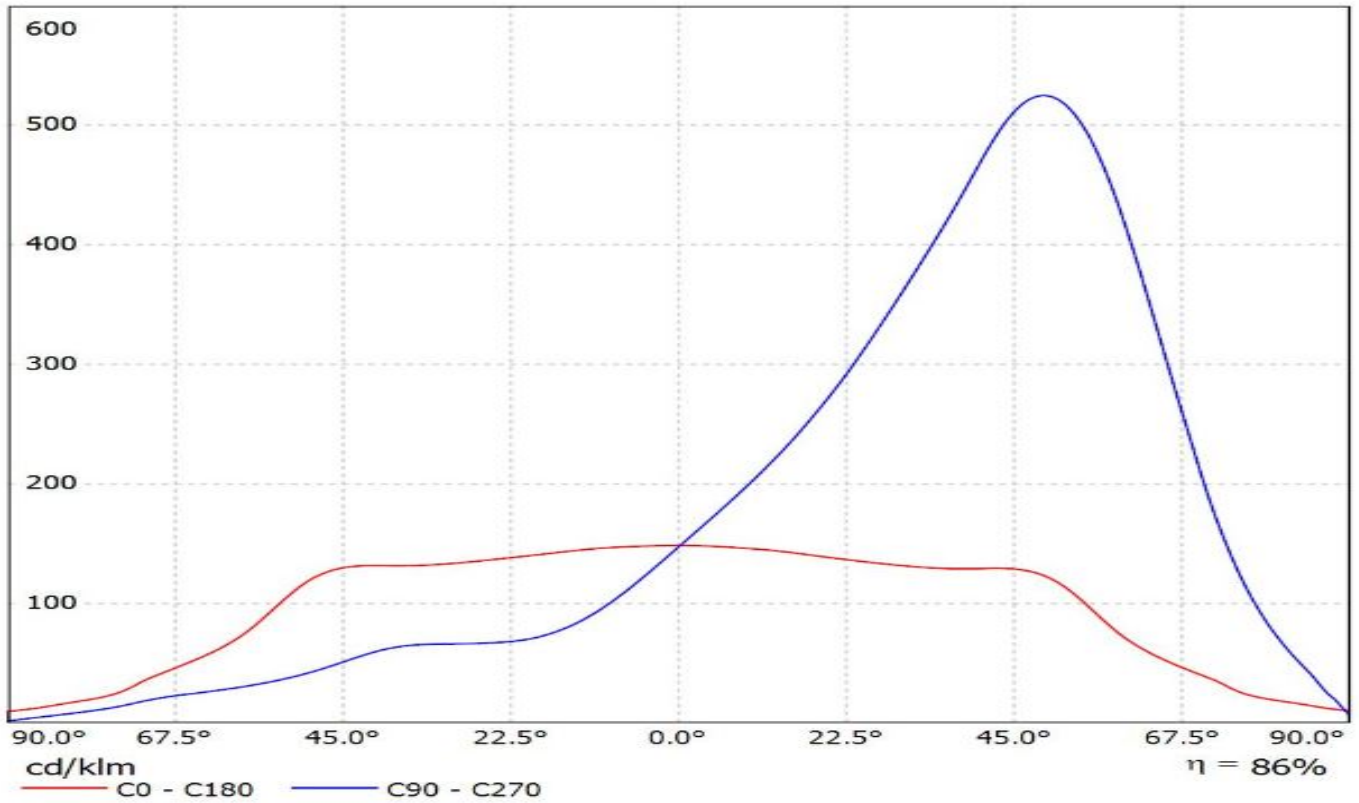


Luminaire: LEDiL Oy CA13477_STRADA-FT_(XT-E) Eff.87.2%
Lamps: 1 x Cree XT-E_(XTEAWT-00-0000-00000HBE8)
_75.4045lm@250mA_CCT=2811K_P=0.789284W_I=249.9mA

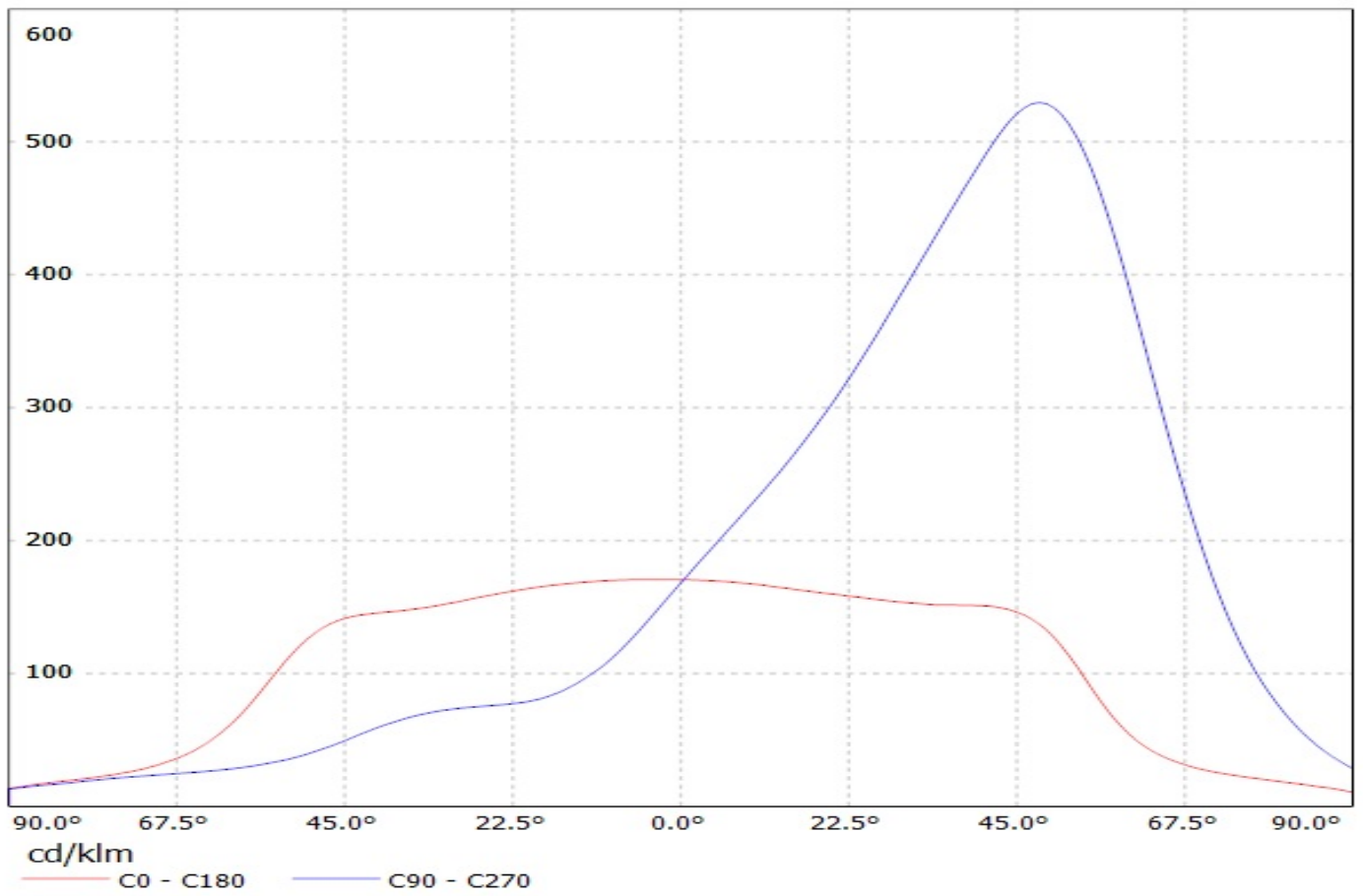


Ledil CA13477_STRADA-FT_(Fortimo_FastFlex_LED_board 2x8-757_DS_G3) / LDC (Linear)

Luminaire: Ledil CA13477_STRADA-FT_(Fortimo_FastFlex_LED_board 2x8-757_DS_G3)
Lamps: 1 x Philips_Fortimo_FastFlex_LED_board 2x8/757_DS_G3_(XP-G2)
_3428.78lm@500mA_P=23.7W_I=0.5A

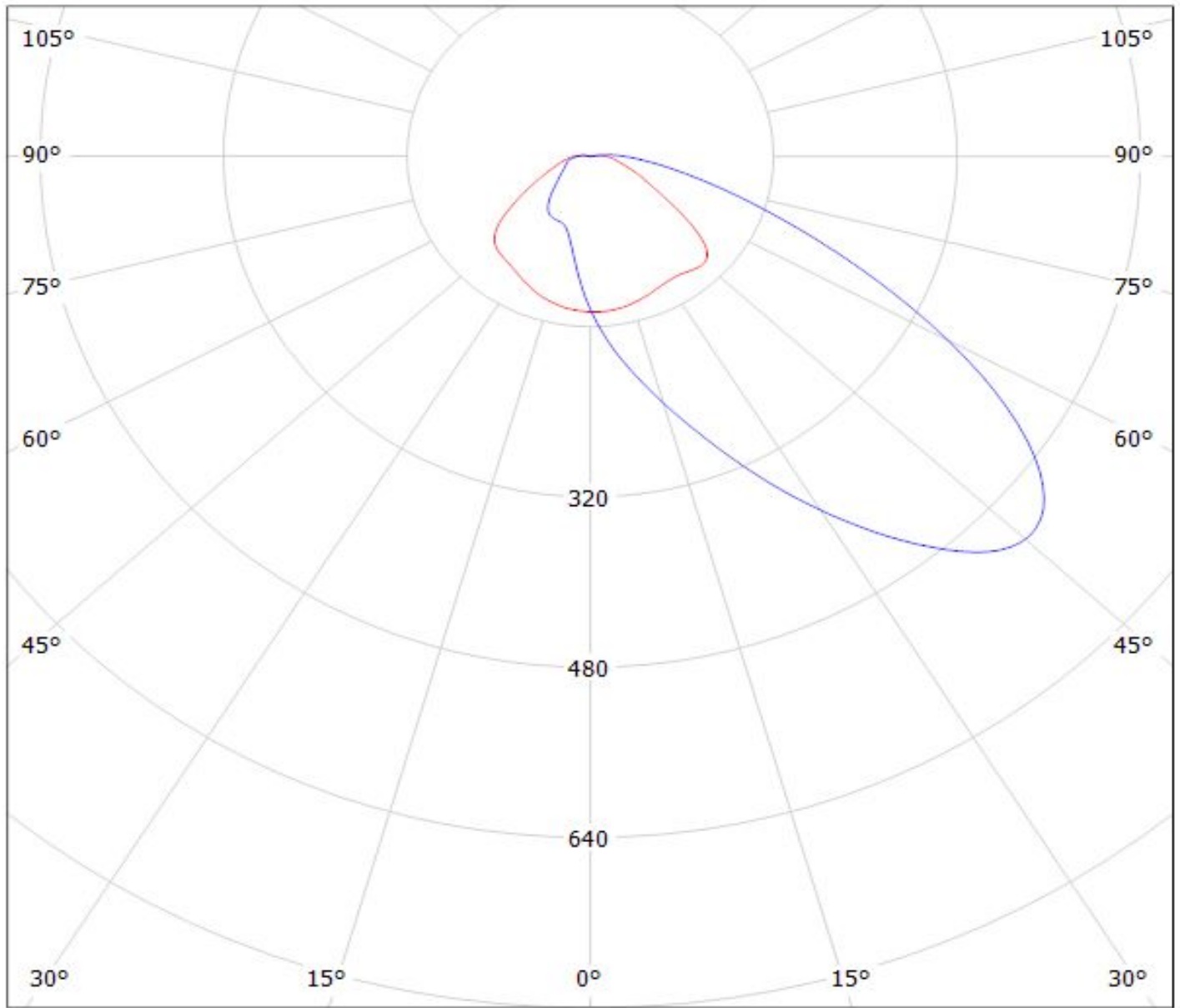


Luminaire: LEDiL Oy CA13477_STRADA-FT_(LH351Z) Eff.87.1%
Lamps: 1 x SAMSUNG_LH351Z_90.238lm@250mA_P=0.747026W_I=249.9mA



Luminaire: LEDiL Oy CA13477_STRADA-FT_(XP-G2) Eff.87.4%

Lamps: 1 x CREE_XP-G2_(XPGBWT-L1-0000-00FE4)_100.96lm@250mA_P=0.755898W_I=249.9mA

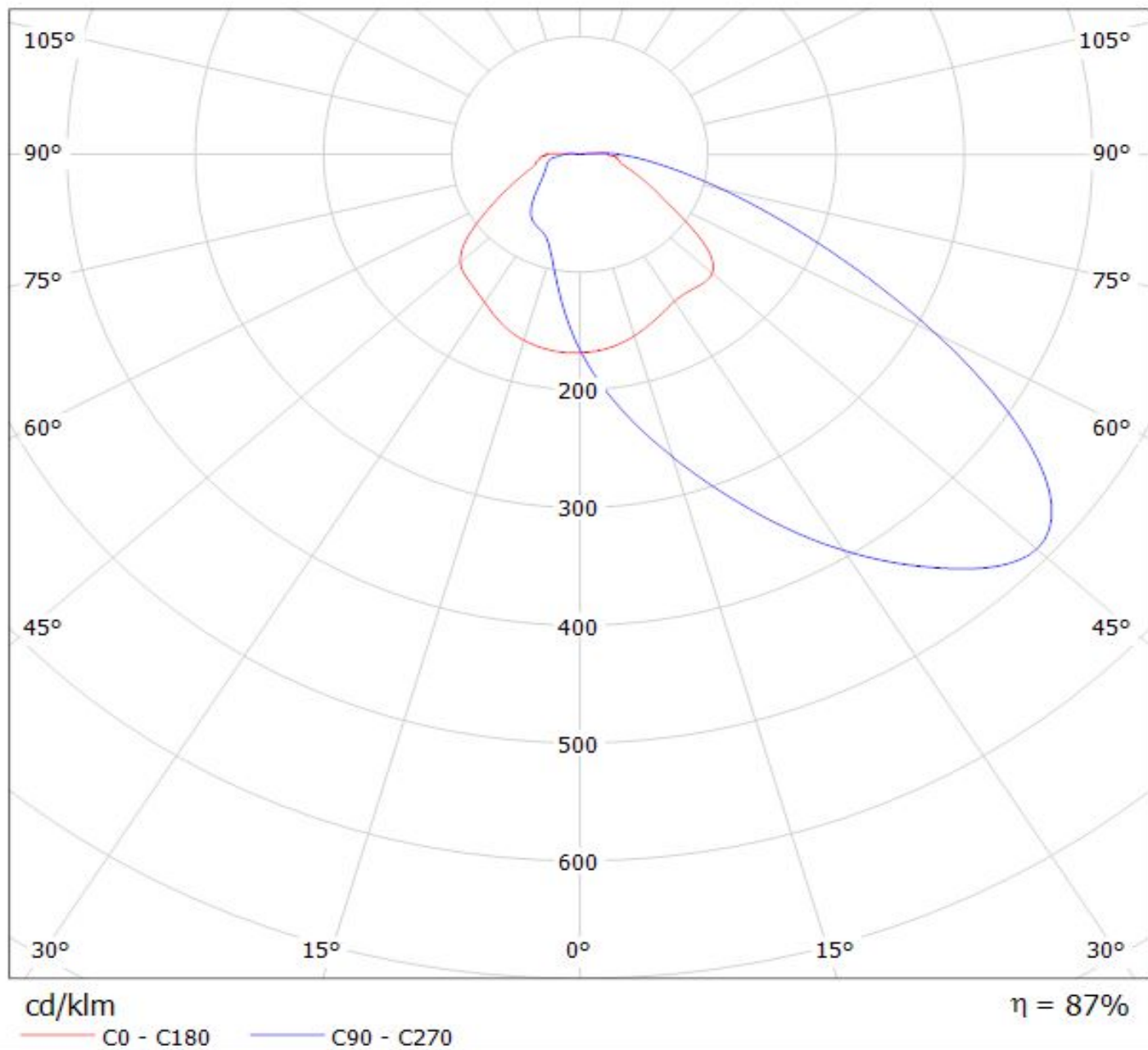


cd/klm

— C0 - C180 — C90 - C270

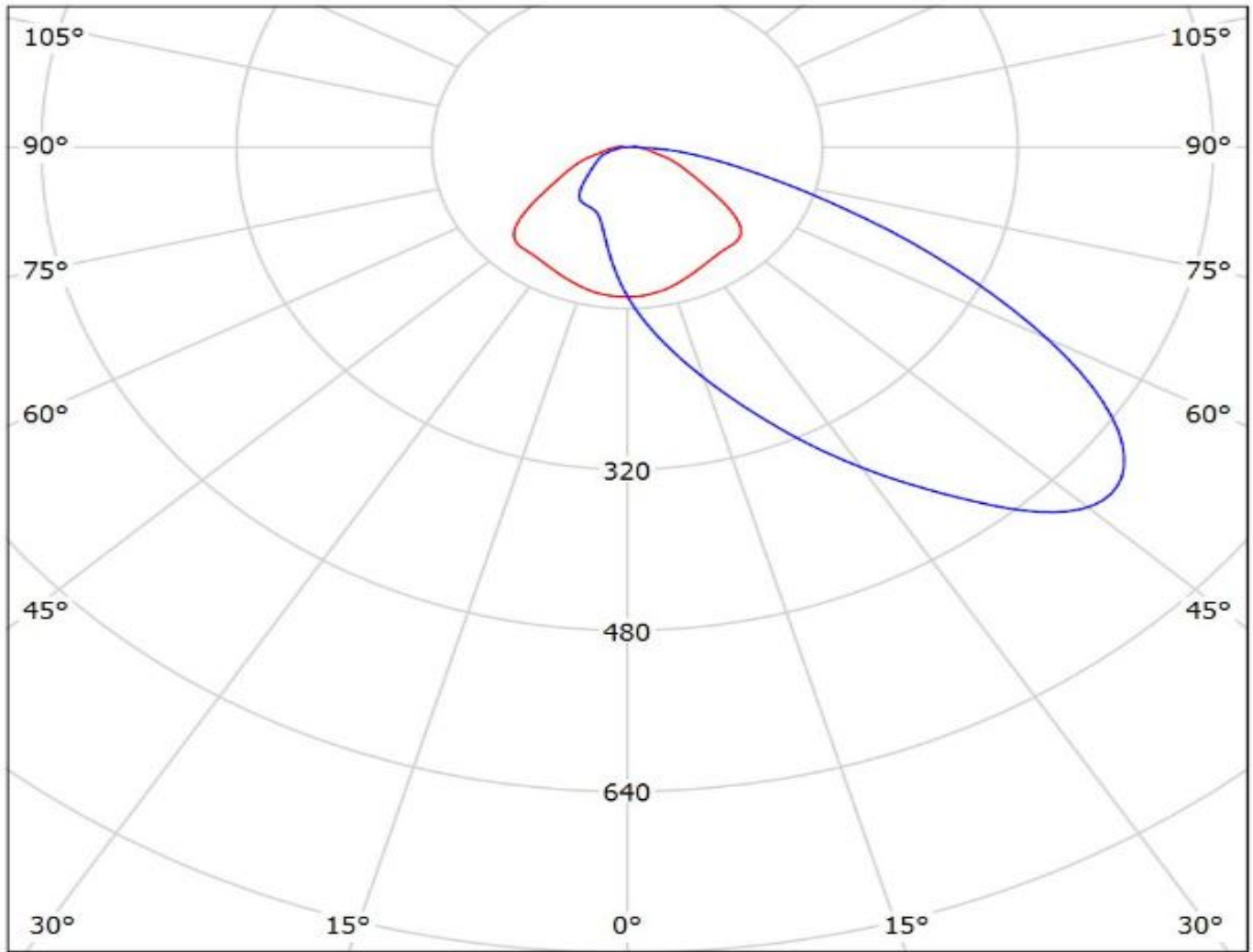
$\eta = 87\%$

Luminaire: LEDiL Oy CA13477_STRADA-FT_(XT-E) Eff.87.2%
Lamps: 1 x Cree XT-E_(XTEAWT-00-0000-00000HBE8)
_75.4045lm@250mA_CCT=2811K_P=0.789284W_I=249.9mA



Ledil CA13477_STRADA-FT_(Fortimo_FastFlex_LED_board 2x8-757_DS_G3) / LDC (Polar)

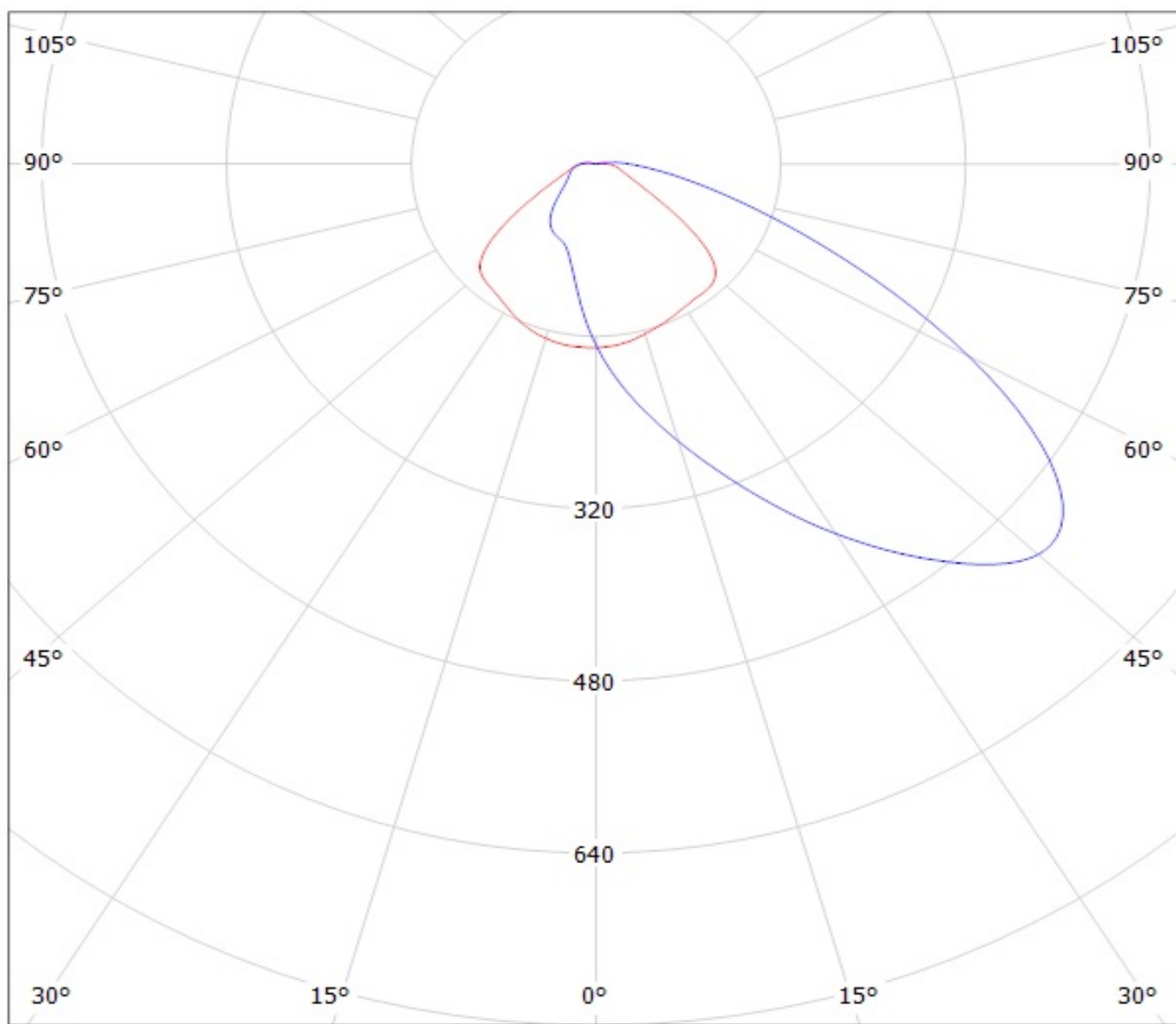
Luminaire: Ledil CA13477_STRADA-FT_(Fortimo_FastFlex_LED_board 2x8-757_DS_G3)
Lamps: 1 x Philips_Fortimo_FastFlex_LED_board 2x8/757_DS_G3_(XP-G2)
_3428.78lm@500mA_P=23.7W_I=0.5A



cd/klm
— C0 - C180 — C90 - C270

$\eta = 86\%$

Luminaire: LEDiL Oy CA13477_STRADA-FT_(LH351Z) Eff.87.1%
Lamps: 1 x SAMSUNG_LH351Z_90.238lm@250mA_P=0.747026W_I=249.9mA



cd/klm

— C0 - C180 — C90 - C270

NOTE: The typical divergence will be changed by different color, chip size and chip position tolerance. The typical total divergence is the full angle measured where the luminous intensity is half of the peak value.