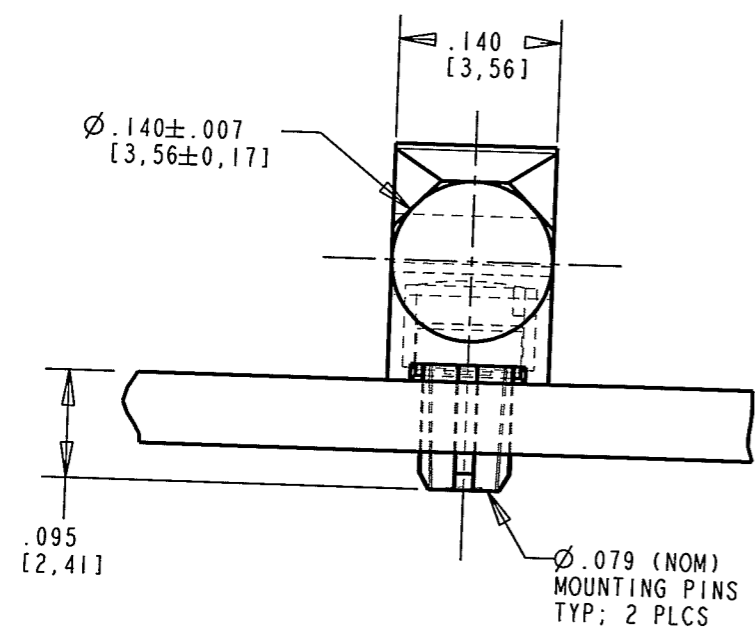
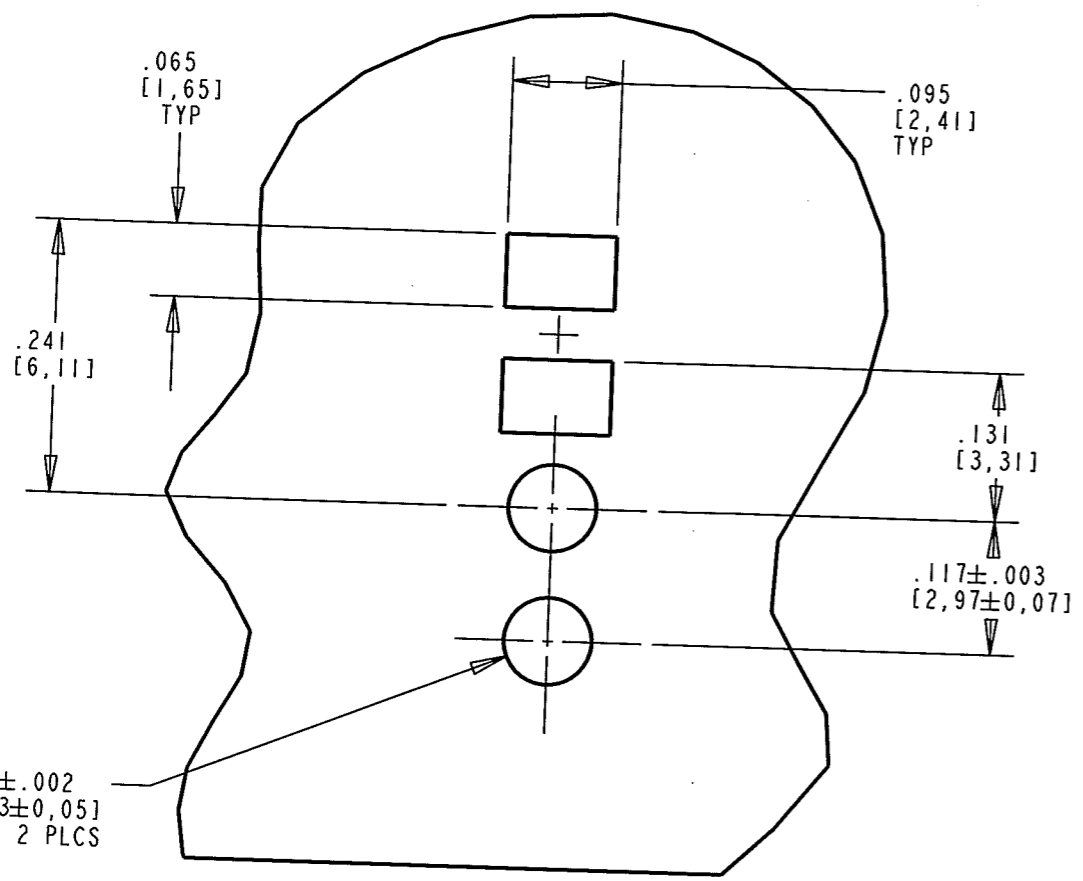
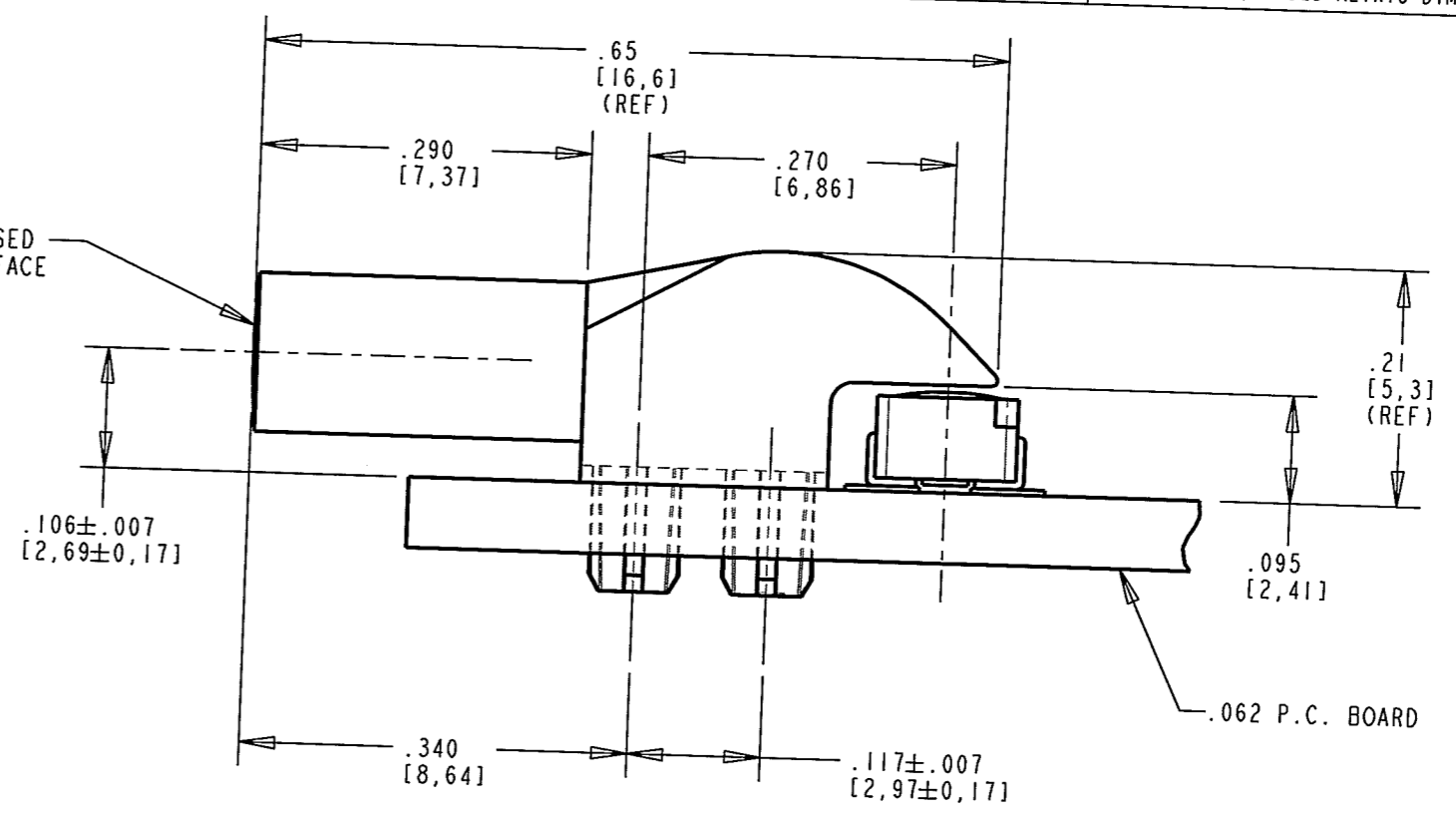


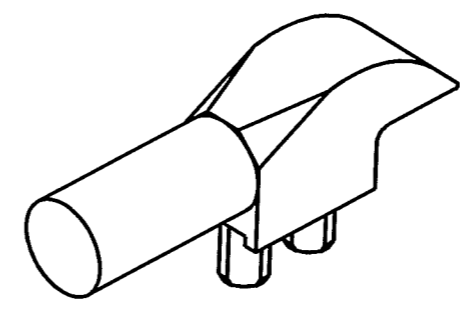
REV	ECN NO	REVISIONS	DRN	CKD	APP	DATE
A		NEW RELEASE	M.C.	D.C.	N.O.	4-7-00
B		ADDED NOTE 5, ADDED METRIC DIMS.	KLJ	7.0	1/9	4/1/08



CURVED & DIFFUSED FRONT SURFACE



SOLDER PAD/HOLES LAYOUT



SCALE 4.000

- NOTES:
1. COMPONENT TO BE MOLDED IN A CLEAR TRANSMISSIVE POLYCARBONATE.
 2. COMPONENT DESIGNED TO BE PRESSED INTO P.C. BOARD.
 3. LIGHTSOURCE: SINGLE COLOR SMT LED (DIALIGHT PART NUMBER: 597-3XXX-2XX SERIES).
 4. DIALIGHT LIGHTPIPE PART NUMBER: 515-1049.
 5. OPERATING/STORAGE TEMPERATURE: -30°C TO +100°C

THIS DRAWING AND THE CONTENTS HEREIN ARE CONFIDENTIAL AND THE SOLE PROPERTY OF DIALIGHT. REPRODUCTION OF THIS DRAWING OR CONSTRUCTION OF ANY PARTS WITHIN THIS DRAWING ARE FORBIDDEN WITHOUT THE WRITTEN CONSENT OF DIALIGHT.		
SCALE: 6.000	DRAWING NUMBER	REV
ALL DIM'S IN: INCHES (MM)	C-16134	B
TOLERANCES: UNLESS OTHERWISE SPECIFIED	TITLE SINGLE-ELEMENT LIGHT PIPE	
FRACTIONS: ±1/64	MATERIAL	
DECIMALS (.XX): ±.02	Dialight	
DECIMALS (.XXX): ±.015	1501 ROUTE 34 SOUTH	
DECIMALS (.XXXX): ±.0005	FARMINGDALE, NJ 07727	
ANGLES: ±3°	FSCM 83330	
FINISH:	SHEET 1 OF 1 FAMILY TARIFF	