

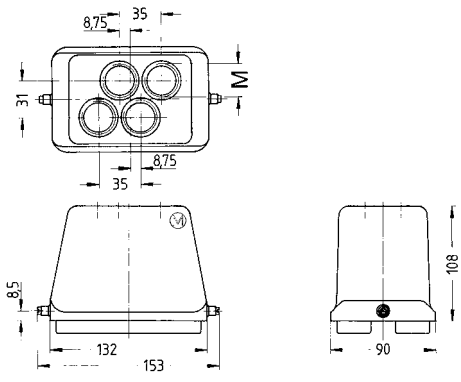
single locking lever

Identification	Cable entry	Part number	Drawing Dimensions in mm
----------------	-------------	-------------	-----------------------------

<p>Han® M, Hoods, top entry</p> 
---

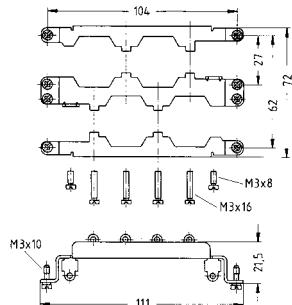
<p>4xM25</p>
--------------

<p>19 37 048 0401</p>
-----------------------


---

<p>Frame, for 4 x HC 350 contacts + 2 x Han® Q 5/0</p> 
--

<p>09 11 000 9954</p>
-----------------------

 <p>Tightening torque Fixing screws M3: 0.5 Nm                  Tightening torque Fixing screws Han® Q 5/0: 0.25 Nm                  Tightening torque Cross-tying screws 1.5 Nm</p>
---

HC-Modular