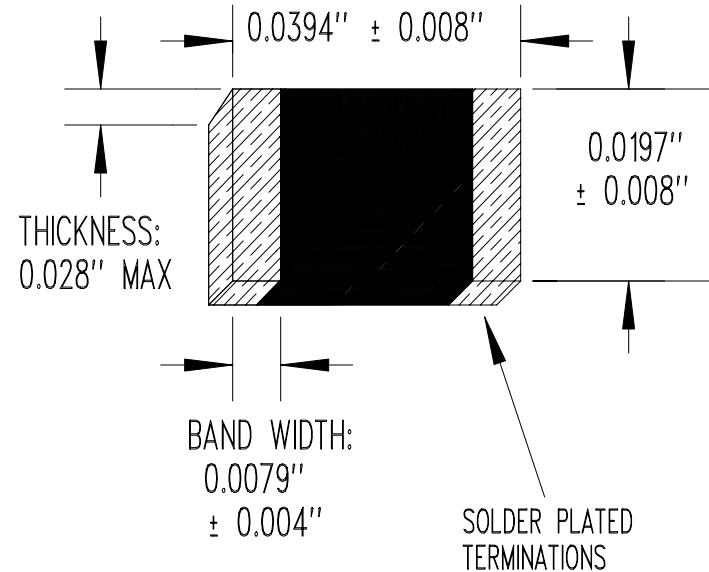


RESISTANCE/TEMPERATURE TABLE			
TEMP (°C)	RESIS (Ω)	TEMP (°C)	RESIS (Ω)
-40	210,327	45	4,544
-35	161,520	50	3,781
-30	124,750	55	3,161
-25	96,881	60	2,655
-20	75,634	65	2,240
-15	59,344	70	1,898
-10	46,789	75	1,615
-5	37,062	80	1,379
0	29,489	85	1,182
5	23,564	90	1,016
10	18,908	95	875.7
15	15,233	100	757.2
20	12,319	105	656.7
25	10,000	110	571.2
30	8,141	115	498.2
35	6,666	120	435.6
40	5,489	125	382.0



RESISTANCE @ +25°C = 10,000 Ω ± 5%
 BETA "β" (+25 TO +85°C) = 3,800°K NOMINAL
 POWER RATING = 40 mW
 OPERATING TEMPERATURE RANGE = -40 TO +125°C

SEE MANUFACTURING SPECIFICATION (LAYER 1)

NONE	RELEASE TO PRODUCTION	12/04/03	DD
REV	REVISION RECORD	DATE	APP

SCALE NONE	U.S. SENSOR CORP. 1832 W. COLL INS AVE. ORANGE, CA. 92867 714-639-1000 www.ussensor.com
DRAWN BY DAN DANKERT	
DATE 12/04/03	
REV. NONE	
LAYER 0 OF 2	
THERMISTOR, NTC CHIP	
P/N RA103GOJ	