


| SIGN | DATE | DESCRIPTION | APPROVER |
|------|------------|--|----------|
| | 2008.02.02 | Current rating changed from 10A to 15A | Jun |

THIS IS CAD DRAWING, DO NOT REVISE MANUALLY!!!

Material

- Terminal body
- (metal housing): Brass Machined
- Terminal screw: Steel Zinc plating "--" slot type
- Contacts: Brass
- Surface of solder tail: Tin plated
- Insulator (housing): Thermoplastic (UL94V-0)

Electrical UL/CSA

- Voltage rating: 300VAC/300VAC
- Current rating: 10A/10A
- Wire range:
 - Solid wire(AWG): 12-22/12-22
 - Stranded wire(AWG): 12-22/12-22
- Torque: 3.5Lb-In/4Kgf.cm
- Screw: M2.5
- Wire strip length: 6-7mm
- Withstanding Voltage: 1.6KV/1.6KV
- Operating temperature: -30°C to +105°C
- Soldering temperature: 250°C±10°C/5 Sec
- Safety Approval: 

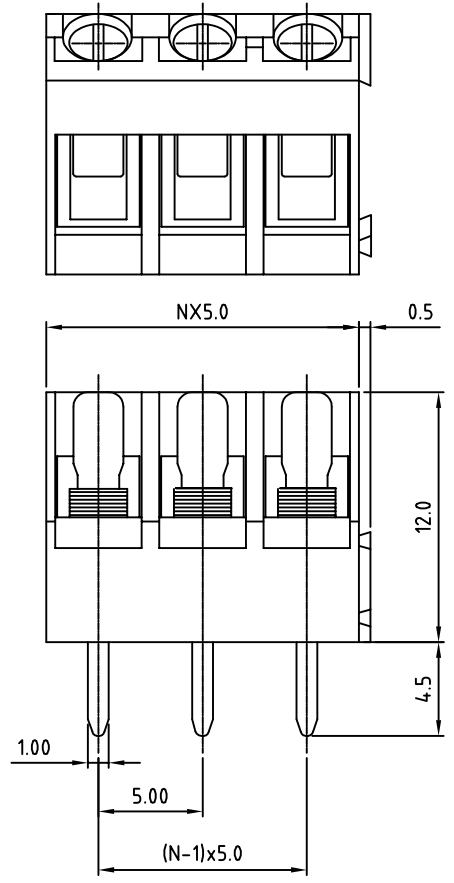
RoHS Compliant

PART NUMBER

OSTTGXX01600

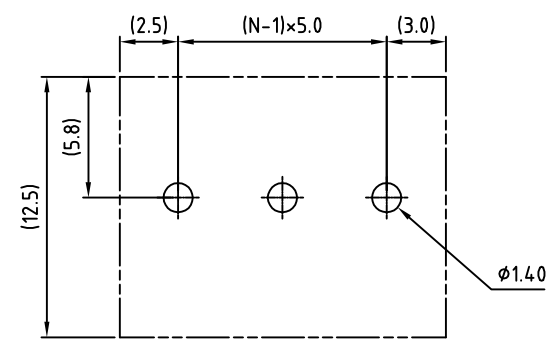
- No. of Poles
- 02: 2 Poles
- 03: 3 Poles
-
- 24: 24 Poles

- COLOR**
- 0: Black
 - 5: Green
 - 6: Blue (Standard)
 - 8: Grey



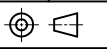
N=Number of contacts

P.C.B LAYOUT



THESE DRAWINGS AND SPECIFICATIONS ARE THE PROPERTY OF ON-SHORE TECHNOLOGY, INC. AND SHALL NOT BE REPRODUCED, COPIED OR USED IN ANY MANNER WITHOUT THE PRIOR WRITTEN CONSENT OF ON-SHORE TECHNOLOGY, INC.



| TITLE | | OSTTG 5.0mm series, short interlock, STANDARD | | | |
|-----------------------|-----------------------|---|---------------------------|---|---|
| PART NO. | OSTTGXX01600 | DWG NO. | OSTTGXX01600.DWG | | |
| APPROVED | CHECKED | DESIGNED | DRAWN | CUST NO. | Tolerance |
| Shi Jun 2006.10.20 | Shi Jun 2006.10.20 | xionghaitao 2006.10.20 | xionghaitao 2006.10.20 |  | X. ±0.50 X.X ±0.30 X.XX ±0.10 X° ±1° |
| | | | | SHEET: 01/01 | REV: F |