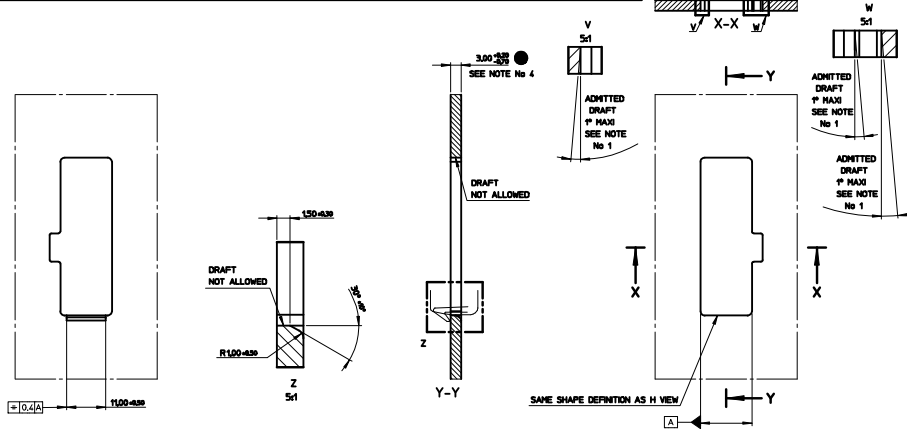
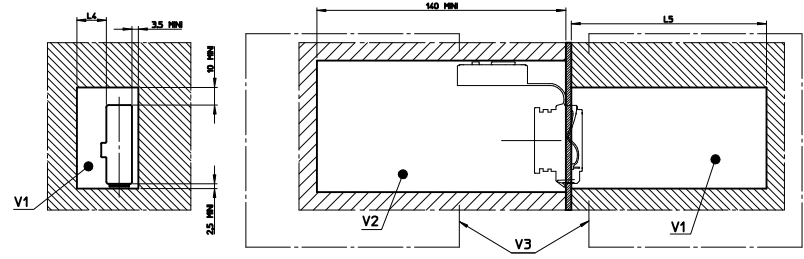


SPECIFIC FORM No 1 : REINFORCED PLASTIC SUPPORT (SEE CHART)

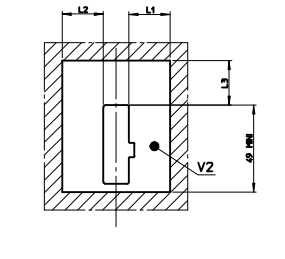


ACCESS AREA

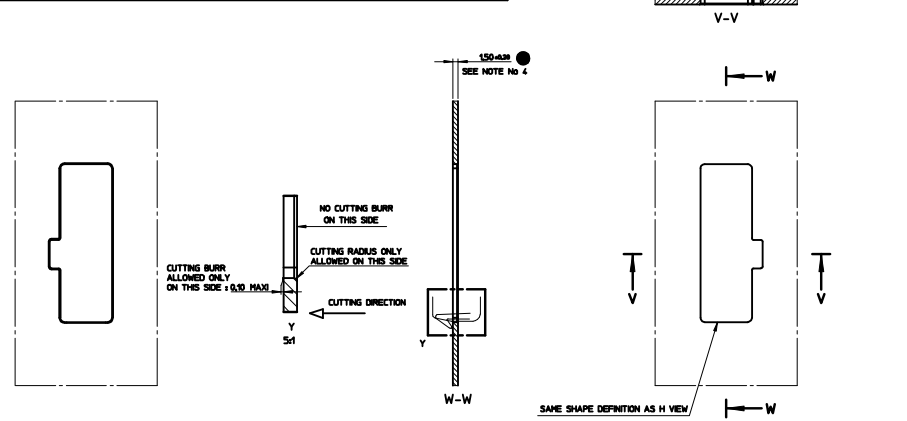
- V1 - MINIMUM ACCESS AREA FOR :
    - VEHICLE CONNECTOR MATTING ON SUPPORT
  - V2 - MINIMUM ACCESS AREA FOR :
    - VEHICLE CONNECTOR MATTING ON SUPPORT
    - VEHICLE CONNECTOR APERTURE COVER
    - EXTERNAL TEST EQUIPMENT CONNECTOR MATTING
  - V3 - ENVISAGE OPERATOR HANDLE ACCESS AREA
- FOLLOWING ACCESS AREA IS DEFINED FOR EXTERNAL TEST EQUIPMENT CONNECTOR DIMENSIONS (25x48x120) ACCORDING TO ISO 5031-3 STANDARD



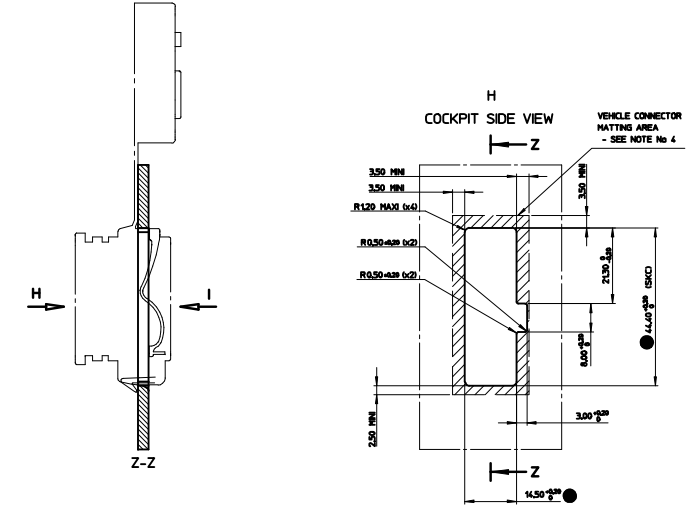
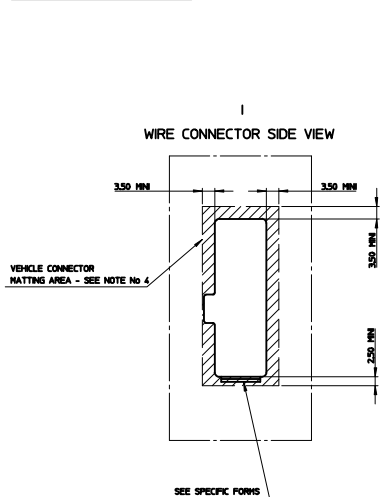
	L1	L2	L3	L4	L5
VEHICLE CONNECTOR WITH COVER	23 MM	23 MM	25 MM	17 MM	70 MM
VEHICLE CONNECTOR WITHOUT COVER	10 MM	10 MM	9 MM	33 MM	60 MM



SPECIFIC FORM No 2 : METAL SUPPORT (SEE CHART)



SHAPE DEFINITION



- NOTE:
- No 1 - DRAFT NOT ALLOWED EXEPT ON THE PLANE FOR WHICH IT IS SPECIED SEE DETAIL V and W.
  - No 2 - THE MATERIAL MUST ALLOW TO KEEP DIMENSIONS AND MECHANICAL CHARACTERISTICS WHICH ARE SPECIFIED ON DRAWING AFTER THE CONNECTOR MATTING ON THE SUPPORT
  - No 3 - SPECIFIC FORMS n°1 and n°2 MUST BE APPLIED ACCORDING TO THE MATERIAL CHOICE (SEE CHART)
  - No 4 - THICKNESS SUPPORT DIMENSION HAVE TO BE RESPECTED IN THE AREA NAMED "VEHICLE CONNECTOR MATTING AREA"

SPECIFIC FORMS ACCORDING TO MATERIAL SUPPORT

MATERIAL SUPPORT	FORM TO BE APPLIED	REQUIRED MECHANICAL CHARACTERISTICS	
		INSERTION STRENGTH CONNECTOR - SUPPORT	RETENSION STRENGTH CONNECTOR - SUPPORT
REINFORCED PLASTIC	PA66-GF20 - PBT-GF30 PA66-GF30 - PBT-GF30	No 1	50 N MAXI 200 N MIN
METAL	STEEL	No 2	50 N MAXI 200 N MIN

ALL MATERIALS WHICH ARE NOT MENTIONED IN THE CHART, HAVE TO BE SUBMITTED TO A QUALIFICATION

CSKO COTES CARACTERISTIQUES SPECIALES

SYMBOL	DESCRIPTION
□	INDICATION DIMENSIONS S.P.C DENIES SPZ DIMENSIONS
○	INDICATION DIMENSIONS CRITIQUES DENIES CRITICAL DIMENSIONS
●	INDICATION DIMENSIONS FUNCTIONNELLES DENIES FUNCTIONAL DIMENSIONS
○	QUANTITE PAR FEUILLE INDIVIDUELLE QUANTITY PER INDIVIDUAL SHEET

CSKO1

IST RELEASE EC NO. 02007-004 DRAWN BY: POUCHAUD CHECKED BY: PPAROLARI APPROVAL CODE: 20071116	QUALITY SYMBOLS ▽=0 ▽=0	GENERAL TOLERANCES (UNLESS SPECIFIED) 4 PLACES ± 0.10 ± 0.15 3 PLACES ± 0.15 ± 0.20 2 PLACES ± 0.20 ± 0.25 1 PLACE ± 0.05 ± 0.10 ANGULAR ± 1°	DIMENSION STYLE MM ONLY	SCALE 2:1	DESIGN UNITS METRIC	FIRST ANGLE PROJECTION	DRAWN BY: POUCHAUD DATE: 2007/09/20	CHECKED BY: PPAROLARI DATE: 2007/09/20	APPROVED BY: LSTICKEIR DATE: 2007/09/21	MATERIAL NO.:	TITLE SUPPORT INTERFACE FOR NSCC OBD2 RCPT CONN 15 16 CKT W/ OR W/O CAP	MOLEX INCORPORATED	DOCUMENT NO. SD-98977-001	SHEET NO. 1 OF 1