

DETAILS

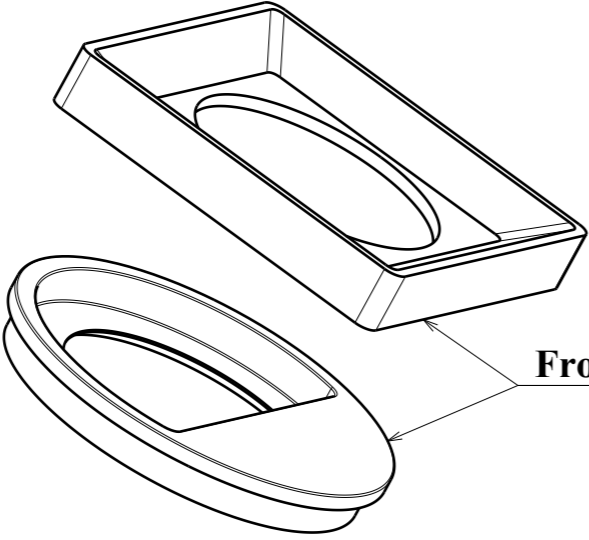
Product Number	FN15380_RONDA-WAS
Family	Ronda
Type	Assembly
Color	white
Diameter	69,9 mm
Height	22,3 mm
Style	round
Optic Material	PMMA
Holder Material	
Fastening	socket
Status	production ready
ROHS Compliant	Yes
Date Updated	26/01/2017



OPTICAL PROPERTIES

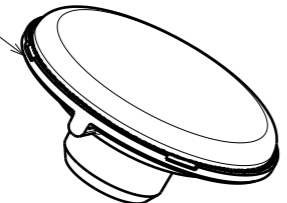
LED	Viewing Angle	Light Beam	Efficiency	cd/lm	Connector
V13 Gen7	Asymmetric deg	Asymmetric	84 %	0.620	TE: 2213254-2 + OPTIC CLIP Z50 TYPE1 2213194-1
V13 Gen7	sim: Asymmetric	Asymmetric	sim: 89 %	sim: 0.000	IDEAL: 50-2103CT + 50-2100AN
CXA/B 1816 & CXA/B 1820 & CXA 1850	sim: Asymmetric	Asymmetric	-	-	TE: 2213401-2 + OPTIC CLIP Z50 TYPE1 2213194-1
LUXEON CoB 1202/1203	sim: Asymmetric	Asymmetric	sim: 85 %	-	TE: 2213382-2 + OPTIC CLIP Z50 TYPE1 2213194-1
COB L-Type (LES 9)	sim: Asymmetric	Asymmetric	sim: 85 %	-	TE: 2213382-2 + OPTIC CLIP Z50 TYPE1 2213194-1
NSCxL036A	sim: Asymmetric	Asymmetric	sim: 86 %	-	TE: 2213382-2 + OPTIC CLIP Z50 TYPE1 2213194-1
COB J-Type	Asymmetric deg	Asymmetric	83 %	0.570	IDEAL: 50-2103NC + 50-2100AN
Fortimo SLM G5 LES 15 Standard	Asymmetric deg	Asymmetric	82 %	0.540	TE: OPTIC CLIP Z50 TYPE1 2213194-1
LC040C	Asymmetric deg	Asymmetric	88 %	0.770	TE: 2213382-2 + OPTIC CLIP Z50 TYPE1 2213194-1
AC Zhaga COB	Asymmetric deg	Asymmetric	86 %	0.610	Optosource: SEHSMJD-A
MJT COB LES 14.5	Asym deg	Asymmetric	82 %	0.500	TE: 2213254-2 + OPTIC CLIP Z50 TYPE1 2213194-1
SLE G6 LES15	sim: Asymmetric	Asymmetric	sim: 80 %	sim: 0.690	TE: 2213254-2 + OPTIC CLIP Z50 TYPE1 2213194-1

H G F E D C B A



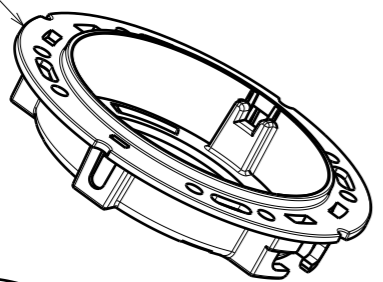
Front plate examples

D=49.9

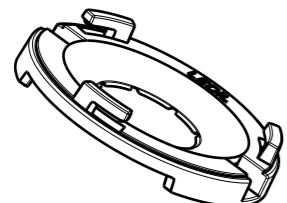


Optic

D=69.9mm



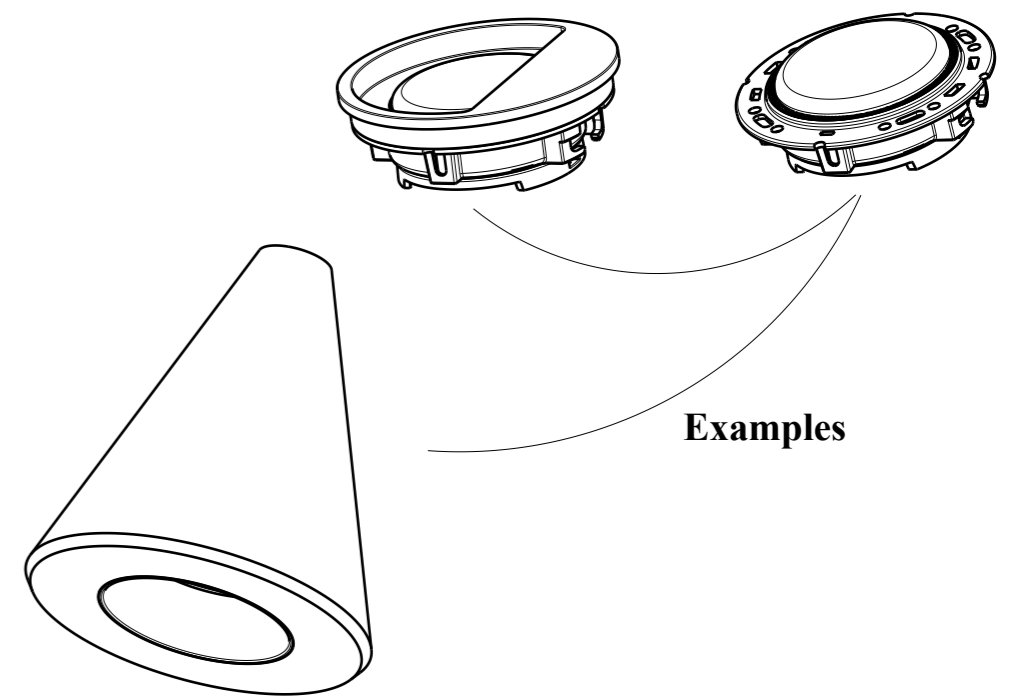
Ledil-clamp / TE / Bender-wirth / other twist and lock socket types (holder A)



BJB and Stucchi 50mm (holder B)

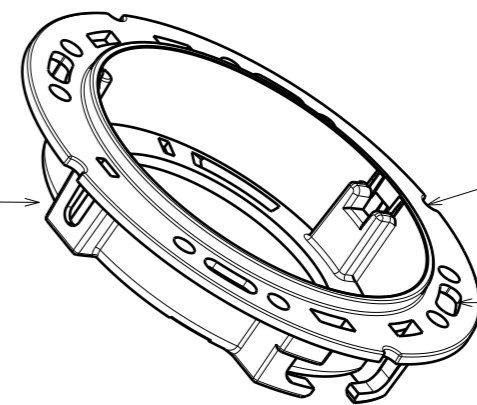


LES size up to ~14mm, see compatibility www.ledil.com



Examples

Horizontal fix: M3 Nut + bolt



Rotation fix

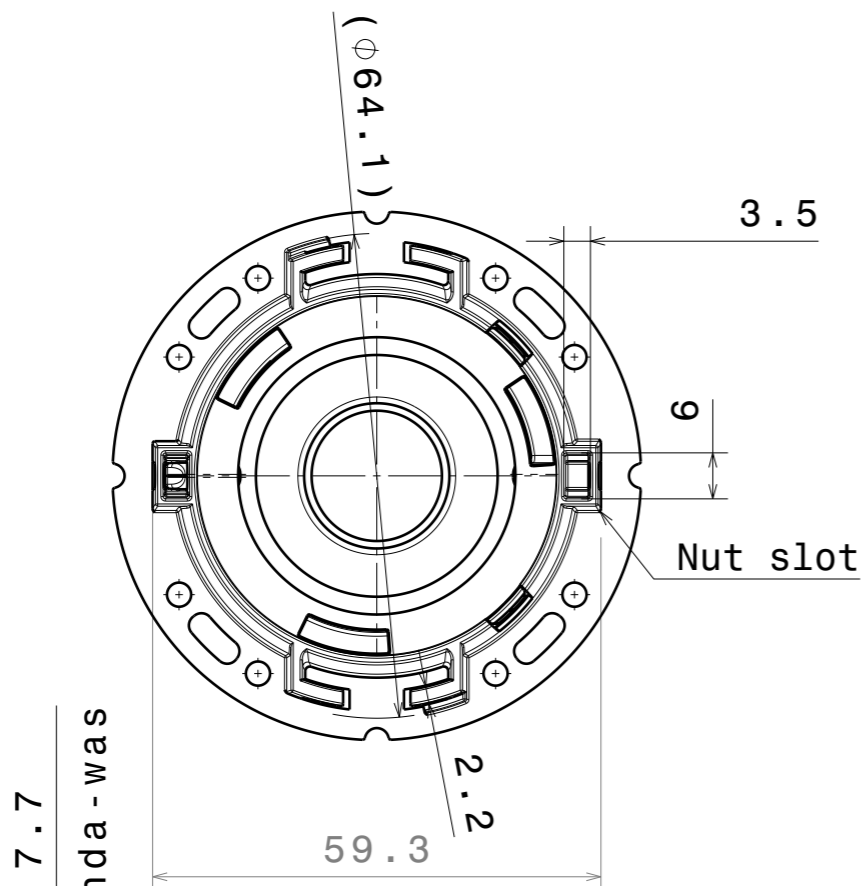
Vertical fix: M3 Screw / Twist and lock / Snap

Tolerances if not otherwise shown According to DIN ISO 2768-1 Linear measures: up to 30mm class M, otherwise class C According to DIN ISO 2768-2 Form and position: class L		LEDiL Ledil Oy Salorankatu 10 FIN 24240 SALO Finland	
THIRD ANGLE PROJECTION:		DRAWING TITLE <p style="text-align: center;">RONDA-family</p>	
This drawing is the property of LEDiL Oy. It may not be reproduced, copied or communicated without a written agreement with LEDiL Oy.		SIZE <p style="text-align: center;">A3</p>	PART NUMBER <p style="text-align: center;">-</p>
		SCALE 1:1	WEIGHT -
		SHEET 1/3	

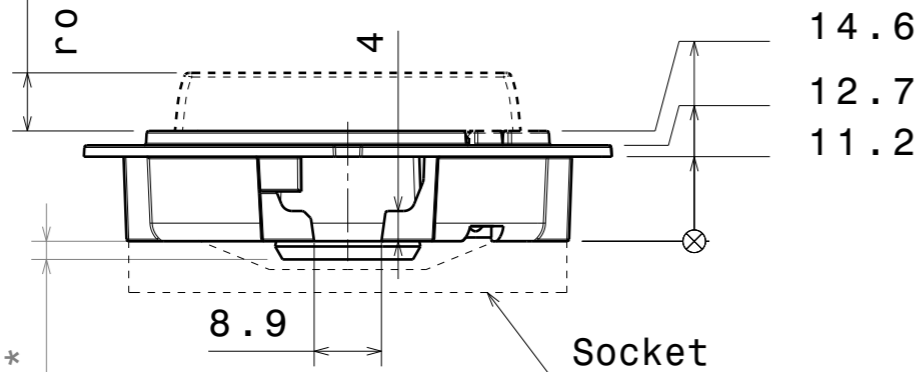
See more details on page 2 and 3

H G B A

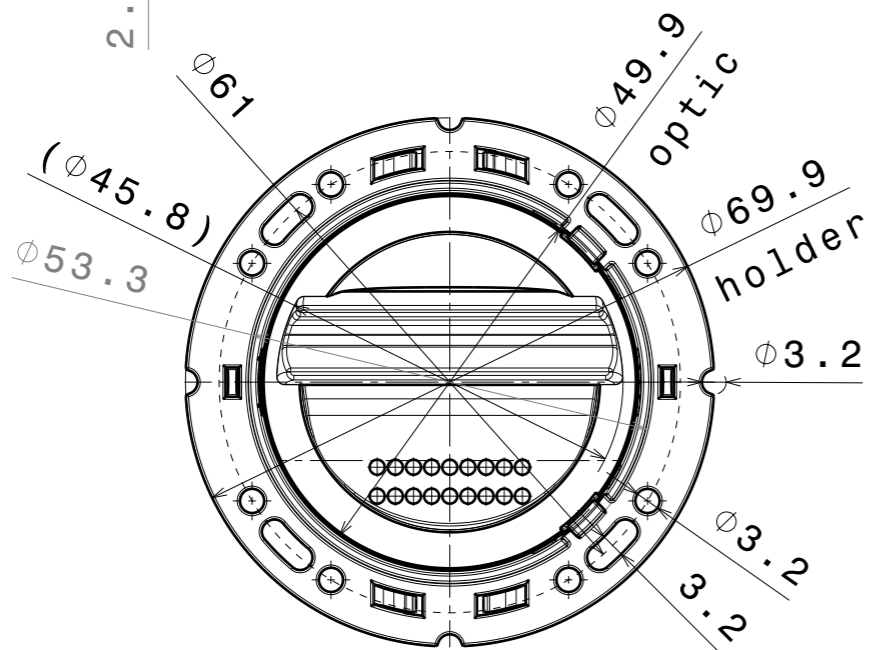
Bottom view



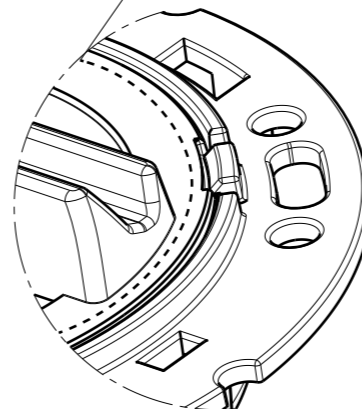
Front view



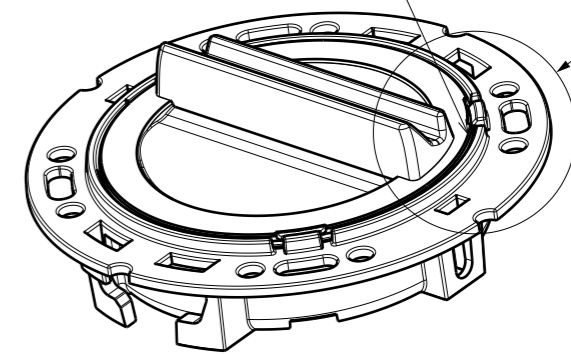
Top view



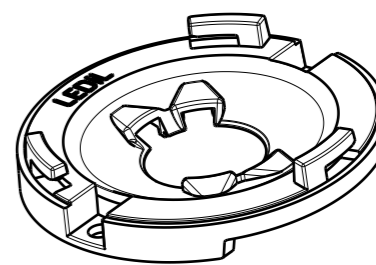
Front panel location suggestion when seamless look needed



Detail A



Isometric view



* Ensure from 3d according specific optic version

Tolerances if not otherwise shown
According to DIN ISO 2768-1
Linear measures:
up to 30mm class M, otherwise class C
According to DIN ISO 2768-2
Form and position: class L

LEDiL Ledil Oy
Salorankatu 10
FIN 24240 SALO
Finland

THIRD ANGLE PROJECTION:

DRAWING TITLE
RONDA-family

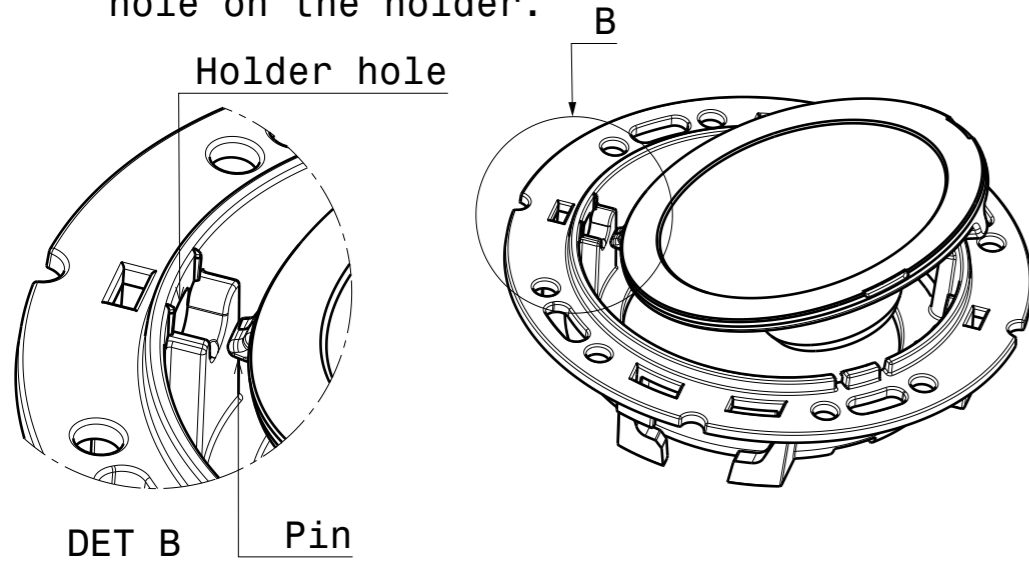
This drawing is the property of LEDiL Oy. It may not be reproduced, copied or communicated without a written agreement with LEDiL Oy.

SIZE PART NUMBER
A3 -

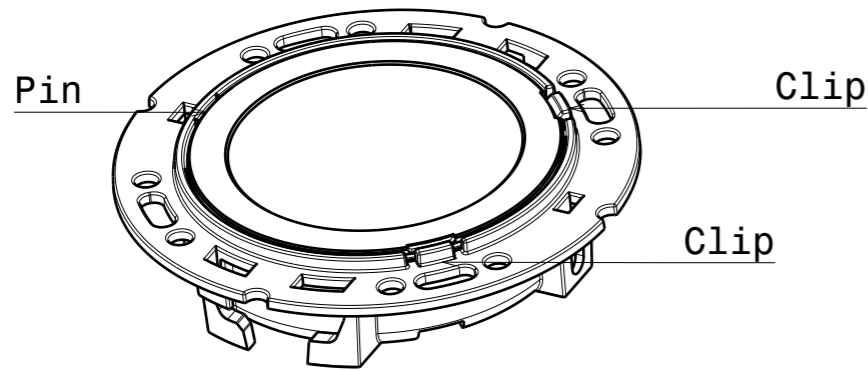
SCALE 1:1 WEIGHT - SHEET 2/3

OPTIC/HOLDER ASSEMBLY

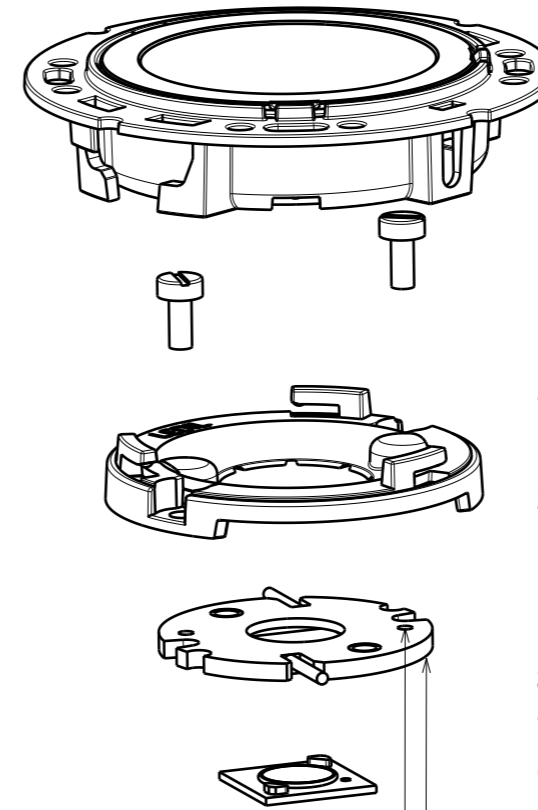
1. Place pin on the side of the lens into relative hole on the holder.



2. Press the lens under clips on the holder, ensuring both clips are fixed.



TYPICAL CONNECTOR ASSEMBLY (including solderless BENDER WIRTH as example)



1. Ensure correct relation of clamp and connector before screwing. Recommended torque 0.6Nm.

2. Assemble LED, BENDER&WIRTH connector and C13658_CLAMP-VER013-18 clamp on heatsink with M3 screw.

3. Attach optic by aligning the holes in the holder with hooks and turning the optic holder clockwise until it locks.

Bender&Wirth model 4xx Typ L1

Align clamp positioning pin with holes in the connector.

Tolerances if not otherwise shown
According to DIN ISO 2768-1
Linear measures:
up to 30mm class M, otherwise class C
According to DIN ISO 2768-2
Form and position: class L

LEDiL LediL Oy
Salorankatu 10
FIN 24240 SALO
Finland

THIRD ANGLE PROJECTION:

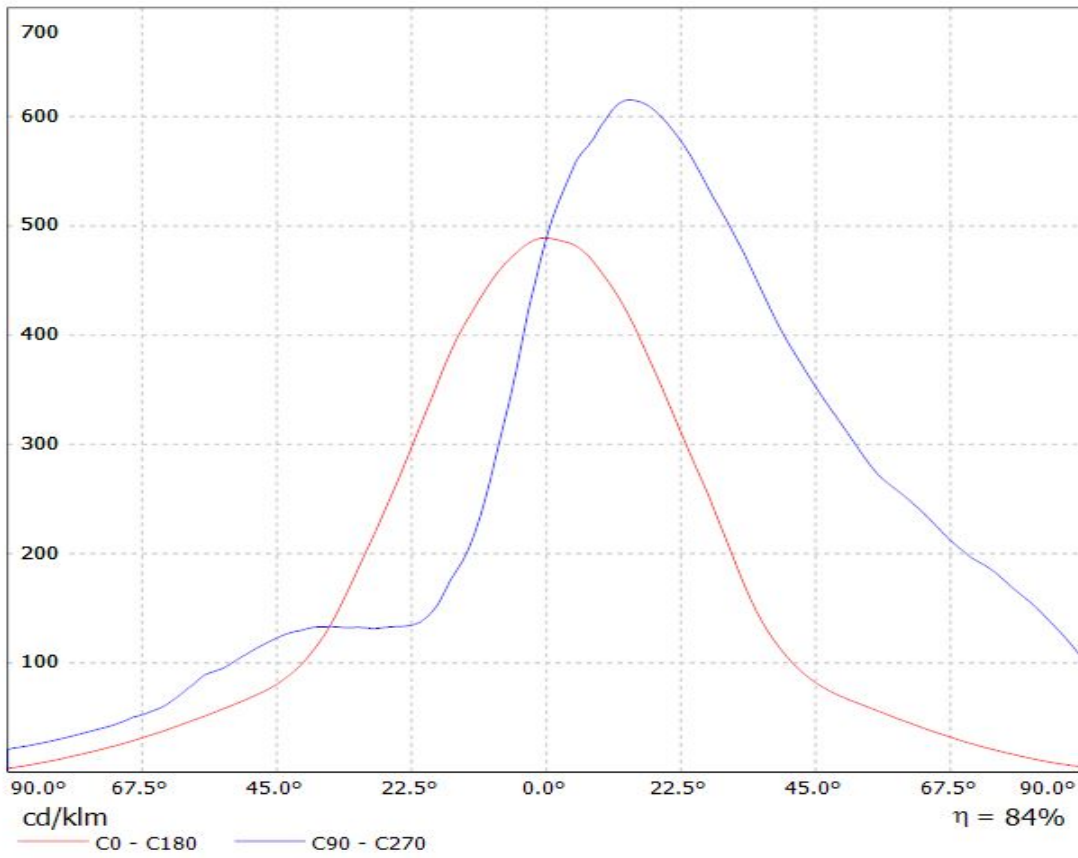
DRAWING TITLE
RONDA-family

This drawing is the property of LEDiL Oy. It may not be reproduced, copied or communicated without a written agreement with LEDiL Oy.

SIZE	PART NUMBER		
A3	-		
SCALE	1:1	WEIGHT	-
SHEET		3/3	

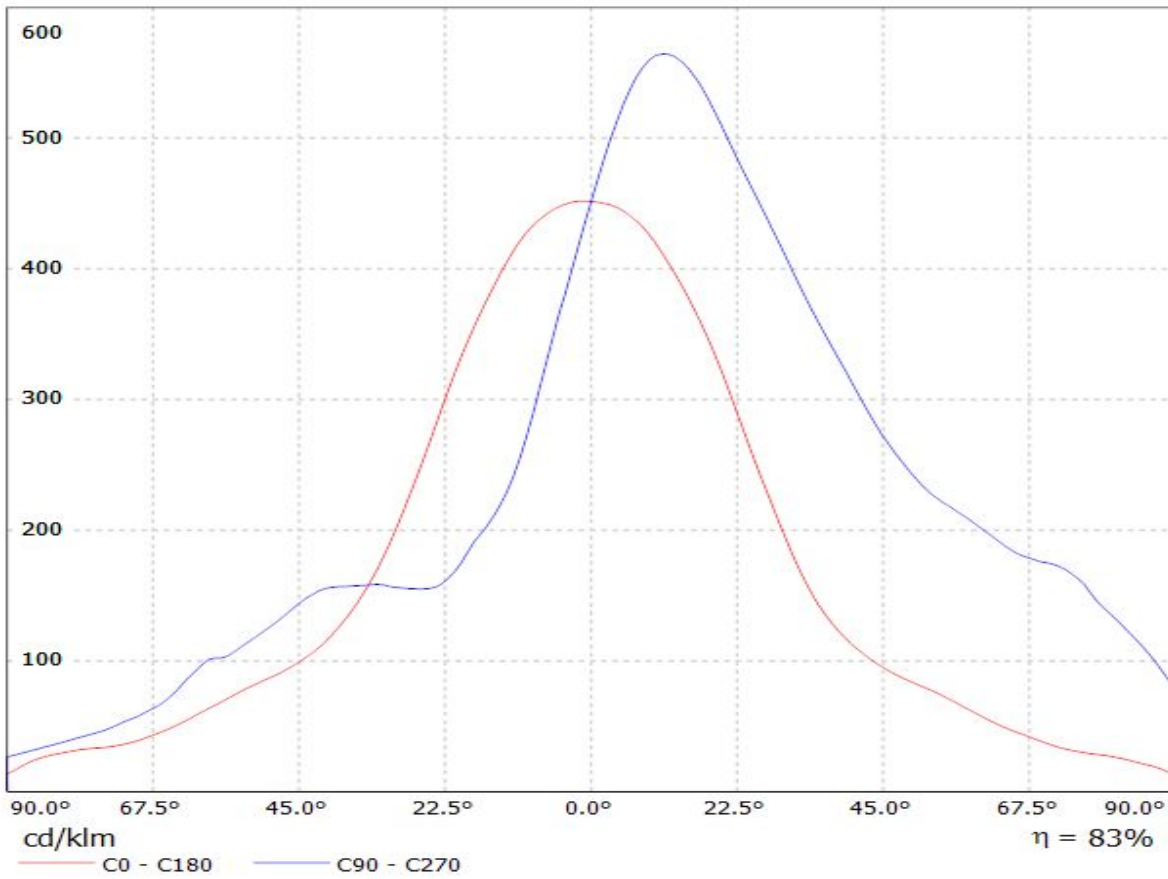
Luminaire: LEDiL Oy FN15380_RONDA-WAS_(V13_Gen7)+TE

Lamps: 1 x Bridgelux_V13_Gen7_(BXRE-30E2000-B_+TE_2213254-2+TE_2213194-1)_1295.55lm@250mA_P=8.30985W_I=0.25A

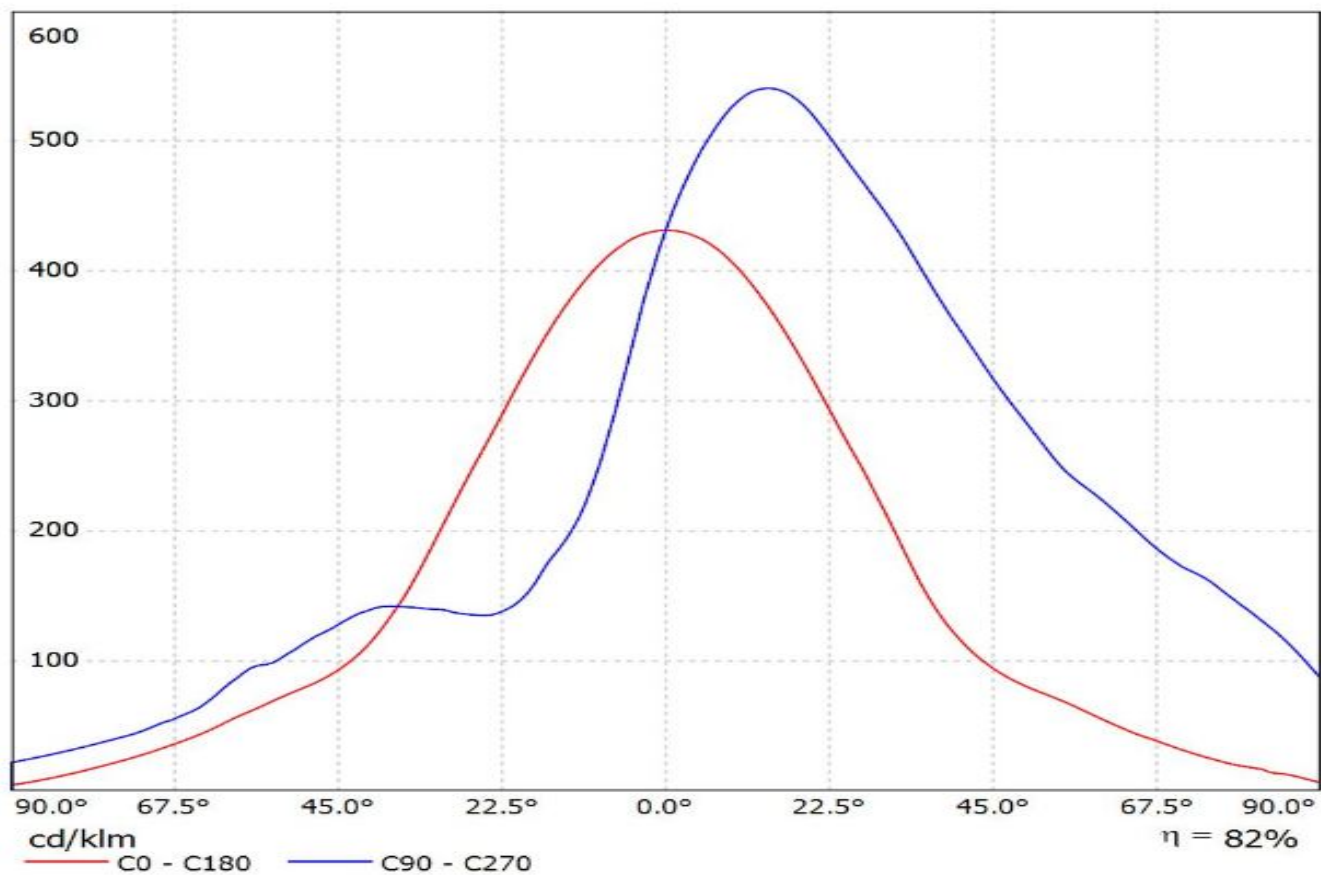


Luminaire: LEDiL Oy FN15380_RONDA-WAS_(NFDLJ130B+IDEAL)

Lamps: 1 x Nichia_NFDLJ130B_+50-2103NC_+50-2100AN_1422.52lm@250mA_CCT=4000K_P=8.91686W_I=0.25A

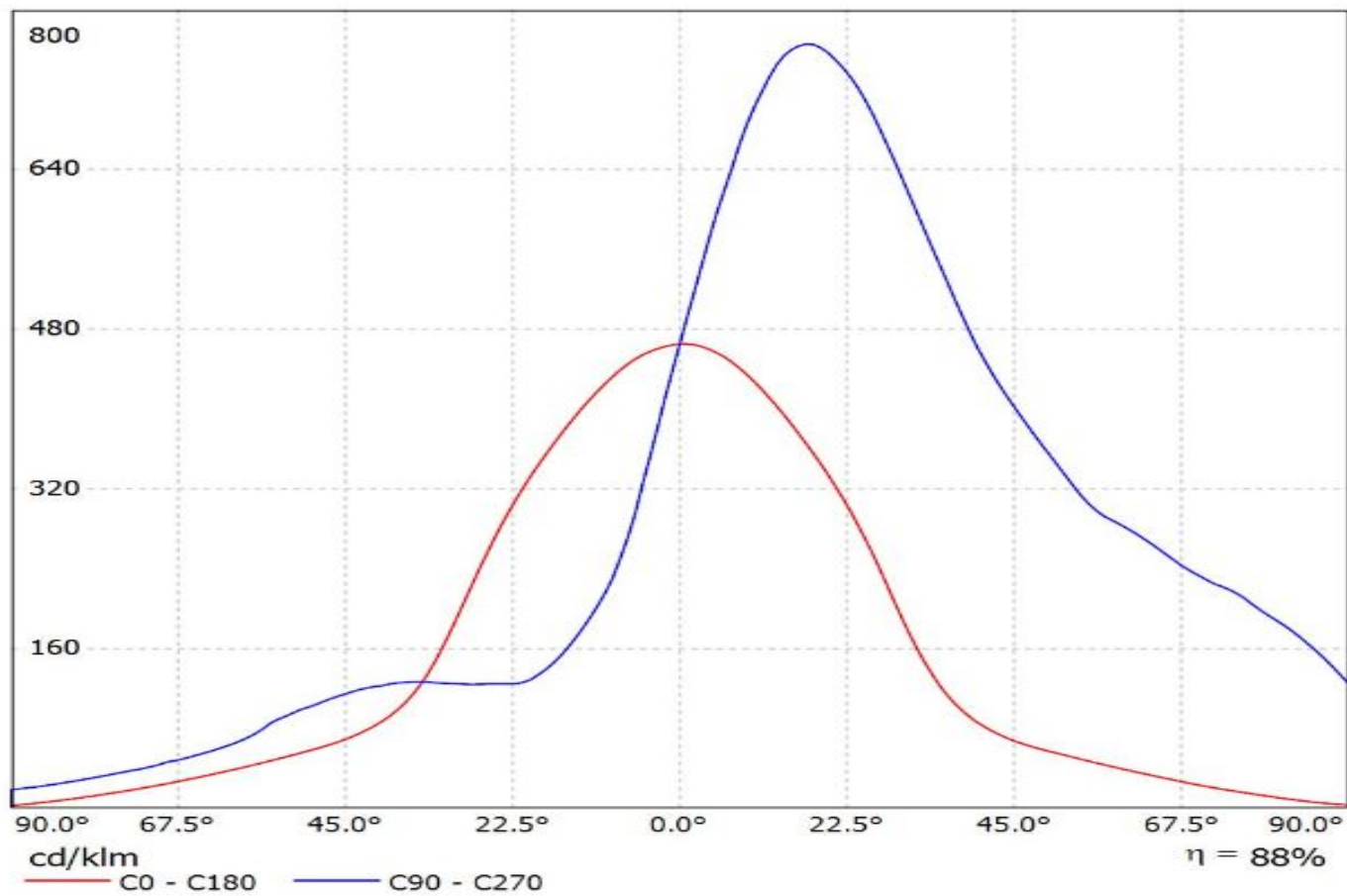


Luminaire: Ledil FN15380_RONDA-WAS (SLM_G5_LES_15_+TE)
Lamps: 1 x Philips_SLM_G5_LES_15_+TE_2213194-1_1277.72lm@250mA_P=8.208W_I=0.25A



Luminaire: Ledil FN15380_RONDA-WAS_(LC040C+TE)

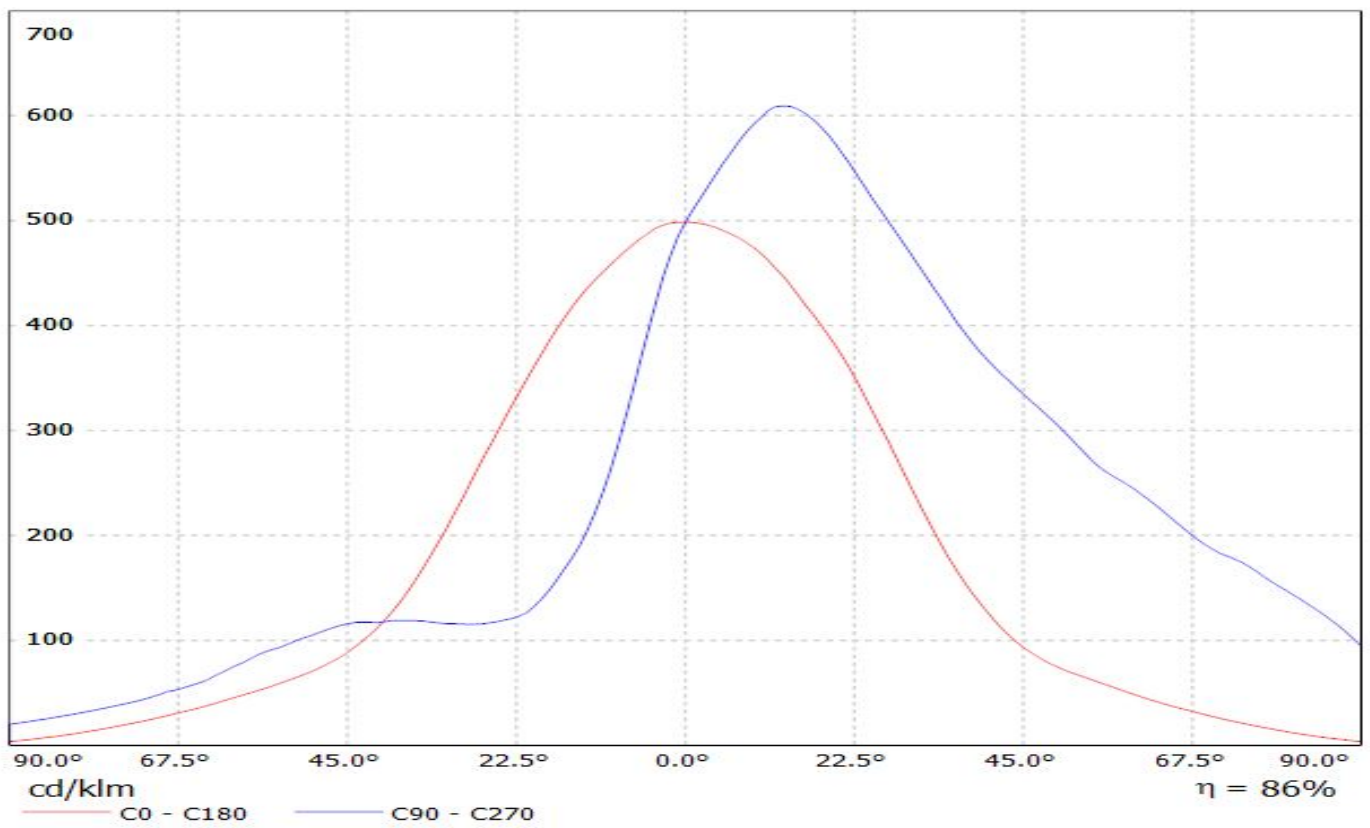
Lamps: 1 x Samsung_LC040C+_2213382-2+_2213194-1_1194.16lm@250mA_CCT=4000K_P=8.137W



Ledil FN15380_RONDA-WAS_(SEOUL_AC_Zhaga_COB) / LDC (Linear)

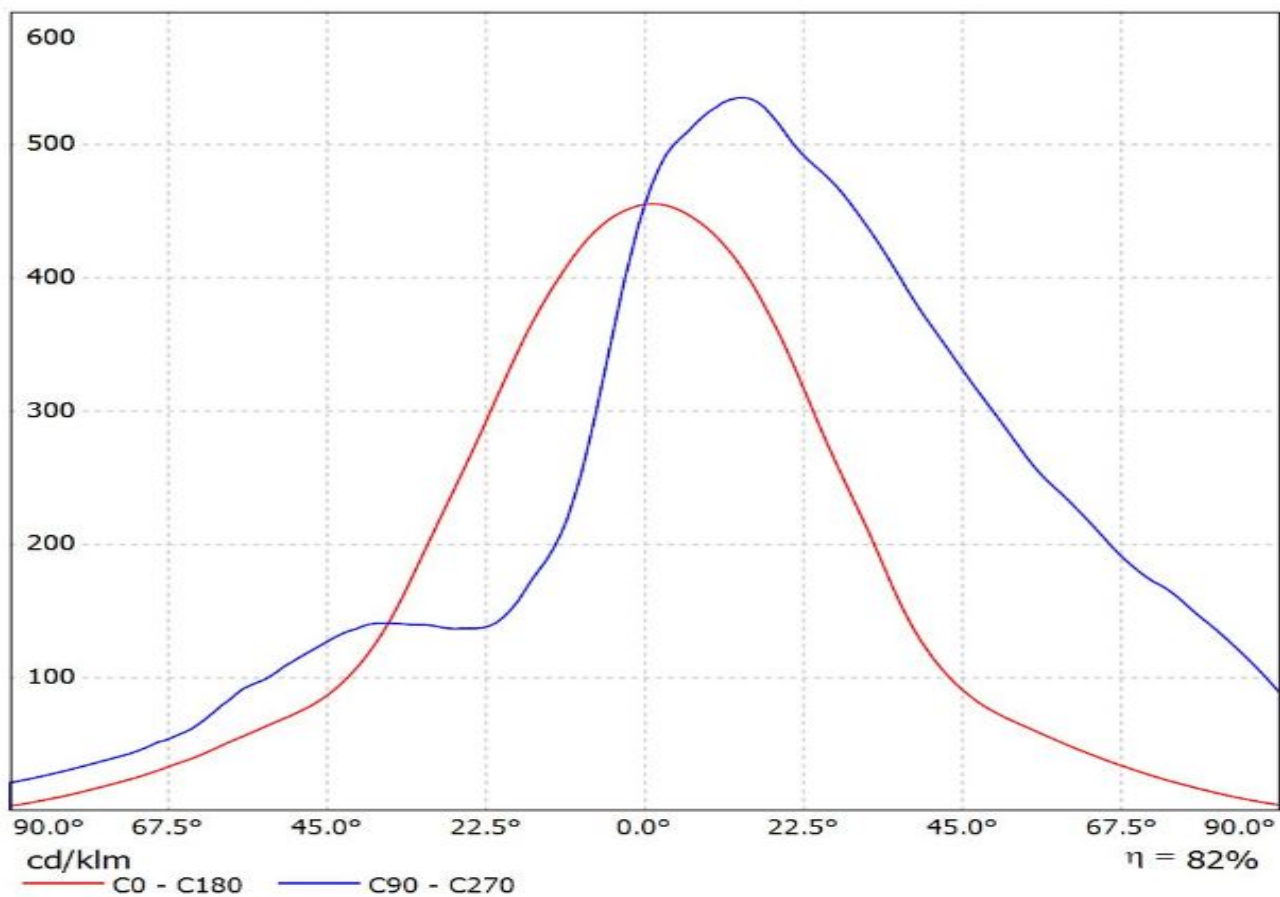
Luminaire: Ledil FN15380_RONDA-WAS_(SEOUL_AC_Zhaga_COB)

Lamps: 1 x SEOUL_AC_Zhaga_COB

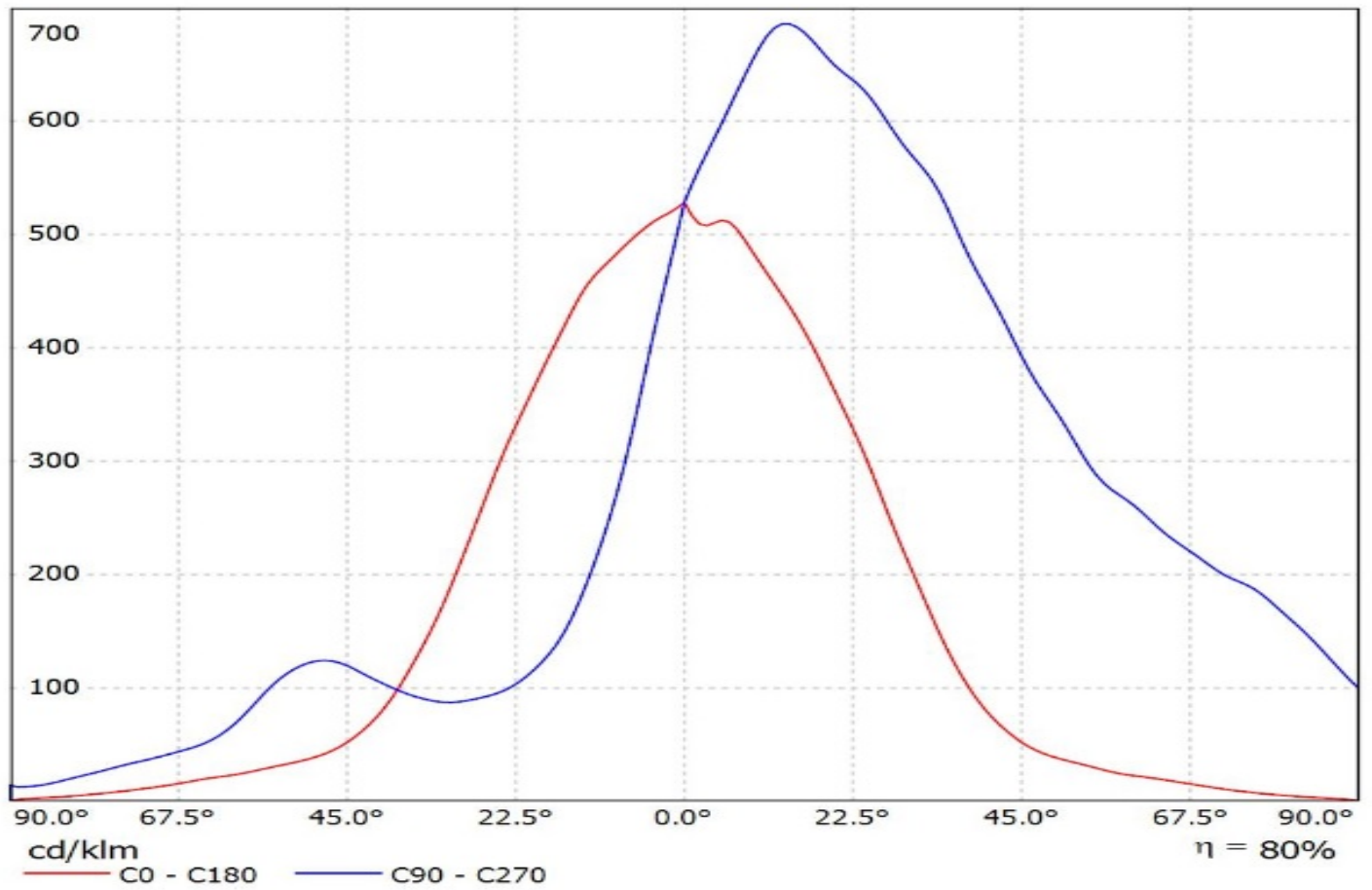


Luminaire: Ledil FN15380_RONDA-WAS_(MJT_30W_Les14,5)

Lamps: 1 x Seoul_MJT_30W_Les14,5mm_(SAWx1566A)_1328.6lm@250mA_P=8.24025W_I=0.25A

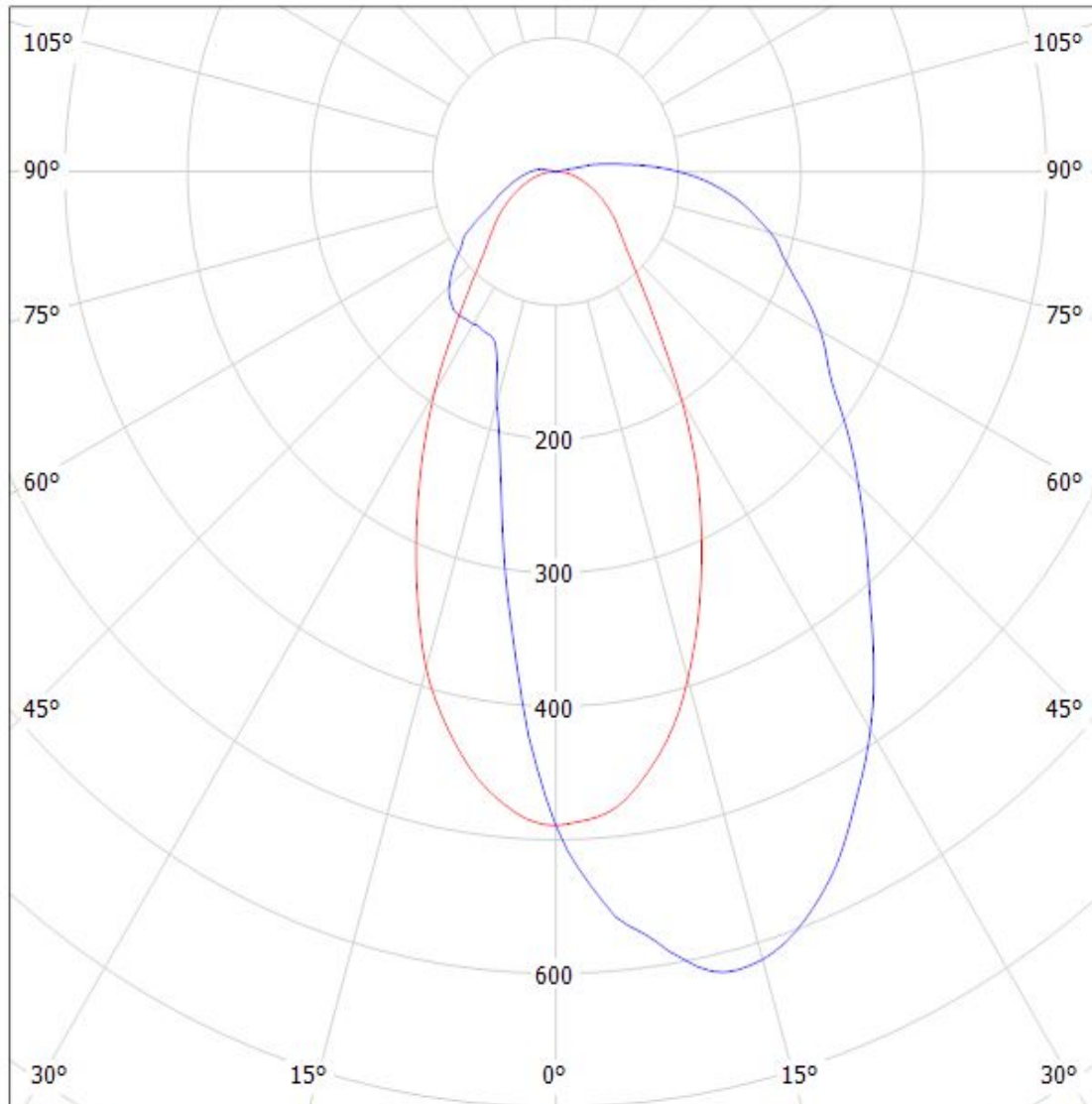


Luminaire: Ledil Oy FN15380_RONDA-WAS_(SLE_G6_LES15)_(2213254-2 + 2213194-1)_SIMULATED
Lamps: 1 x Tridonic SLE G6 LES15 + Tyco Electronics 2213254-2 + TE 2213194-1 Optic clip



Luminaire: LEDiL Oy FN15380_RONDA-WAS_(V13_Gen7)+TE

Lamps: 1 x Bridgelux_V13_Gen7_(BXRE-30E2000-B_+TE_2213254-2+TE_2213194-1)_1295.55lm@250mA_P=8.30985W_I=0.25A



cd/klm

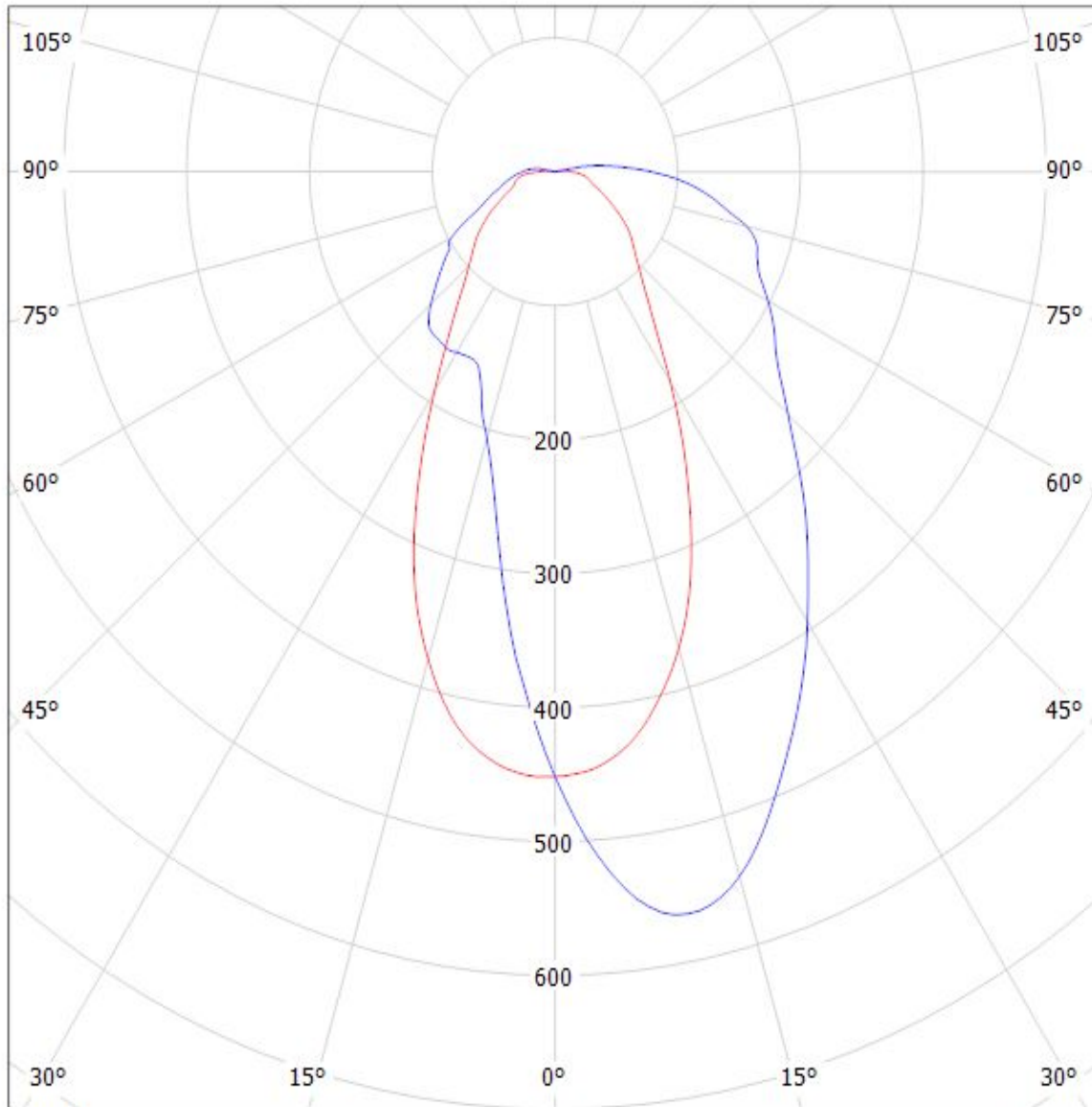
— C0 - C180

— C90 - C270

$\eta = 84\%$

Luminaire: LEDiL Oy FN15380_RONDA-WAS_(NFDLJ130B+IDEAL)

Lamps: 1 x Nichia_NFDLJ130B_+50-2103NC_+50-2100AN_1422.52lm@250mA_CCT=4000K_P=8.91686W_I=0.25A



cd/klm

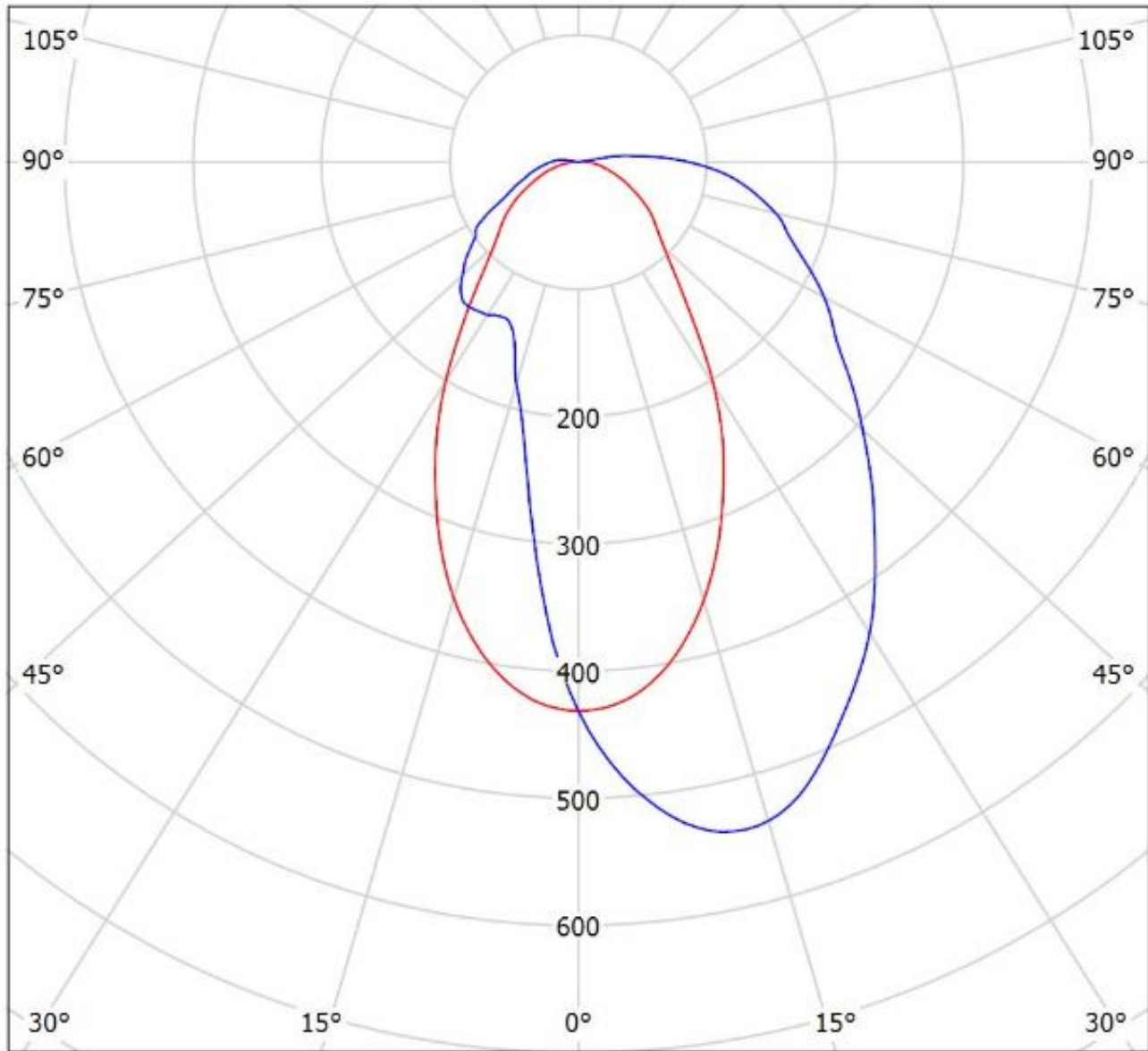
— C0 - C180

— C90 - C270

$\eta = 83\%$

Luminaire: Ledil FN15380_RONDA-WAS_(SLM_G5_LES_15_+TE)

Lamps: 1 x Philips_SLM_G5_LES_15_+TE_2213194-1_1277.72lm@250mA_P=8.208W_I=0.25A



cd/klm

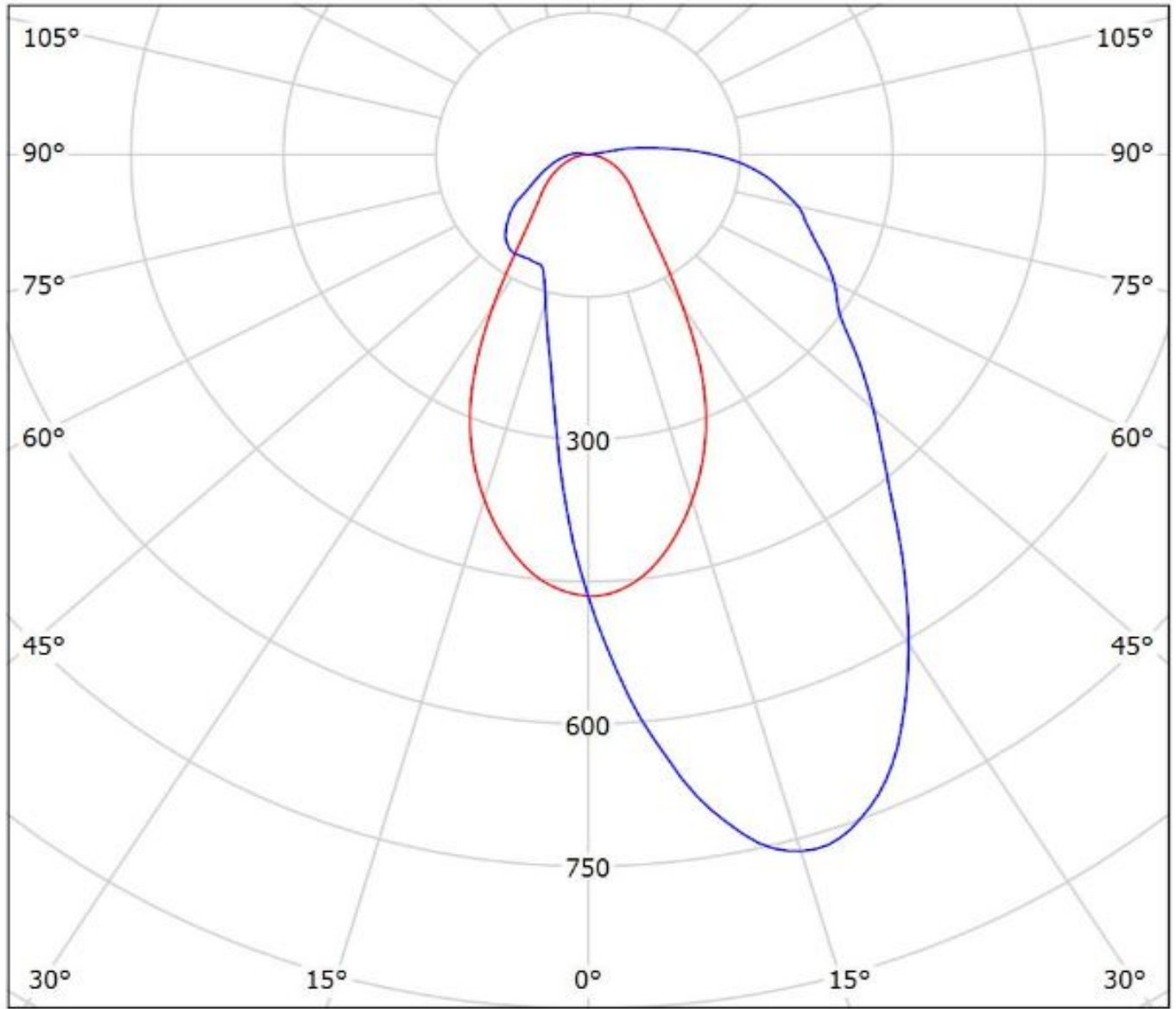
$\eta = 82\%$

— C0 - C180

— C90 - C270

Luminaire: Ledil FN15380_RONDA-WAS_(LC040C+TE)

Lamps: 1 x Samsung_LC040C+_2213382-2+_2213194-1_1194.16lm@250mA_CCT=4000K_P=8.137W



cd/klm

— C0 - C180

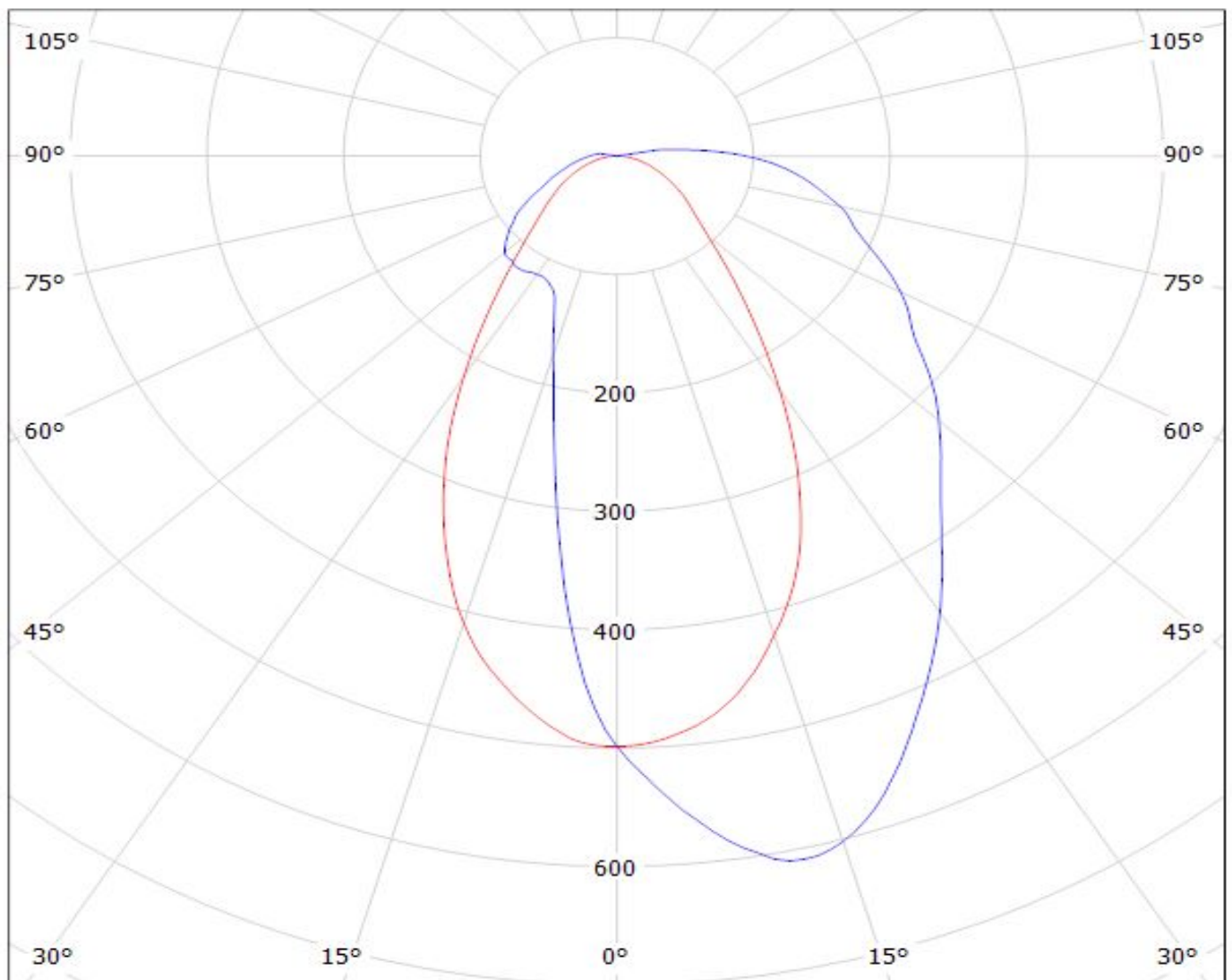
— C90 - C270

$\eta = 88\%$

Ledil FN15380_RONDA-WAS_(SEOUL_AC_Zhaga_COB) / LDC (Polar)

Luminaire: Ledil FN15380_RONDA-WAS_(SEOUL_AC_Zhaga_COB)

Lamps: 1 x SEOUL_AC_Zhaga_COB



cd/klm

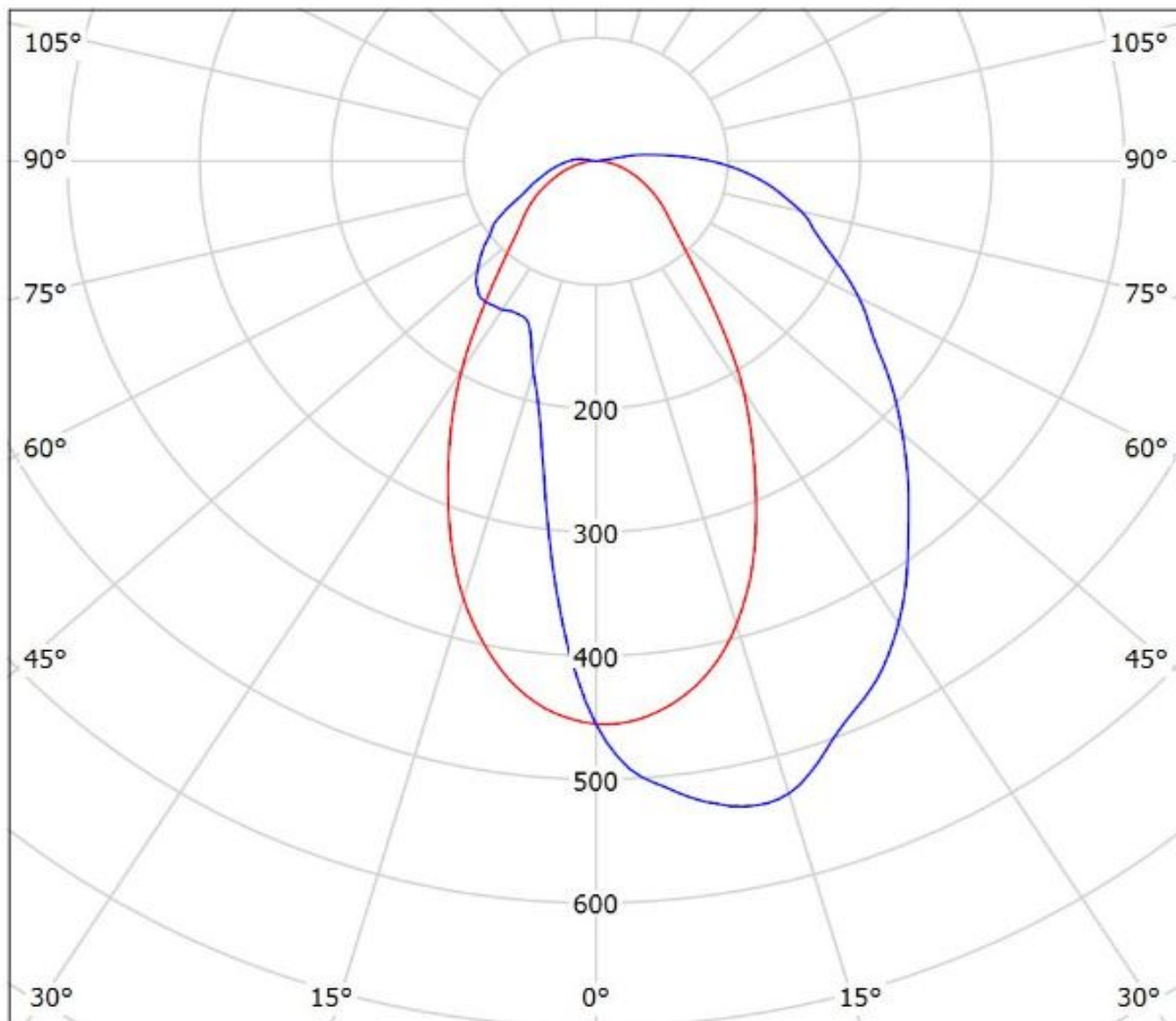
$\eta = 86\%$

— C0 - C180

— C90 - C270

Luminaire: Ledil FN15380_RONDA-WAS_(MJT_30W_Les14,5)

Lamps: 1 x Seoul_MJT_30W_Les14,5mm_(SAWx1566A)_1328.6lm@250mA_P=8.24025W_I=0.25A

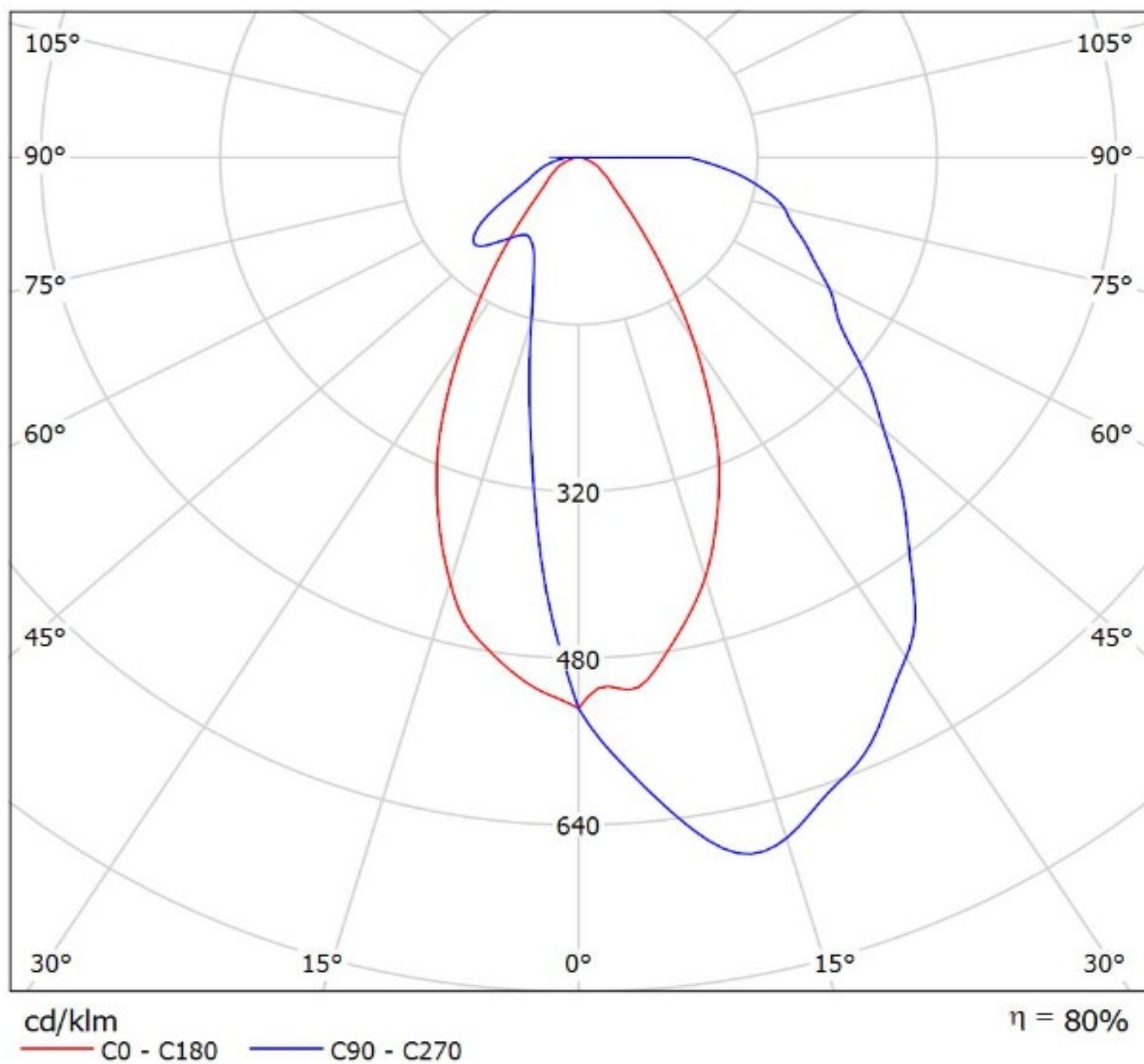


cd/klm

— C0 - C180 — C90 - C270

η = 82%

Luminaire: Ledil Oy FN15380_RONDA-WAS_(SLE_G6_LES15)_(2213254-2_+ 2213194-1)_SIMULATED
Lamps: 1 x Tridonic SLE G6 LES15 + Tyco Electronics 2213254-2 + TE 2213194-1 Optic clip



NOTE: The typical divergence will be changed by different color, chip size and chip position tolerance. The typical total divergence is the full angle measured where the luminous intensity is half of the peak value.

GENERAL INFORMATION

- Product series especially designed & optimized for series of LEDs.
- Special care taken to make light distribution as uniform as possible.

Note! Due to use of high power COB's with this product, special attention to proper thermal design is highly recommended. LEDiL has no liability for direct, indirect or consecutive damages arising from the LEDiL products being used outside of the recommended temperature range.