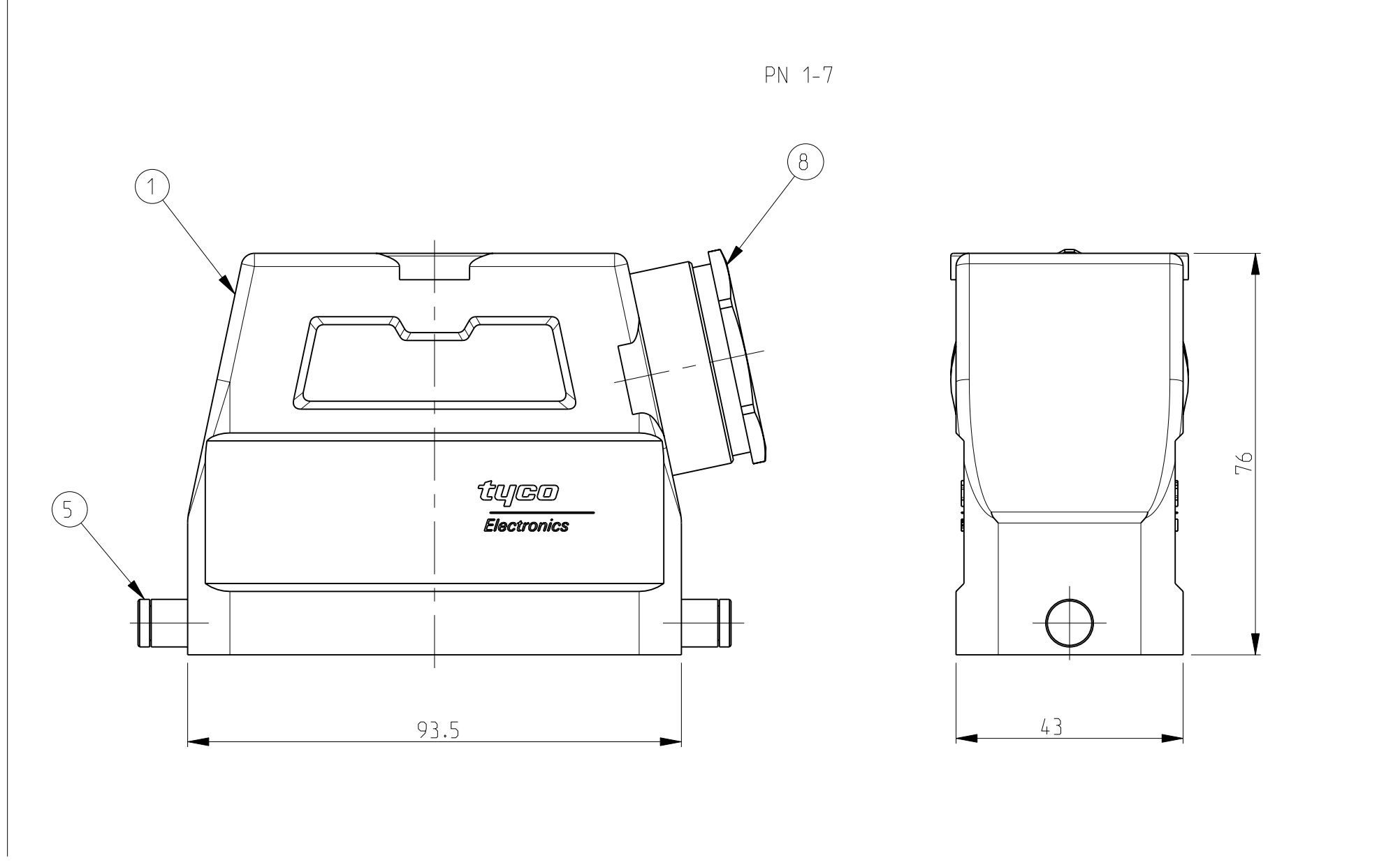
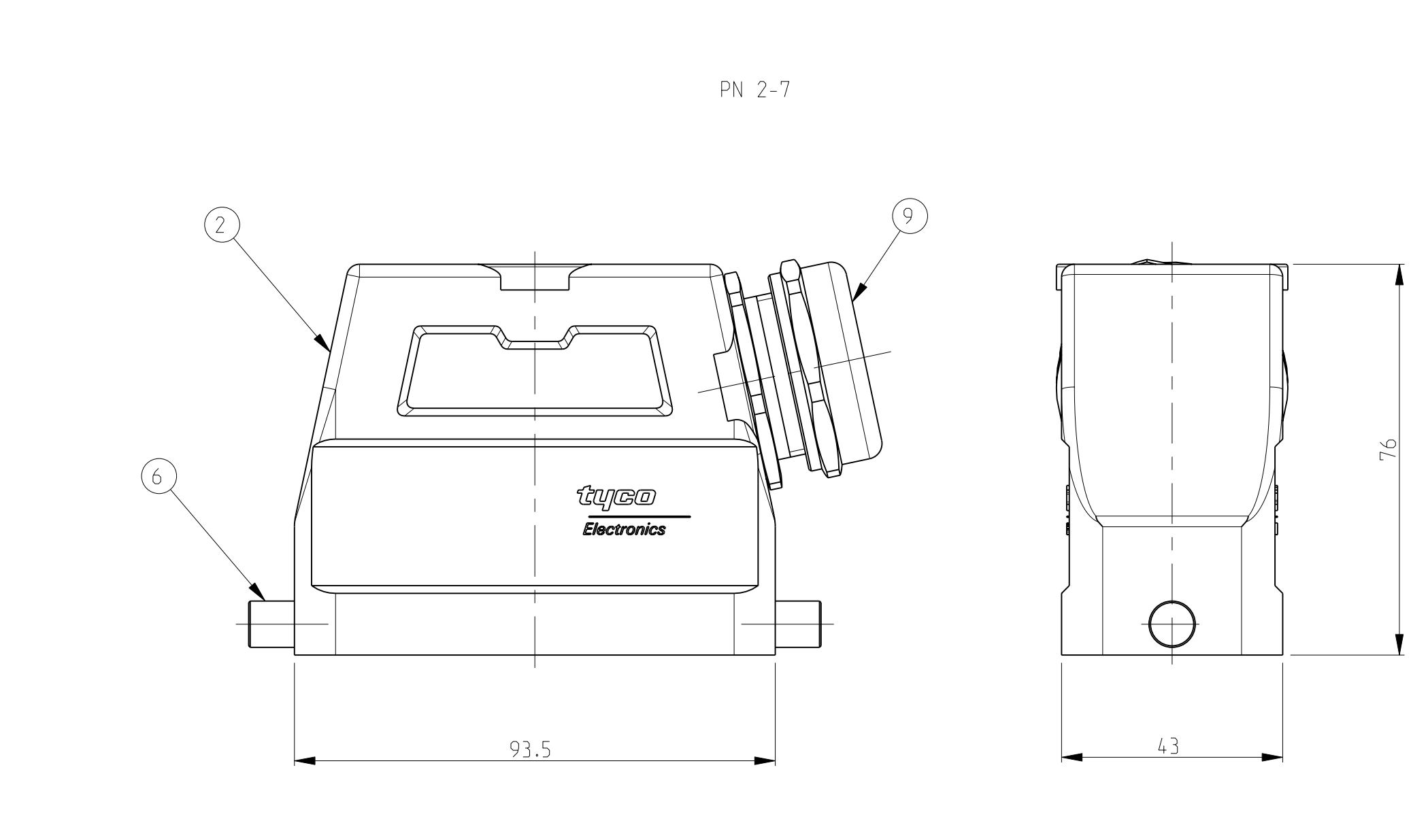
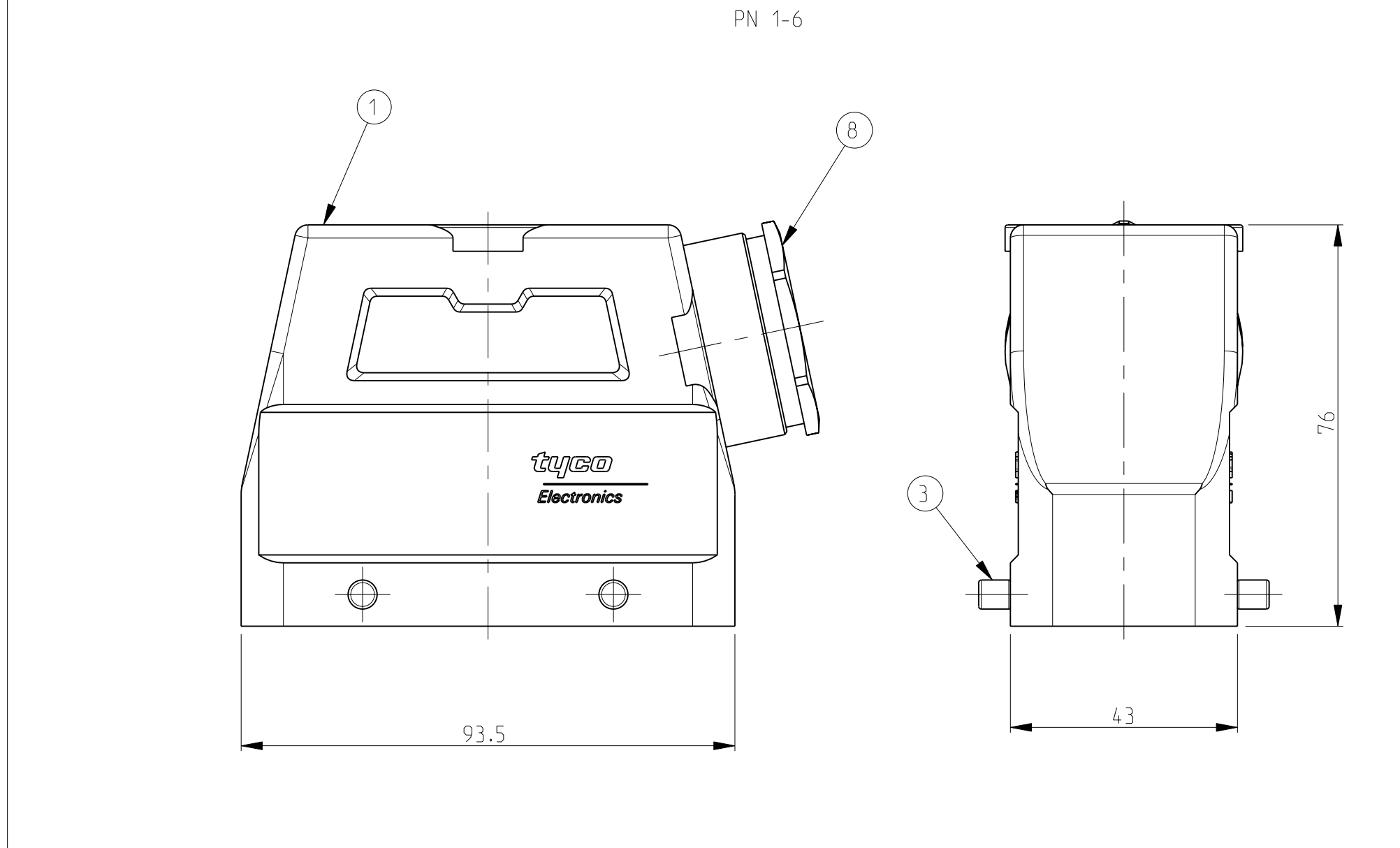
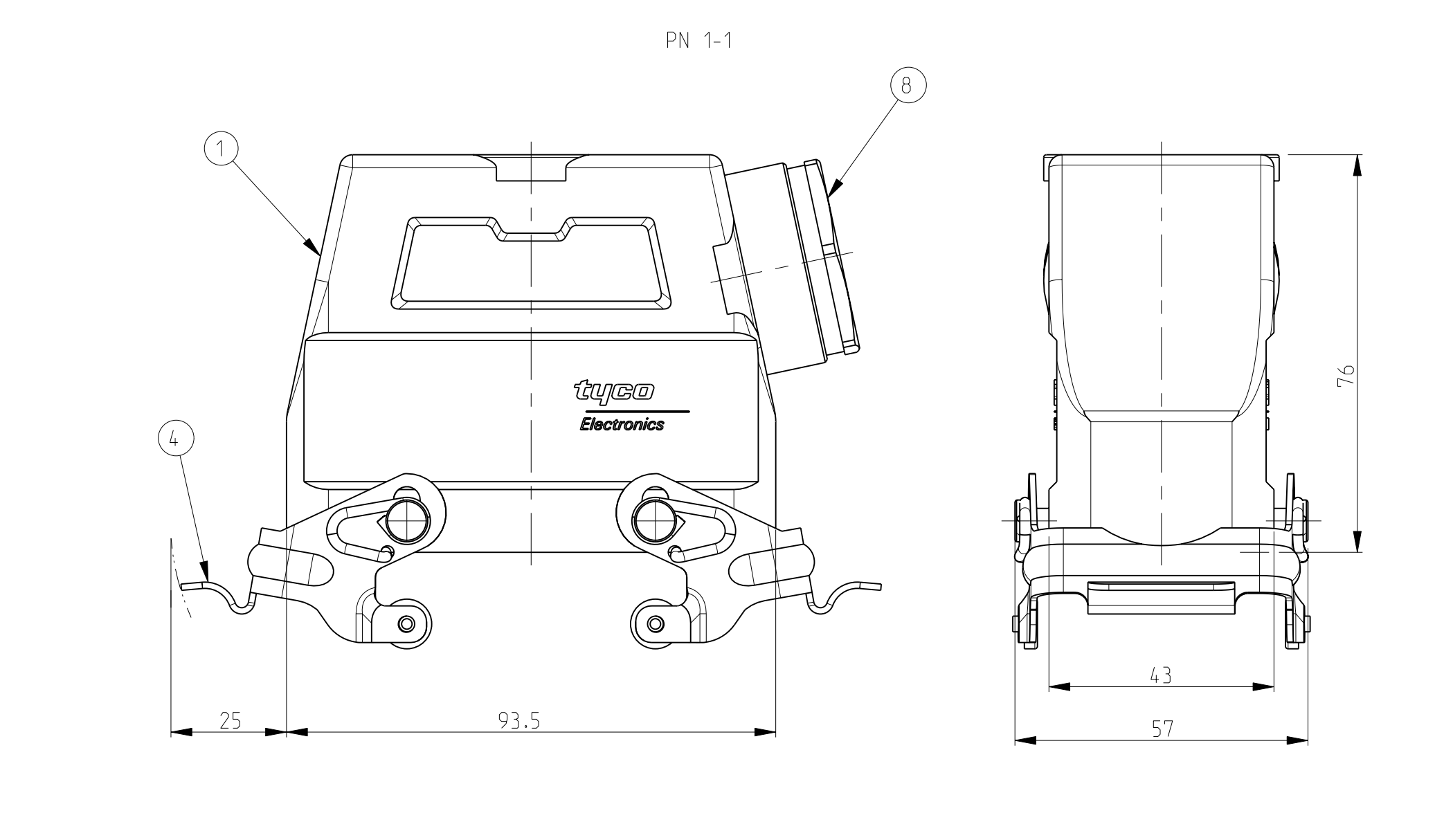
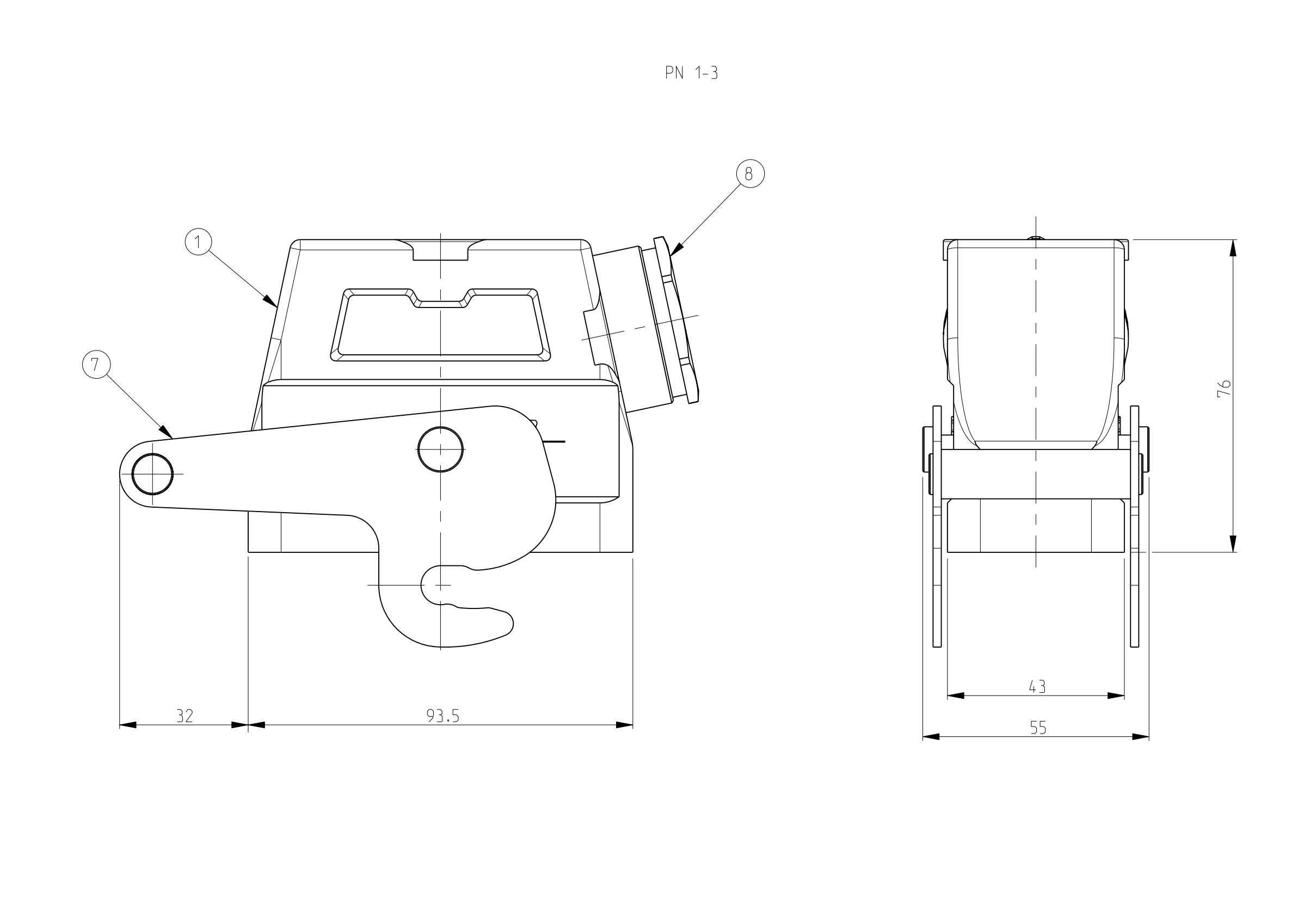
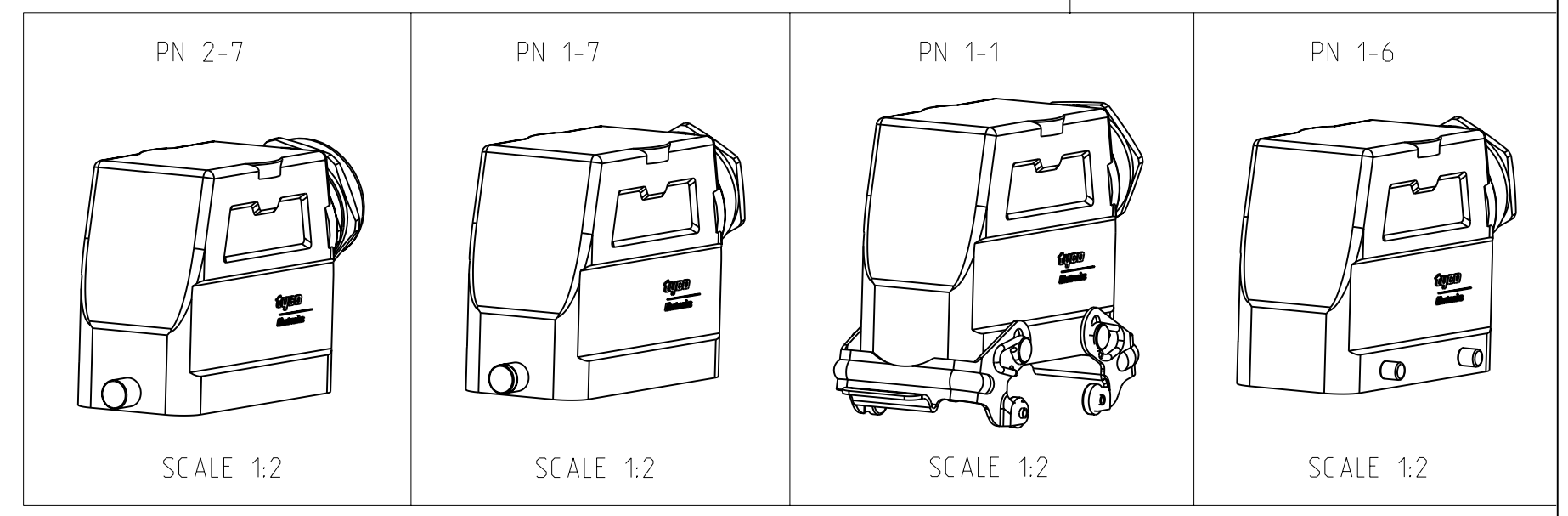
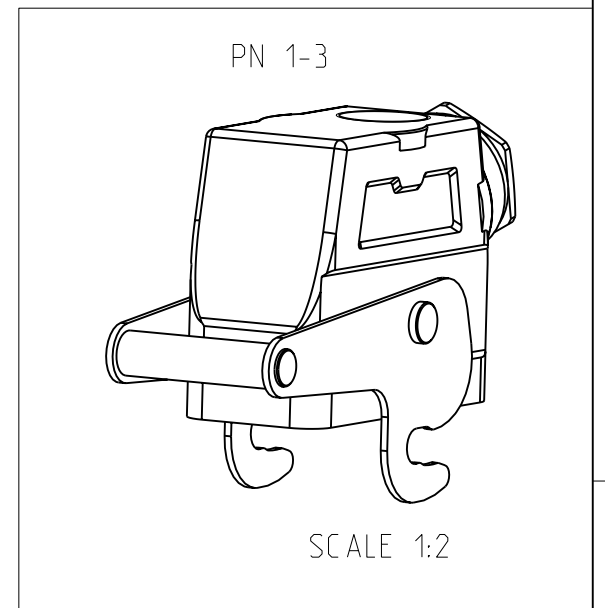


LOC	DIST	REVISIONS			
P	LTR	DESCRIPTION	DATE	DWN	APVD
A1	-	Released as per ECR-07-012890	11-07-07	SK	TS



- NOTES
- 1 Material: Housing: aluminium diecasting alloy
 - 2 Surface:- powder varnish-grey
Varnish black
 - 3 Varnish on the inside not necessarily
 - 4 Packaging quantity: 5 pieces



QTY	ITEM NO	DESCRIPTION	MATERIAL	SURFACE	COLOR	ITEM NO	NOTES
1	1	Gland fitting	Brass	Nickel plated	Blue	9	PG29
1	1	Gland round	Brass	Nickel plated	Blue	8	PG29
1	1	Central clip	Steel	Zinc plated	Blue	7	-
2	2	Clip bolt	V2A/Steel	-	-	6	-
2	2	Clip bolt	Steel	Zinc plated	Blue	5	-
2	2	Side clip	Steel	Zinc plated	Blue	4	-
4	4	Clip bolt	Steel	Zinc plated	Blue	3	-
1	1	HD-K Hood	Aluminium	Aluminium oxide	Black	2	-
1	1	HD Hood	Aluminium	-	Grey	1	-

ORDERING TEXT

HD.40.STS-1.29

HD.40.STS-VS-1.29

HD.40.STS-GR-1.29

HD-K40.STS-GR-1.29

HD-Z.40.STS-ZB.1.29

DIMENSIONS: mm		TOLERANCES UNLESS OTHERWISE SPECIFIED:		DWN: Schneider 16.07.03		NAME: HOOD	
0 DIM 140-50		0 DIM 140-50		CHK: Schweiger 16.07.03		PRODUCT SPEC: -	
1 PLC ±		1 PLC ±		APVD: -		APPLICATION SPEC: -	
2 PLC ±		2 PLC ±		MATERIAL: -		WEIGHT: -	
3 PLC ±		3 PLC ±		FINISH: -		CUSTOMER DRAW ING: -	
4 PLC ±		4 PLC ±		SCALE: 1:1		SHEET 1 OF 1	
ANGLES ±		ANGLES ±		DRAWING NO: A1 00779 C=1102565		REV: A2	
FINISH: -		FINISH: -		RESTRICTED TO: -		TYCO ELECTRONICS AMP GMBH	
MATERIAL: -		MATERIAL: -		0-53819, Neunkirchen, Germany			