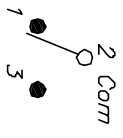
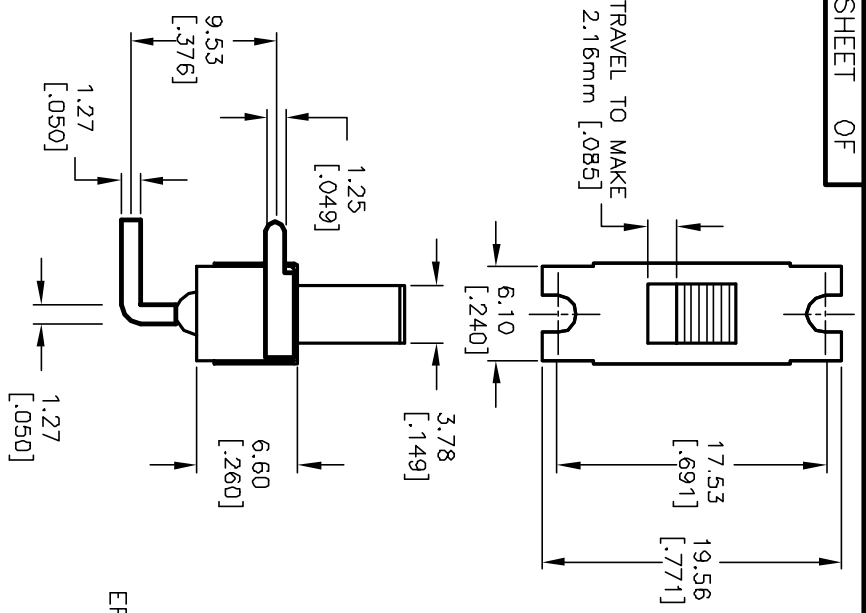
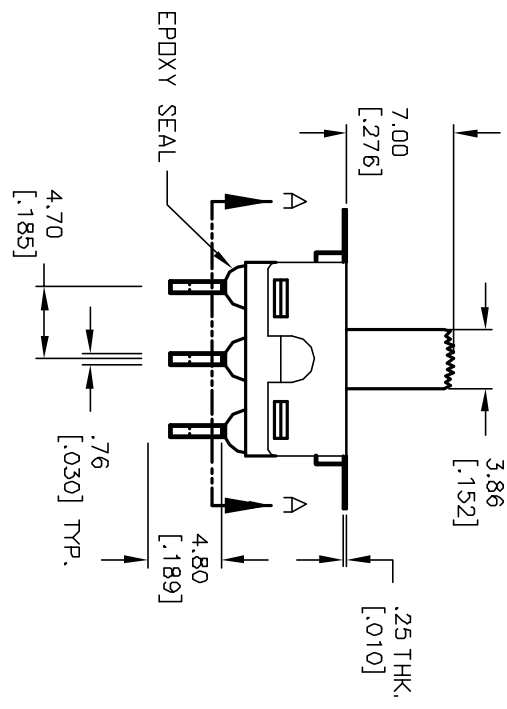


TRAVEL TO MAKE
2.16mm [.085]



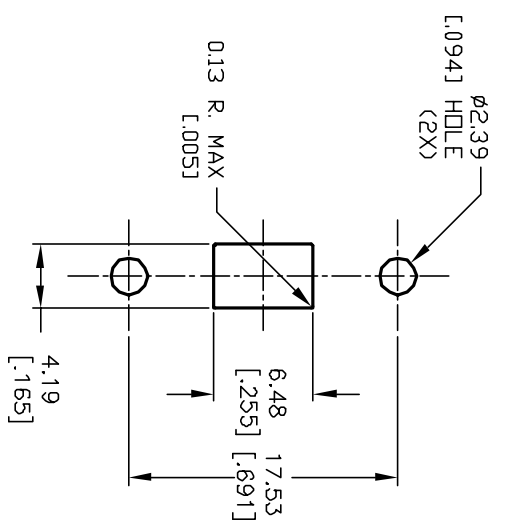
CIRCUIT, SPDT

| SWITCH FUNCTION | | |
|-------------------------------------|--------------------------|--------------------------|
| PDS. 1 | PDS. 2 | PDS. 3 |
| <input checked="" type="checkbox"/> | <input type="checkbox"/> | <input type="checkbox"/> |
| DN | NONE | DN |
| 2-1 | OPEN | 2-3 |

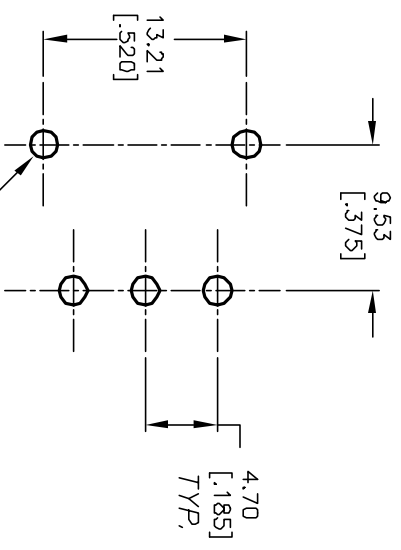


NOTES:

1. ALL DIMENSIONS IN MM [INCH]
2. GENERAL TOLERANCE: X.X=±0.4
X.XX=±0.25
3. TERM NOS. FOR REF. ONLY
4. RATING: 5A @120VAC or 28VDC (Resistive Load)
2A @250VAC
5. CONTACT MATERIAL: Copper Alloy w/Silver Plating
6. INSULATION RESISTANCE: 1000 Mega Ohms min.
7. DIELECTRIC STRENGTH: 1000V RMS @SEA LEVEL.
8. OPERATING TEMPERATURE: -30°C TO 85°C



RECOMMENDED PANEL CUTOUT



RECOMMENDED P.C.B. LAYOUT

E-SWITCH®

| | | | | | | | | | |
|--|---------|-------------------------|----------|------|-----------------------|----------|-----|---------|-----|
| REV. | ECN No. | DESCRIPTION | DATE | CHKD | SCALE | DATE | DR | DWG | REV |
| A | 11734 | RELEASED FOR PRODUCTION | 10/12/01 | CJB | 2:1 | 10/12/01 | CJB | TS11036 | A |
| THE INFORMATION CONTAINED IN THIS DOCUMENT IS PROPRIETARY TO E-SWITCH AND IS NOT TO BE COPIED OR TRANSFERRED | | | | | | | | | |
| TITLE | | | | | 500 SSP-1 S2 M6 Q E B | | | | |