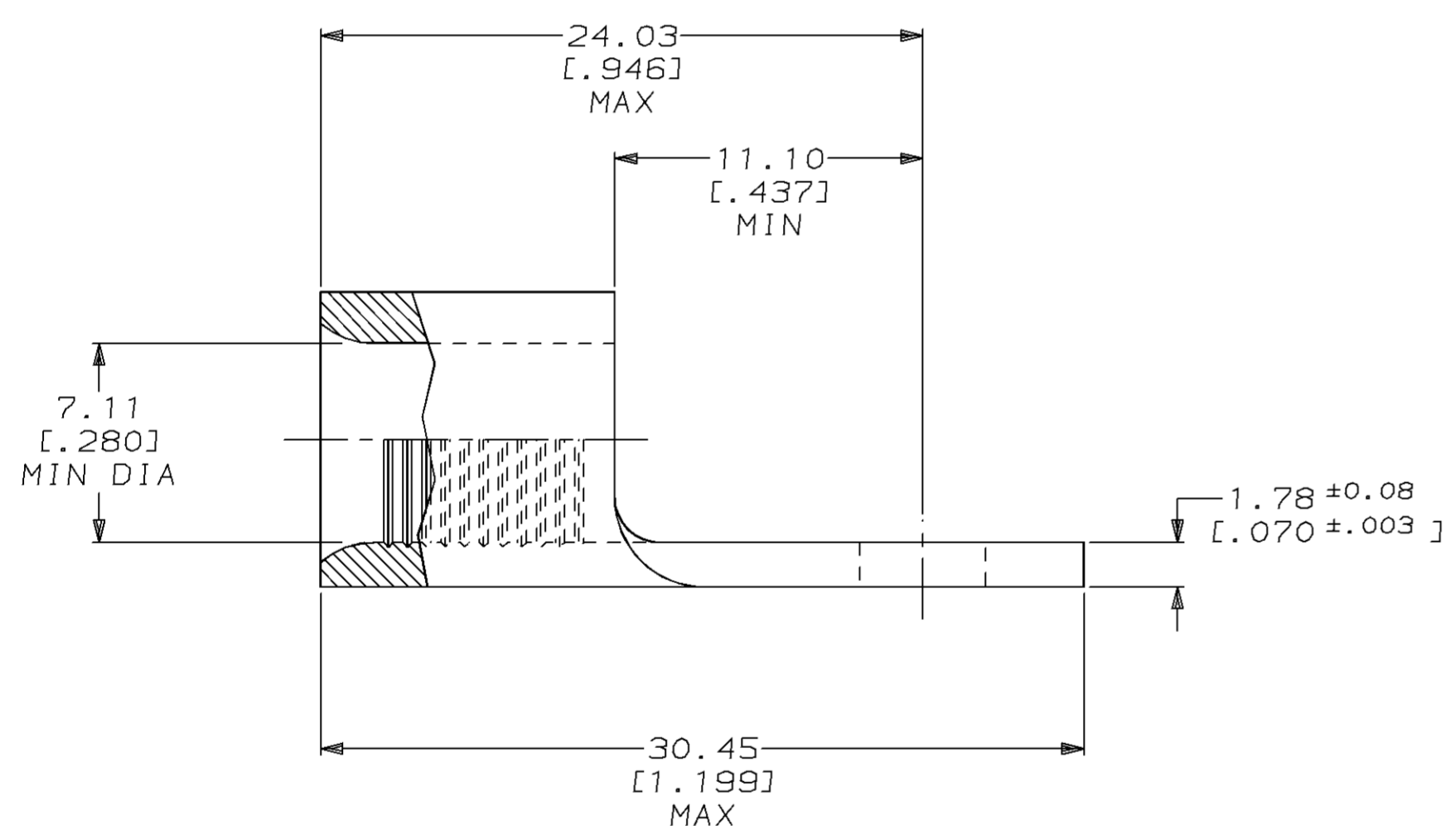
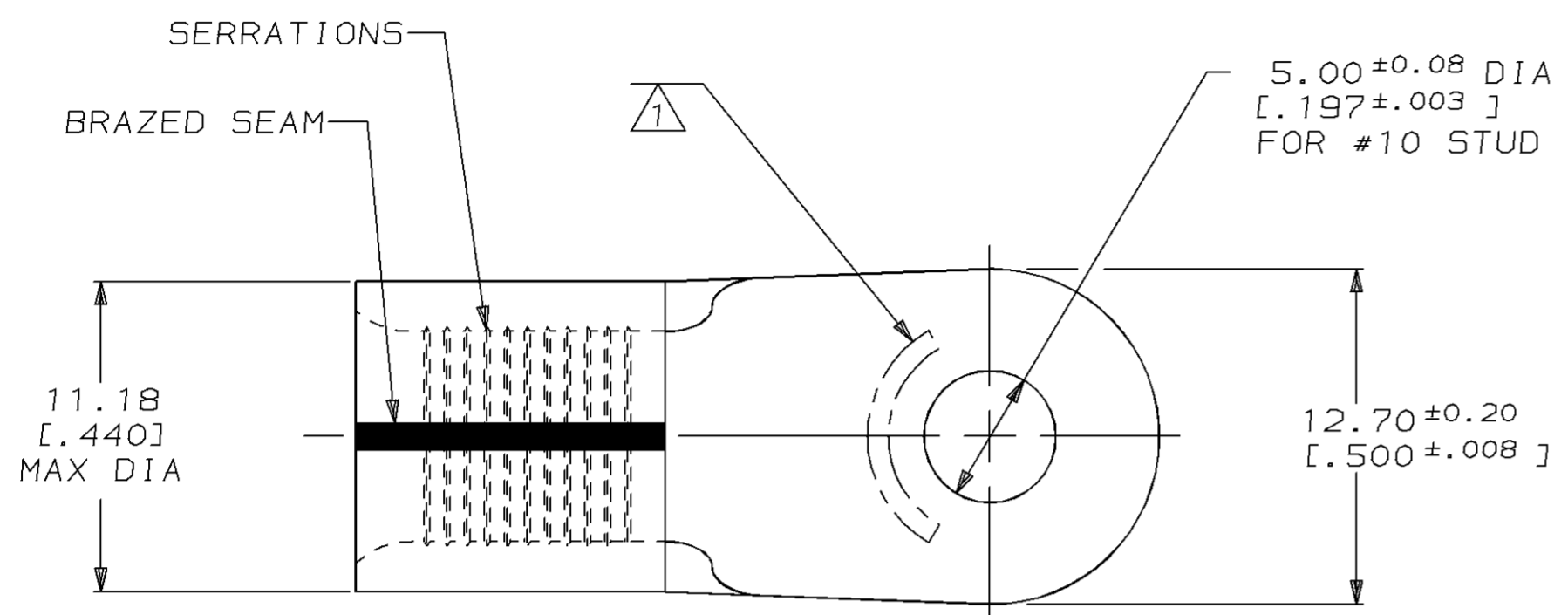


THIS DRAWING IS UNPUBLISHED. RELEASED FOR PUBLICATION, 19 .
 © COPYRIGHT 19 BY AMP INCORPORATED. ALL INTERNATIONAL RIGHTS RESERVED.

LOC	DIST	P	F	REVISIONS				
G	14			ZONE	LTR	DESCRIPTION	DATE	APPD
				F		REVISED PER OL20-0020-97	06MAR97	OKS MJ5

METRIC
 DIMENSIONS LISTED IN mm [INCHES]

AMP WIRE RANGE	UL E13288 Listed
4 AWG SOLID OR STRANDED	4 AWG STRANDED P/N'S 33114 & 2-33114-1 ONLY
NSI LR7189 Certified	MILITARY P/N AND CLASS
4 AWG SOLID OR STRANDED P/N'S 33114 & 2-33114-1 ONLY	MS 20659-144 CLASS 2 P/N 33114 ONLY



- 1 STAMP AMP 4W* APPROX AS SHOWN
- 2 TIN PLATE 0.00254 [.000100] MIN THK PER MIL-T-10727
- 3 NICKEL PLATE 0.00762 [.000300] MIN THK PER QQ-N-290

OBsolete	-322	LOOSE PIECE, TRAY	2	170°C MAX	2-33114-1
OBsolete	-	LOOSE PIECE	3	343°C MAX	33114-1
	-	LOOSE PIECE	2	170°C MAX	33114
	QTY	PACKAGE TYPE	FINISH	MAX OPERATING TEMPERATURE	PART NO

AMP INCORPORATED
CUSTOMER SERVICE SYSTEMS

FOR ADDITIONAL PRODUCT INFORMATION OR COPIES OF DRAWINGS AND TECHNICAL DOCUMENTS	PRODUCT INFORMATION CENTER 1-800-522-6752
FOR APPLICATION TOOLING INFORMATION	TOOLING ASSISTANCE CENTER 1-800-722-1111
FOR ORDER ENTRY	1-800-526-5142

MAX RECOMMENDED OPERATING TEMPERATURE:
 SEE TABLE

VOLTAGE RATING:
 NOT APPLICABLE

WIRE CROSS SECTIONAL AREA RANGE:
 16.8-26.7mm² [33,100-52,600] CIR MILS
 SOLID OR STRANDED

THIS DRAWING IS A CONTROLLED DOCUMENT FOR AMP INCORPORATED. IT IS SUBJECT TO CHANGE AND THE CONTROLLING ENGINEERING ORGANIZATION SHOULD BE CONTACTED FOR THE LATEST REVISION.

DO NOT SCALE PRINT. UNLESS SPECIFIED DIMENSIONS IN mm [INCHES] TOLERANCES ON:
 2 PLC DEC ± 0.20 [.008]
 3 PLC DEC ± -
 ANGLES ± -

MATERIAL
 COPPER PER ASTM B-152 ANNEALED

FINISH
 SEE TABLE

DR 3-29-93 TA BRINKMAN
 CHK 3-29-93 DA PATTERSON
 APPD 3-29-93 DE MILLER
 APPD 3-29-93 JL MECKLEY
 PRODUCT SPEC -
 APPLICATION SPEC -
 WEIGHT -

AMP AMP Incorporated
 Harrisburg, PA 17105-3608

NAME
TERMINAL, RING TONGUE, SOLISTRAND™

SIZE CAGE CODE DRAWING NO
 C 00779 C-33114

SCALE 4:1 SHEET 1 OF 1