

**Contact assignment:**

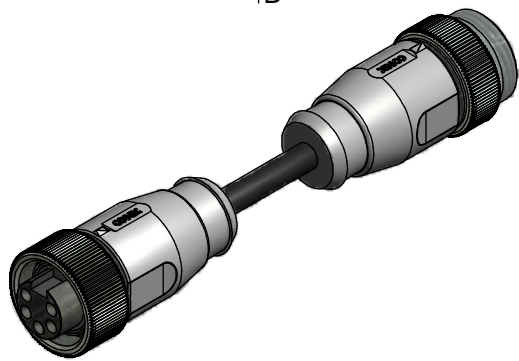
- 1) black
- 2) blue
- PE) green-yellow
- 4) brown
- 5) white

**Technical specification:**

|  |  |
|--|--|
| Rated voltage:<br>IEC 60664-1          | 300 V  |
| Overvoltage category:<br>IEC 60664-1   | 2  |
| Overvoltage:<br>IEC 60664-1            | 2,7 kV   |
| Current rating:<br>IEC 60512-3 at 40°C | 0,75mm <sup>2</sup> 1,5mm <sup>2</sup><br>8 A 10 A |
| Insulation resistance:<br>IEC 60512    | >=100 MΩ   |
| Pollution degree:<br>IEC 60664-1       | 3/2  |
| Degree of protection:<br>IEC 60529     | IP 68, in mated condition                          |
| Temperature range:<br>IEC 60664-1      | -30°C ... +80°C                                    |
| Mating cycles:<br>IEC 60512-9a         | >=100  |
| Termination:                           | crimped  |

**Materials:**

|                         |                     |
|-------------------------|---------------------|
| Contact:                | CuZn                |
| Contact plating:        | Nickel, gold plated |
| Contact carrier:        | TPU, UL 94          |
| Coupling nut/<br>screw: | CuZn, nickel plated |
| Moulding body:          | TPU, UL 94, grey    |



| Part no: | Description:                               | Length L: | Cable:  |
|----------|--|-----------|---|
| 41-01229 | SAL - 7/8 - RK4PE - RS4PE - 0,6 / K1       | 0,6m      | TPU, UL 20549,<br>black, 5x0,75mm <sup>2</sup><br>Cable: 781-K17500 |
| 41-01230 | SAL - 7/8 - RK4PE - RS4PE - 1 / K1         | 1m        |   |
| 41-01231 | SAL - 7/8 - RK4PE - RS4PE - 1,5 / K1       | 1,5m      |   |
| 41-01232 | SAL - 7/8 - RK4PE - RS4PE - 2 / K1         | 2m        |   |
| 41-xxxxx | SAL - 7/8 - RK4PE - RS4PE - ... / K1       | x         |   |
| 41-01277 | SAL - 7/8 - RK4PE - RS4PE - 0,6 / K1 / 150 | 0,6m      | TPU, UL 20549,<br>black, 5x1,50mm <sup>2</sup><br>Cable: 781-K18500 |
| 41-01278 | SAL - 7/8 - RK4PE - RS4PE - 1 / K1 / 150   | 1m        |   |
| 41-01279 | SAL - 7/8 - RK4PE - RS4PE - 1,5 / K1 / 150 | 1,5m      |   |
| 41-01280 | SAL - 7/8 - RK4PE - RS4PE - 2 / K1 / 150   | 2m        |   |
| 41-xxxxx | SAL - 7/8 - RK4PE - RS4PE - ... / K1 / 150 | x         |   |

D see data sheet cable

|  |   |            |  |  |      |      |          |       |          |
|--|---|------------|--|--|------|------|----------|-------|----------|
| DO NOT ALTER CAD DRAWING BY HAND<br>Directive 2002/95/EC RoHS compliant  | Index: b 06.09.10 KH Ä3736<br>technical specification changed, part no.<br>cable in table added, neutral line added | dim. in mm | title: <b>Connecting cable 7/8",<br/>female connector axial -<br/>male connector axial</b> |  |      |      |          |       |          |
|  | tolerance of cable: L ≤ 4m: L + 40mm<br>L > 4m: L + 1%  |            |  | <table border="1"> <tr> <td>date</td> <td>name</td> </tr> <tr> <td>12.02.08</td> <td>Franz</td> </tr> <tr> <td>12.02.08</td> <td>Mankopf</td> </tr> </table> | date | name | 12.02.08 | Franz | 12.02.08 |
|  | date  | name       |  |  |      |      |          |       |          |
|  | 12.02.08  | Franz      |  |  |      |      |          |       |          |
| 12.02.08   | Mankopf   |            |  |  |      |      |          |       |          |
| THIS DRAWING MAY NOT BE COPIED OR<br>REPRODUCED IN ANY WAY, AND MAY NOT<br>BE PASSED ON TO A THIRD PARTY WITHOUT<br>WRITTEN PERMISSION.<br>OWNERSHIP AND COPYRIGHT OF CONEC GmbH |   | dwg no:    |  |  |      |      |          |       |          |
|  |   | 41K1A364   | part no:   |  |      |      |          |       |          |